

SKIL®

JIG SAW 4285 (F0154285 . .)



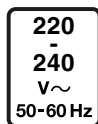
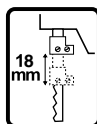
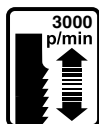
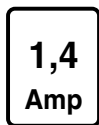
GB	ORIGINAL INSTRUCTIONS	7	GR	ΠΡΩΤΟΤΥΠΟ ΟΔΗΓΙΩΝ ΧΡΗΣΗΣ	53
F	NOTICE ORIGINALE	9	RO	INSTRUCȚIUNI DE FOLOSIRE ORIGINALE	57
D	ORIGINALBETRIEBSANLEITUNG	12	BG	ОРИГИНАЛНО РЪКОВОДСТВО ЗА ЕКСПЛОАТАЦИЯ	60
NL	ORIGINELE GEBRUIKSAANWIJZING	15	SK	PŔOVODNÝ NÁVOD NA POUŽITIE	63
S	BRUKSANVISNING I ORIGINAL	19	HR	ORIGINALNE UPUTE ZA RAD	66
DK	ORIGINAL BRUGSANVISNING	21	SRB	ORIGINALNO UPUTSTVO ZA RAD	69
N	ORIGINAL BRUKSANVISNING	24	SLO	IZVIRNA NAVODILA	71
FIN	ALKUPERÄISET OHJEET	27	EST	ALGUPÄRANE KASUTUSJUHEND	74
E	MANUAL ORIGINAL	29	LV	ORIĢINĀLĀ LIETOŠANAS PAMĀCĪBA	77
P	MANUAL ORIGINAL	32	LT	ORIGINALI INSTRUKCIJA	80
I	ISTRUZIONI ORIGINALI	35	MK	ИЗБОРНО УПАТСТВО ЗА РАБОТА	83
H	EREDETI HASZNÁLATI UTASÍTÁS	38	AL	UDHËZIMET ORIGJINALE	86
CZ	PŔVODNÍM NÁVODEM K POUŽÍVÁNÍ	42	AR	دليل الاستعمال	94
TR	ORİJİNAL İŞLETME TALİMATI	44	FA	راهنمای اصلی	92
PL	INSTRUKCJA ORYGINALNA	47			
UA	ОРИГІНАЛЬНА ІНСТРУКЦІЯ З ЕКСПЛУАТАЦІЇ	50			

www.skil.com

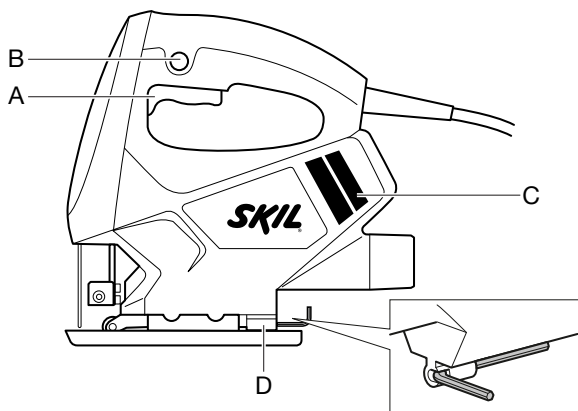


1

4285



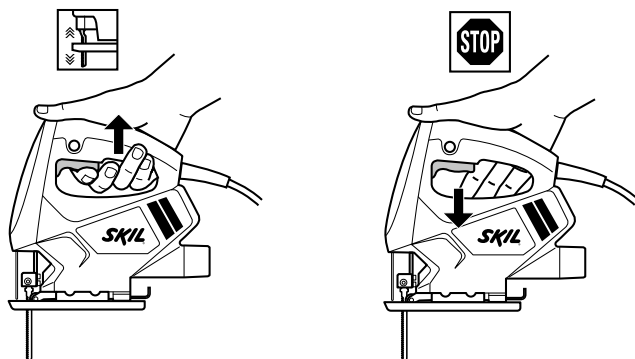
2

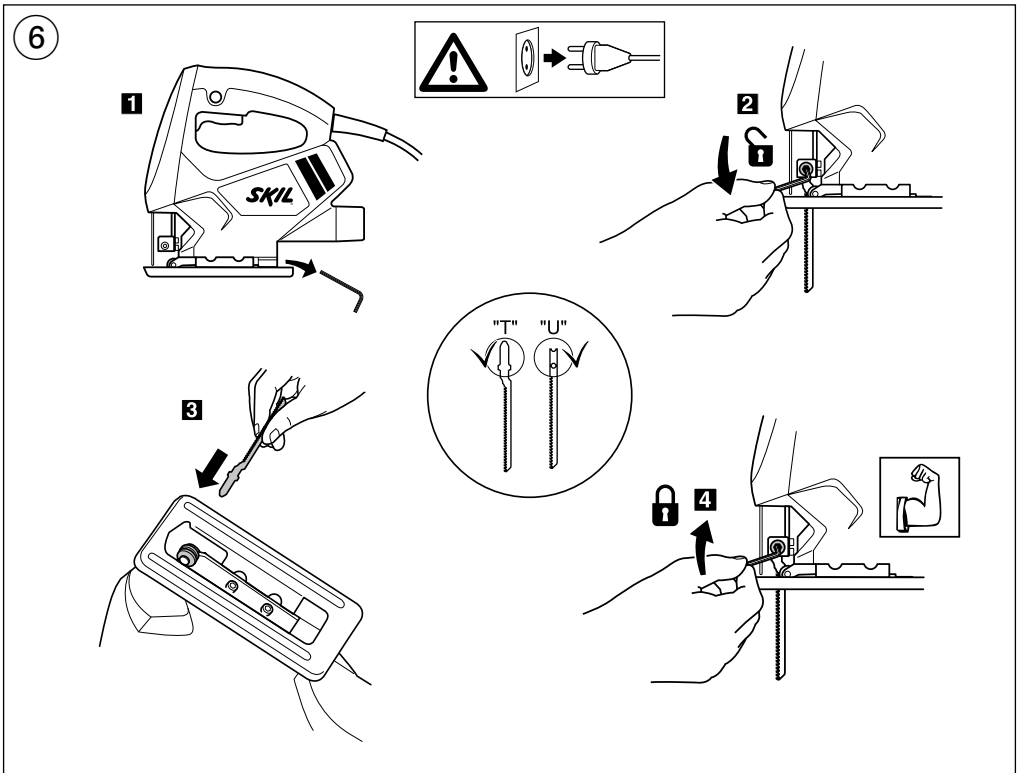
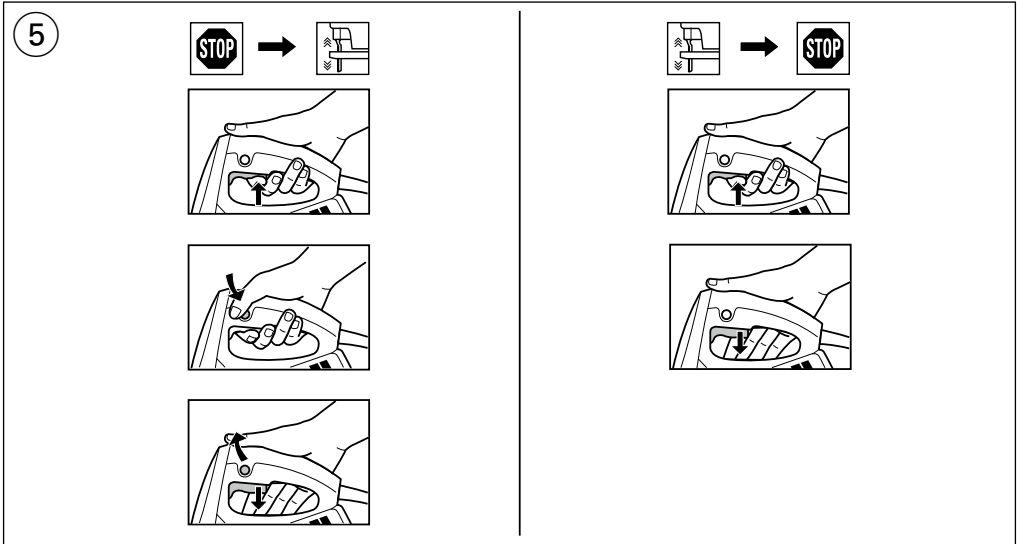


3

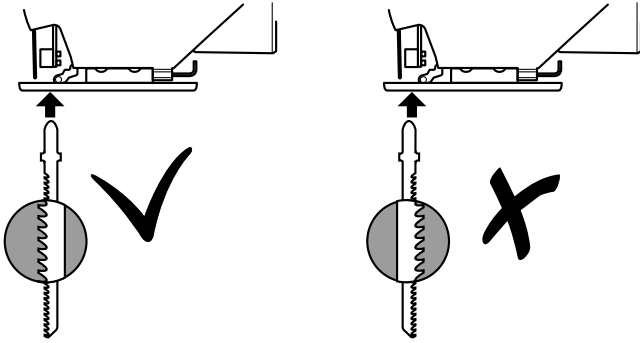


4

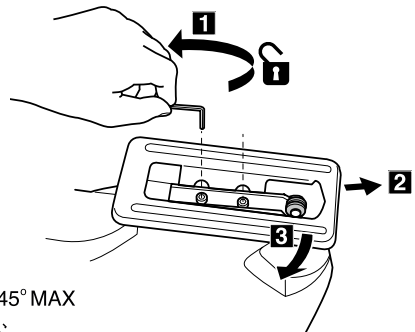
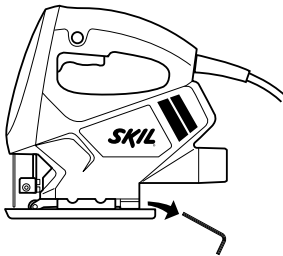
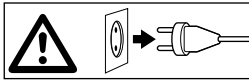




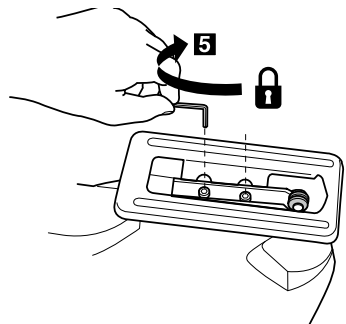
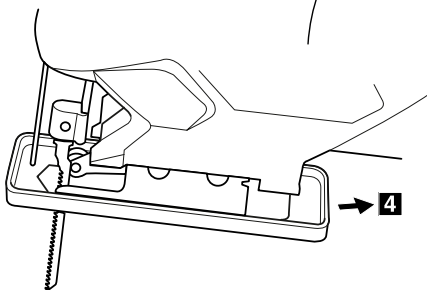
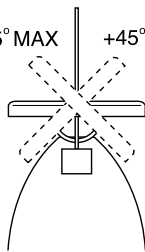
7



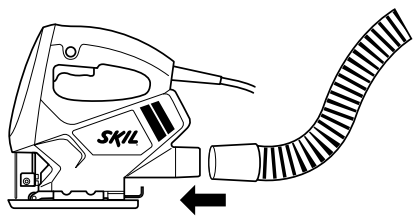
8



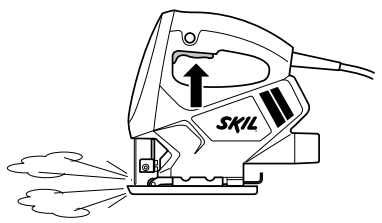
-45° MAX +45° MAX



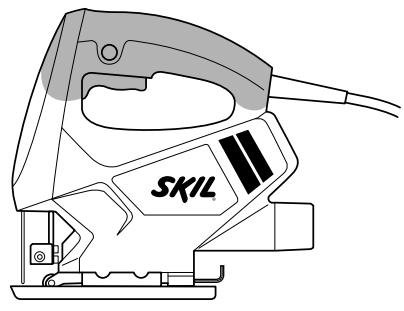
9 a



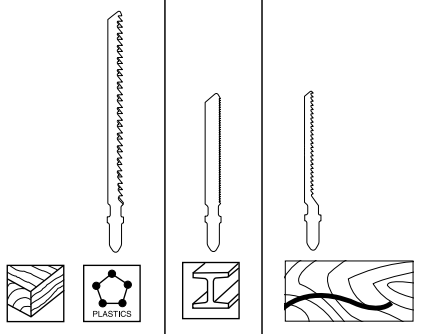
9 b



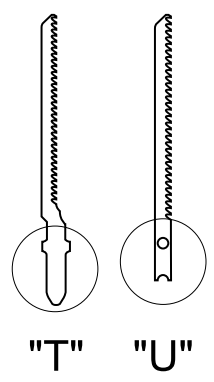
10



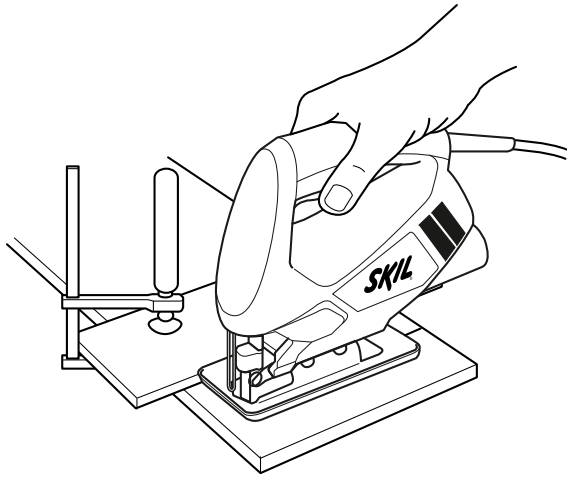
11



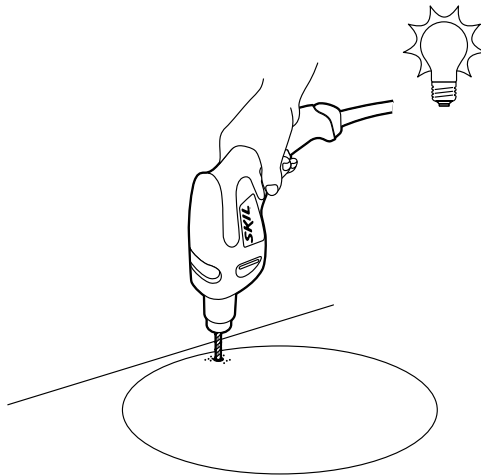
12



13



14



15



ACCESSORIES



WWW.SKIL.COM

INTRODUCTION

- This tool is intended for making cut-throughs and cut-outs in wood, plastic, metal, and is suitable for straight and curved cuts with mitre angles to 45°
- This tool is not intended for professional use
- Read and save this instruction manual ③

TECHNICAL DATA ①

TOOL ELEMENTS ②

- A Switch for on/off
- B Button for switch locking
- C Ventilation slots
- D Storage for hex key

SAFETY

GENERAL SAFETY INSTRUCTIONS

⚠ WARNING! Read all safety warnings and all instructions. Failure to follow the warnings and instructions may result in electric shock, fire and/or serious injury. **Save all warnings and instructions for future reference.** The term "power tool" in the warnings refers to your mains-operated (corded) power tool or battery-operated (cordless) power tool.

1) WORK AREA SAFETY

- a) **Keep work area clean and well lit.** Cluttered or dark areas invite accidents.
- b) **Do not operate power tools in explosive atmospheres, such as in the presence of flammable liquids, gases or dust.** Power tools create sparks which may ignite the dust or fumes.
- c) **Keep children and bystanders away while operating a power tool.** Distractions can cause you to lose control.

2) ELECTRICAL SAFETY

- a) **Power tool plugs must match the outlet. Never modify the plug in any way. Do not use any adapter plugs with earthed (grounded) power tools.** Unmodified plugs and matching outlets will reduce risk of electric shock.
- b) **Avoid body contact with earthed or grounded surfaces such as pipes, radiators, ranges and refrigerators.** There is an increased risk of electric shock if your body is earthed or grounded.
- c) **Do not expose power tools to rain or wet conditions.** Water entering a power tool will increase the risk of electric shock.
- d) **Do not abuse the cord. Never use the cord for carrying, pulling or unplugging the power tool. Keep cord away from heat, oil, sharp edges or moving parts.** Damaged or entangled cords increase the risk of electric shock.

- e) **When operating a power tool outdoors, use an extension cord suitable for outdoor use.** Use of a cord suitable for outdoor use reduces the risk of electric shock.
 - f) **If operating a power tool in a damp location is unavoidable, use an earth leakage circuit breaker.** Use of an earth leakage circuit breaker reduces the risk of electric shock.
- ### 3) PERSONAL SAFETY
- a) **Stay alert, watch what you are doing and use common sense when operating a power tool. Do not use a power tool while you are tired or under the influence of drugs, alcohol or medication.** A moment of inattention while operating power tools may result in serious personal injury.
 - b) **Use personal protective equipment. Always wear eye protection.** Protective equipment such as dust mask, non-skid safety shoes, hard hat, or hearing protection used for appropriate conditions will reduce personal injuries.
 - c) **Prevent unintentional starting. Ensure the switch is in the off-position before connecting to power source and/or battery pack, picking up or carrying the tool.** Carrying power tools with your finger on the switch or energising power tools that have the switch on invites accidents.
 - d) **Remove any adjusting key or wrench before turning the power tool on.** A wrench or a key left attached to a rotating part of the power tool may result in personal injury.
 - e) **Do not overreach. Keep proper footing and balance at all times.** This enables better control of the power tool in unexpected situations.
 - f) **Dress properly. Do not wear loose clothing or jewelry. Keep your hair, clothing and gloves away from moving parts.** Loose clothes, jewelry or long hair can be caught in moving parts.
 - g) **If devices are provided for the connection of dust extraction and collection facilities, ensure these are connected and properly used.** Use of dust collection can reduce dust-related hazards.
- ### 4) POWER TOOL USE AND CARE
- a) **Do not force the power tool. Use the correct power tool for your application.** The correct power tool will do the job better and safer at the rate for which it was designed.
 - b) **Do not use the power tool if the switch does not turn it on and off.** Any power tool that cannot be controlled with the switch is dangerous and must be repaired.
 - c) **Disconnect the plug from the power source and/or the battery pack from the power tool before making any adjustments, changing accessories, or storing power tools.** Such preventive safety measures reduce the risk of starting the power tool accidentally.
 - d) **Store idle power tools out of the reach of children and do not allow persons unfamiliar with the power tool or these instructions to operate the power tool.** Power tools are dangerous in the hands of untrained users.
 - e) **Maintain power tools. Check for misalignment or binding of moving parts, breakage of parts and any other condition that may affect the power tool's**

operation. If damaged, have the power tool repaired before use. Many accidents are caused by poorly maintained power tools.

- f) **Keep cutting tools sharp and clean.** Properly maintained cutting tools with sharp cutting edges are less likely to bind and are easier to control.
- g) **Use the power tool, accessories and tool bits etc., in accordance with these instructions, taking into account the working conditions and the work to be performed.** Use of the power tool for operations different from those intended could result in a hazardous situation.
- 5) SERVICE**
- a) **Have your power tool serviced by a qualified repair person using only identical replacement parts.** This will ensure that the safety of the power tool is maintained.

SAFETY INSTRUCTIONS FOR JIG SAWS

ELECTRICAL SAFETY

- Always check that the supply voltage is the same as the voltage indicated on the nameplate of the tool
- Never use the tool when cord is damaged; have it replaced by a qualified person
- If the cord is damaged or cut through while working, do not touch the cord, but immediately disconnect the plug
- Use completely unrolled and safe extension cords with a capacity of 16 Amps (U.K. 13 Amps)

PERSONAL SAFETY

- **Do not work materials containing asbestos** (asbestos is considered carcinogenic)
- This tool should not be used by people under the age of 16 years
- The noise level when working can exceed 85 dB(A); wear ear protection
- Wear protective goggles when working with materials which produce chips
- Dust from material such as paint containing lead, some wood species, minerals and metal may be harmful (contact with or inhalation of the dust may cause allergic reactions and/or respiratory diseases to the operator or bystanders); **wear a dust mask and work with a dust extraction device when connectable**
- Certain kinds of dust are classified as carcinogenic (such as oak and beech dust) especially in conjunction with additives for wood conditioning; **wear a dust mask and work with a dust extraction device when connectable**
- Follow the dust-related national requirements for the materials you want to work with
- **Always disconnect plug from power source before making any adjustment or changing any accessory**

BEFORE USE

- Check the functioning of the tool before each use and, in case of a defect, have it repaired immediately by a qualified person; never open the tool yourself
- Remove all obstacles on top of as well as underneath the cutting path before you start cutting
- Avoid damage that can be caused by screws, nails and other elements in your workpiece; remove them before you start working
- **Secure the workpiece** (a workpiece clamped with clamping devices or in a vice is held more securely than by hand)

DURING USE

- **Hold power tool by insulated gripping surfaces, when performing an operation where the cutting accessory may contact hidden wiring or its own cord** (a cutting accessory contacting a "live" wire may make exposed metal parts of the power tool "live" and could give the operator an electric shock)
- Always keep the cord away from moving parts of the tool; direct the cord to the rear, away from the tool
- In case of electrical or mechanical malfunction, immediately switch off the tool and disconnect the plug
- Keep hands away from the saw blade while the tool is in use

ACCESSORIES

- SKIL can assure flawless functioning of the tool only when original accessories are used
- Do not use a saw blade which is cracked, deformed or dull

OUTDOOR USE

- When used outdoors, connect the tool via a fault current (FI) circuit breaker with a triggering current of 30 mA maximum, and only use an extension cord which is intended for outdoor use and equipped with a splashproof coupling-socket

AFTER USE

- When you put away the tool, switch off the motor and ensure that all moving parts have come to a complete standstill

WHEN CONNECTING NEW 3-PIN PLUG (U.K. ONLY):

- Do not connect the blue (= neutral) or brown (= live) wire in the cord of this tool to the earth terminal of the plug
- If for any reason the old plug is cut off the cord of this tool, it must be disposed of safely and not left unattended

USE

- On/off ④
- Switch locking for continuous use ⑤
- Changing saw blades ⑥
 - ! **insert blade to full depth with teeth facing forward**
- ⑦
- Sawing at 15°/30°/45° ⑧
- Dust suction ⑨a
 - ! **do not use vacuum cleaner when cutting metal**
- Dust blowing ⑨b
- Operating the tool
 - before switching on the tool, ensure that front end of footplate rests flat on the workpiece
 - hold tool firmly with both hands, so you will have full control of the tool at all times
 - ! **while working, always hold the tool at the grey-coloured grip area(s) ⑩**
 - ensure that complete surface of footplate rests firmly on the workpiece
 - ! **ensure that the blade has come to a complete standstill, before you lift the tool from the workpiece**
 - keep ventilation slots C ② uncovered

APPLICATION ADVICE

- Use the appropriate saw blades ⑪
 - ! **tool accepts most commonly available T-shank and U-shank blades ⑫**

- When cutting metals, lubricate saw blade regularly with oil
- For an accurate straight cut, guide tool with footplate along the edge of a straight piece of wood ⁽¹³⁾
- Pre-drill a hole before making cut-outs ⁽¹⁴⁾
- Splinter-free cutting
 - cover cutting-line with several layers of wide tape before cutting
 - always face the good side of the workpiece down
- For more tips see www.skil.com

MAINTENANCE / SERVICE

- This tool is not intended for professional use
- Always keep tool and cord clean (especially ventilation slots C ⁽²⁾)
 - ! **disconnect the plug before cleaning**
- If the tool should fail despite the care taken in manufacturing and testing procedures, repair should be carried out by an after-sales service centre for SKIL power tools
 - send the tool **undismantled** together with proof of purchase to your dealer or the nearest SKIL service station (addresses as well as the service diagram of the tool are listed on www.skil.com)

ENVIRONMENT

- **Do not dispose of electric tools, accessories and packaging together with household waste material** (only for EU countries)
 - in observance of European Directive 2012/19/EC on waste of electric and electronic equipment and its implementation in accordance with national law, electric tools that have reached the end of their life must be collected separately and returned to an environmentally compatible recycling facility
 - symbol ⁽¹⁵⁾ will remind you of this when the need for disposing occurs

DECLARATION OF CONFORMITY C E

Jig saw 4285

Technical data ⁽¹⁾

- We declare under our sole responsibility that the product described under "Technical data" is in conformity with the following standards or standardization documents: EN 60745, EN 61000, EN 55014, in accordance with the provisions of the directives 2014/30/EU, 2006/42/EC, 2011/65/EU
- **Technical file at:** SKIL Europe BV (PT-SEU/ENG1), 4825 BD Breda, NL

Marijn van der Hoofden
Operations & Engineering

Olaf Dijkgraaf
Approval Manager




SKIL Europe BV, 4825 BD Breda, NL

02.02.2015

NOISE/VIBRATION

- Measured in accordance with EN 60745 the sound pressure level of this tool is 84 dB(A) and the sound power level 95 dB(A) (standard deviation: 3 dB), and the vibration * (triax vector sum; uncertainty K = 1.5 m/s²)
 - * when cutting wood 11.9 m/s²
 - * when cutting metal 12.4 m/s²
- The vibration emission level has been measured in accordance with a standardised test given in EN 60745; it may be used to compare one tool with another and as a preliminary assessment of exposure to vibration when using the tool for the applications mentioned
 - using the tool for different applications, or with different or poorly maintained accessories, may significantly **increase** the exposure level
 - the times when the tool is switched off or when it is running but not actually doing the job, may significantly **reduce** the exposure level
- ! **protect yourself against the effects of vibration by maintaining the tool and its accessories, keeping your hands warm, and organizing your work patterns**

F

Scie sauteuse

4285

INTRODUCTION

- Cet outil est conçu pour effectuer des découpes et coupes dans le bois, les matières plastiques, le métal, et est approprié pour des coupes droites et curvilignes avec des angles d'onglet jusqu'à 45°
- Cet outil n'est conçu pour un usage professionnel
- Lisez et conservez ce manuel d'instruction ⁽³⁾

CARACTERISTIQUES TECHNIQUES ⁽¹⁾

ELEMENTS DE L'OUTIL ⁽²⁾

- A Interrupteur pour mise en marche/arrêt
- B Bouton de blocage de l'interrupteur
- C Fentes de ventilation
- D Rangement pour la clé hexagonale

SECURITE

INSTRUCTIONS GENERALES DE SECURITE

⚠ ATTENTION! Lisez tous les avertissements de sécurité et toutes les instructions. Ne pas suivre les avertissements et instructions peut entraîner un choc électrique, un incendie et/ou de graves blessures sur les personnes. **Conservez tous les avertissements et toutes les instructions pour pouvoir s'y reporter ultérieurement.** La notion d'"outil électroportatif" dans les avertissements se rapporte à des outils électriques raccordés au secteur (avec câble de raccordement) et à des outils électriques à batterie (sans câble de raccordement).

1) SECURITE DE LA ZONE DE TRAVAIL

- a) **Maintenez l'endroit de travail propre et bien éclairé.**
Un lieu de travail en désordre ou mal éclairé augmente le risque d'accidents.
- b) **N'utilisez pas l'appareil dans un environnement présentant des risques d'explosion et où se trouvent des liquides, des gaz ou poussières inflammables.** Les outils électroportatifs génèrent des étincelles risquant d'enflammer les poussières ou les vapeurs.
- c) **Tenez les enfants et autres personnes éloignés durant l'utilisation de l'outil électroportatif.** En cas d'inattention vous risquez de perdre le contrôle sur l'appareil.

2) SECURITE RELATIVE AU SYSTEME ELECTRIQUE

- a) **La fiche de secteur de l'outil électroportatif doit être appropriée à la prise de courant. Ne modifiez en aucun cas la fiche. N'utilisez pas de fiches d'adaptateur avec des appareils avec mise à la terre.** Les fiches non modifiées et les prises de courant appropriées réduisent le risque de choc électrique.
- b) **Evitez le contact physique avec des surfaces mises à la terre telles que tuyaux, radiateurs, fours et réfrigérateurs.** Il y a un risque élevé de choc électrique au cas où votre corps serait relié à la terre.
- c) **N'exposez pas l'outil électroportatif à la pluie ou à l'humidité.** La pénétration d'eau dans un outil électroportatif augmente le risque d'un choc électrique.
- d) **N'utilisez pas le câble à d'autres fins que celles prévues, n'utilisez pas le câble pour porter l'appareil ou pour l'accrocher ou encore pour le débrancher de la prise de courant. Maintenez le câble éloigné des sources de chaleur, des parties grasses, des bords tranchants ou des parties de l'appareil en rotation.** Un câble endommagé ou torsadé augmente le risque d'un choc électrique.
- e) **Au cas où vous utiliseriez l'outil électroportatif à l'extérieur, utilisez une rallonge autorisée homologuée pour les applications extérieures.** L'utilisation d'une rallonge électrique homologuée pour les applications extérieures réduit le risque d'un choc électrique.
- f) **Si l'usage d'un outil dans un emplacement humide est inévitable, utilisez un disjoncteur de fuite à la terre.** L'utilisation d'un disjoncteur de fuite à la terre réduit le risque de choc électrique.

3) SECURITE DES PERSONNES

- a) **Restez vigilant, surveillez ce que vous faites. Faites preuve de bon sens en utilisant l'outil électroportatif. N'utilisez pas l'appareil lorsque vous êtes fatigué ou après avoir consommé de l'alcool, des drogues ou avoir pris des médicaments.** Un moment d'inattention lors de l'utilisation de l'appareil peut entraîner de graves blessures sur les personnes.
- b) **Portez des équipements de protection. Portez toujours des lunettes de protection.** Le fait de porter des équipements de protection personnels tels que masque anti-poussières, chaussures de sécurité antidérapantes, casque de protection ou protection acoustique suivant le travail à effectuer, réduit le risque de blessures.

- c) **Evitez tout démarrage intempestif. S'assurez que l'interrupteur est en position arrêté avant de brancher l'outil au secteur et/ou au bloc de batteries, de le ramasser ou de le porter.** Porter les outils en ayant le doigt sur l'interrupteur ou brancher des outils dont l'interrupteur est en position marche est source d'accidents.
 - d) **Enlevez tout outil de réglage ou toute clé avant de mettre l'appareil en fonctionnement.** Une clé ou un outil se trouvant sur une partie en rotation peut causer des blessures.
 - e) **Ne surestimez pas vos capacités. Veillez à garder toujours une position stable et équilibrée.** Ceci vous permet de mieux contrôler l'appareil dans des situations inattendues.
 - f) **Portez des vêtements appropriés. Ne portez pas de vêtements amples ni de bijoux. Maintenez cheveux, vêtements et gants éloignés des parties de l'appareil en rotation.** Des vêtements amples, des bijoux ou des cheveux longs peuvent être happés par des pièces en mouvement.
 - g) **Si des dispositifs servant à aspirer ou à recueillir les poussières doivent être utilisés, vérifiez que ceux-ci soient effectivement raccordés et qu'ils sont correctement utilisés.** L'utilisation des collecteurs de poussière réduit les dangers dus aux poussières.
- ### 4) UTILISATION ET EMPLOI SOIGNEUX DE L'OUTIL ELECTROPORTATIF
- a) **N' surchargez pas l'appareil. Utilisez l'outil électroportatif approprié au travail à effectuer.** Avec l'outil électroportatif approprié, vous travaillerez mieux et avec plus de sécurité à la vitesse pour laquelle il est prévu.
 - b) **N'utilisez pas un outil électroportatif dont l'interrupteur est défectueux.** Un outil électroportatif qui ne peut plus être mis en ou hors fonctionnement est dangereux et doit être réparé.
 - c) **Débranchez la fiche de la source d'alimentation en courant et/ou le bloc de batteries de l'outil avant tout réglage, changement d'accessoires ou avant de ranger l'outil.** Cette mesure de précaution empêche une mise en fonctionnement par mégarde.
 - d) **Gardez les outils électroportatifs non utilisés hors de portée des enfants. Ne permettez pas l'utilisation de l'appareil à des personnes qui ne se sont pas familiarisées avec celui-ci ou qui n'ont pas lu ces instructions.** Les outils électroportatifs sont dangereux lorsqu'ils sont utilisés par des personnes non initiées.
 - e) **Prenez soin des outils électroportatifs. Vérifiez que les parties en mouvement fonctionnent correctement et qu'elles ne soient pas coincées, et contrôlez si des parties sont cassées ou endommagées de telle sorte que le bon fonctionnement de l'appareil s'en trouve entravé. Faites réparer les parties endommagées avant d'utiliser l'appareil.** De nombreux accidents sont dus à des outils électroportatifs mal entretenus.
 - f) **Maintenez les outils de coupe aiguisés et propres.** Des outils soigneusement entretenus avec des bords tranchants bien aiguisés se coincent moins souvent et peuvent être guidés plus facilement.

- g) **Utilisez les outils électroportatifs, les accessoires, les outils à monter etc. conformément à ces instructions. Tenez compte également des conditions de travail et du travail à effectuer.**

L'utilisation des outils électroportatifs à d'autres fins que celles prévues peut entraîner des situations dangereuses.

5) SERVICE

- a) **Ne faites réparer votre outil électroportatif que par un personnel qualifié et seulement avec des pièces de rechange d'origine.** Ceci permet d'assurer la sécurité de l'appareil.

INSTRUCTIONS DE SECURITE POUR SCIES SAUTEUSES

SECURITE RELATIVE AU SYSTEME ELECTRIQUE

- Contrôlez toujours si la tension secteur correspond à la tension indiquée sur la plaquette signalétique de l'outil
- N'utilisez jamais d'outil avec un câble endommagé; faites-le remplacer par un technicien qualifié
- Si le câble est endommagé ou rompu pendant le travail, n'y touchez pas, mais débranchez immédiatement la prise
- Utilisez un câble de prolongement complètement déroulé et de bonne qualité d'une capacité de 16 A

SECURITE DES PERSONNES

- **Ne travaillez pas de matériaux contenant de l'amiante** (l'amiante est considérée comme étant cancérigène)
- Cet outil ne doit pas être utilisé par des personnes de moins de 16 ans
- Le niveau sonore en fonctionnement peut dépasser 85 dB(A); munissez-vous de casques anti-bruit
- Portez des lunettes protectrices lors de travaux sur des pièces productrices de copeaux
- La poussière de matériaux, tels que la peinture contenant du plomb, certaines espèces de bois, certains minéraux et différents métaux, peut être nocive (le contact avec la poussière ou son inhalation peut provoquer des réactions allergiques et/ou des maladies respiratoires chez l'opérateur ou des personnes se trouvant à proximité); **portez un masque antipoussières et travaillez avec un appareil de dé poussiérage lorsqu'il est possible d'en connecter un**
- Certains types de poussières sont classifiés comme étant cancérigènes (tels que la poussière de chêne ou de hêtre), en particulier en combinaison avec des additifs de traitement du bois; **portez un masque antipoussières et travaillez avec un appareil de dé poussiérage lorsqu'il est possible d'en connecter un**
- Suivez les directives nationales relatives au dé poussiérage pour les matériaux à travailler
- **Débranchez toujours l'outil avant tout réglage ou changement d'accessoire**

AVANT L'USAGE

- Contrôlez le fonctionnement de l'outil avant chaque manipulation et, en cas d'anomalies, faites réparer immédiatement par une personne qualifiée; ne jamais ouvrez l'outil soi-même
- Enlevez tout corps étranger du tracé avant d'effectuer toute coupe

- Faites attention aux vis, clous ou autres éléments qui pourraient se trouver dans la pièce à travailler et qui risqueraient d'endommager très fortement votre outil; enlevez-les avant de commencer le travail
- **Fixez solidement la pièce à travailler** (une pièce fixée à l'aide de dispositifs de fixation est davantage assurée que si elle était tenue à la main)

PENDANT L'USAGE

- **Tenez l'outil par les surfaces de préhension isolées, lors de la réalisation d'une opération au cours de laquelle l'accessoire de coupe peut entrer en contact avec un câblage non apparent ou son propre câble d'alimentation** (le contact avec un fil sous tension peut également mettre sous tension les parties métalliques de l'outil électrique et provoquer un choc électrique sur l'opérateur)
- Tenez toujours le câble éloigné des parties mobiles de l'outil; orientez le câble vers l'arrière le plus loin possible de l'outil
- En cas de dysfonctionnement électrique ou mécanique, mettez directement l'outil hors service et débranchez la fiche
- Évitez de laisser les mains près de la lame de scie lorsque l'outil est en marche

ACCESSOIRES

- SKIL ne peut se porter garant du bon fonctionnement de cet outil que s'il a été utilisé avec les accessoires d'origine
- Ne pas utiliser une lame fendue, déformée ou émoussée

UTILISATION A L'EXTERIEUR

- En cas d'usage à l'extérieur, branchez l'outil par l'intermédiaire d'un coupe-circuit (FI) avec courant de réaction de 30 mA au maximum, et utilisez uniquement un câble de prolongement spécial pour l'extérieur équipé d'une prise résistant aux éclaboussures

APRES L'USAGE

- Lorsque vous rangez votre outil, le moteur doit être coupé et les pièces mobiles complètement arrêtées

UTILISATION

- Marche/arrêt ④
- Blocage de l'interrupteur pour marche continue ⑤
- Changement des lames de scie ⑥
 - ! insérez la lame à fond, les dents vers l'avant ⑦
- Sciage à 15°/30°/45° ⑧
- Aspiration de poussières ⑨a
 - ! ne pas utiliser l'aspirateur quand vous coupez des métaux
- Soufflerie de poussières ⑨b
- Utilisation de l'outil
 - avant de mettre l'outil en marche, toujours s'assurer que le devant de la semelle soit bien à plat sur la pièce à travailler
 - tenez l'outil fermement dans les deux mains pour obtenir pleinement le contrôle de celui-ci
- ! lorsque vous travaillez, tenez toujours l'outil par la(les) zone(s) de couleur grise ⑩
- s'assurez que toute la surface de la semelle repose bien sur la pièce à travailler
- ! avant de retirer l'outil de la pièce à travailler, s'assurez que la lame se soit bien stabilisée
- veillez à ce que les fentes de ventilation C ② soient découvertes

CONSEILS D'UTILISATION

- Utilisez les lames de scie appropriées ①
! l'outil accepte les lames avec queue en T et en U les plus utilisées en général ⑫
- Quand vous coupez des métaux, lubrifiez régulièrement la lame de scie de lubrifiant
- Pour effectuer une coupe droite précise, guidez l'outil avec la plaque de base le long du côté d'un morceau de bois rectiligne ⑬
- Faites un avant-trou avant d'effectuer des découpes ⑭
- Couper sans éclats
 - couvrez la ligne de coupe des plusieurs couches d'un large ruban adhésif avant d'effectuer la coupe
 - toujours inversez la partie visible de la pièce à travailler
- Pour des suggestions complémentaires voyez www.skil.com

ENTRETIEN / SERVICE APRES-VENTE

- Cet outil n'est pas conçu pour un usage professionnel
- Gardez toujours votre outil et le câble propres (spécialement les aérations C ②)
! débranchez la fiche avant le nettoyage
- Si, malgré tous les soins apportés à la fabrication et au contrôle de l'outil, celui-ci devait avoir un défaut, la réparation ne doit être confiée qu'à une station de service après-vente agréée pour outillage SKIL
 - retournez l'outil **non démonté** avec votre preuve d'achat au revendeur ou au centre de service après-vente SKIL le plus proche (les adresses ainsi que la vue éclatée de l'outil figurent sur www.skil.com)

ENVIRONNEMENT

- **Ne jetez pas les outils électriques, les accessoires et l'emballage dans les ordures ménagères** (pour les pays européens uniquement)
 - conformément à la directive européenne 2012/19/EG relative aux déchets d'équipements électriques ou électroniques, et à sa transposition dans la législation nationale, les outils électriques usés doivent être collectés séparément et faire l'objet d'un recyclage respectueux de l'environnement
 - le symbole ⑮ vous le rappellera au moment de la mise au rebut de l'outil

DÉCLARATION DE CONFORMITÉ CE

Scie sauteuse 4285

Caractéristiques techniques ①

- Nous déclarons sous notre propre responsabilité que le produit décrit sous "Caractéristiques techniques" est en conformité avec les normes ou documents normatifs suivants: EN 60745, EN 61000, EN 55014, conformément aux termes des réglementations en vigueur 2014/30/UE, 2006/42/CE, 2011/65/UE

- **Dossier technique auprès de:** SKIL Europe BV (PT-SEU/ENG1), 4825 BD Breda, NL

Marijn van der Hoofden
Operations & Engineering

Olaf Dijkgraaf
Approval Manager

SKIL Europe BV, 4825 BD Breda, NL

02.02.2015

BRUIT/VIBRATION

- Mesuré selon EN 60745 le niveau de la pression sonore de cet outil est 84 dB(A) et le niveau de la puissance sonore 95 dB(A) (déviation standard: 3 dB), et la vibration
 - * (somme vectorielle des trois axes directionnels; incertitude K = 1,5 m/s²)
 - * pendant le coupage du bois 11,9 m/s²
 - * pendant le coupage du métal 12,4 m/s²
 - Le niveau de vibrations émises a été mesuré conformément à l'essai normalisé de la norme EN 60745; il peut être utilisé pour comparer plusieurs outils et pour réaliser une évaluation préliminaire de l'exposition aux vibrations lors de l'utilisation de l'outil pour les applications mentionnées
 - l'utilisation de l'outil dans d'autres applications, ou avec des accessoires différents ou mal entretenus, peut considérablement **augmenter** le niveau d'exposition
 - la mise hors tension de l'outil et sa non-utilisation pendant qu'il est allumé peuvent considérablement **réduire** le niveau d'exposition
- ! protégez-vous contre les effets des vibrations par un entretien correct de l'outil et de ses accessoires, en gardant vos mains chaudes et en structurant vos schémas de travail**

D

Stichsäge

4285

EINLEITUNG

- Dieses Werkzeug ist bestimmt Trennschnitte und Ausschnitte in Holz, Kunststoff, Metall auszuführen, und ist geeignet für gerade und kurvige Schnitte mit Gehrungswinkel bis 45°
- Dieses Werkzeug eignet sich nicht für den professionellen Einsatz
- Bitte diese Bedienungsanleitung sorgfältig lesen und aufbewahren ③

TECHNISCHE DATEN ①

WERKZEUGKOMPONENTEN ②

- A Schalter zum Ein-Aus-Schalten
- B Knopf zum Feststellen des Schalters
- C Lüftungsschlitze
- D Halterung für Sechskantschlüssel

SICHERHEIT

ALLGEMEINE SICHERHEITSHINWEISE

⚠ ACHTUNG! Lesen Sie alle Sicherheitshinweise und Anweisungen. Versäumnisse bei der Einhaltung der Sicherheitshinweise und Anweisungen können elektrischen Schlag, Brand und/oder schwere Verletzungen verursachen. **Bewahren Sie alle Sicherheitshinweise und Anweisungen für die Zukunft auf.** Der in den Sicherheitshinweisen verwendete Begriff "Elektrowerkzeug" bezieht sich auf netzbetriebene Elektrowerkzeuge (mit Netzkabel) und auf akkubetriebene Elektrowerkzeuge (ohne Netzkabel).

1) ARBEITSPLATZSICHERHEIT

- a) **Halten Sie Ihren Arbeitsbereich sauber und gut beleuchtet.** Unordnung oder unbeleuchtete Arbeitsbereiche können zu Unfällen führen.
- b) **Arbeiten Sie mit dem Gerät nicht in explosionsgefährdeter Umgebung, in der sich brennbare Flüssigkeiten, Gase oder Stäube befinden.** Elektrowerkzeuge erzeugen Funken, die den Staub oder die Dämpfe entzünden können.
- c) **Halten Sie Kinder und andere Personen während der Benutzung des Elektrowerkzeugs fern.** Bei Ablenkung können Sie die Kontrolle über das Gerät verlieren.

2) ELEKTRISCHE SICHERHEIT

- a) **Der Anschlussstecker des Gerätes muss in die Steckdose passen. Der Stecker darf in keiner Weise verändert werden. Verwenden Sie keine Adapterstecker gemeinsam mit schutzgeerdeten Geräten.** Unveränderte Stecker und passende Steckdosen verringern das Risiko eines elektrischen Schlages.
- b) **Vermeiden Sie Körperkontakt mit geerdeten Oberflächen, wie von Rohren, Heizungen, Herden und Kühlschränken.** Es besteht ein erhöhtes Risiko durch elektrischen Schlag, wenn Ihr Körper geerdet ist.
- c) **Halten Sie das Gerät von Regen oder Nässe fern.** Das Eindringen von Wasser in ein Elektrogerät erhöht das Risiko eines elektrischen Schlages.
- d) **Zweckentfremden Sie das Kabel nicht, um das Gerät zu tragen, aufzuhängen oder um den Stecker aus der Steckdose zu ziehen. Halten Sie das Kabel fern von Hitze, Öl, scharfen Kanten oder sich bewegenden Geräteteilen.** Beschädigte oder verwickelte Kabel erhöhen das Risiko eines elektrischen Schlages.
- e) **Wenn Sie mit einem Elektrowerkzeug im Freien arbeiten, verwenden Sie nur Verlängerungskabel, die auch für den Außenbereich zugelassen sind.** Die Anwendung eines für den Außenbereich geeigneten Verlängerungskabels verringert das Risiko eines elektrischen Schlages.
- f) **Wenn der Betrieb des Elektrowerkzeuges in feuchter Umgebung nicht vermeidbar ist, verwenden Sie einen Fehlerstromschutzschalter.** Der Einsatz eines Fehlerstromschutzschalters vermindert das Risiko eines elektrischen Schlages.

3) SICHERHEIT VON PERSONEN

- a) **Seien Sie aufmerksam, achten Sie darauf, was Sie tun, und gehen Sie mit Vernunft an die Arbeit mit einem Elektrowerkzeug. Benutzen Sie das Gerät nicht, wenn Sie müde sind oder unter dem Einfluss von Drogen, Alkohol oder Medikamenten stehen.** Ein Moment der Unachtsamkeit beim Gebrauch des Gerätes kann zu ernsthaften Verletzungen führen.
 - b) **Tragen Sie persönliche Schutzausrüstung und immer eine Schutzbrille.** Das Tragen persönlicher Schutzausrüstung, wie Staubmaske, rutschfeste Sicherheitsschuhe, Schutzhelm oder Gehörschutz, je nach Art und Einsatz des Elektrowerkzeuges, verringert das Risiko von Verletzungen.
 - c) **Vermeiden Sie eine unbeabsichtigte Inbetriebnahme. Vergewissern Sie sich, dass das Elektrowerkzeug ausgeschaltet ist, bevor Sie es an die Stromversorgung und/oder den Akku anschließen, es aufnehmen oder tragen.** Wenn Sie beim Tragen des Elektrowerkzeuges den Finger am Schalter haben oder das Gerät eingeschaltet an die Stromversorgung anschließen, kann dies zu Unfällen führen.
 - d) **Entfernen Sie Einstellwerkzeuge oder Schraubenschlüssel, bevor Sie das Gerät einschalten.** Ein Werkzeug oder Schlüssel, der sich in einem drehenden Geräteteil befindet, kann zu Verletzungen führen.
 - e) **Überschätzen Sie sich nicht. Sorgen Sie für einen sicheren Stand und halten Sie jederzeit das Gleichgewicht.** Dadurch können Sie das Gerät in unerwarteten Situationen besser kontrollieren.
 - f) **Tragen Sie geeignete Kleidung. Tragen Sie keine weite Kleidung oder Schmuck. Halten Sie Haare, Kleidung und Handschuhe fern von sich bewegenden Teilen.** Lockere Kleidung, Schmuck oder lange Haare können von sich bewegenden Teilen erfasst werden.
 - g) **Wenn Staubabsaug- und -auffangeinrichtungen montiert werden können, vergewissern Sie sich, dass diese angeschlossen sind und richtig verwendet werden.** Verwendung einer Staubabsaugung verringert Gefährdungen durch Staub.
- ### 4) SORGFÄLTIGER UMGANG UND GEBRAUCH VON ELEKTROWERKZEUGEN
- a) **Überlasten Sie das Gerät nicht. Verwenden Sie für Ihre Arbeit das dafür bestimmte Elektrowerkzeug.** Mit dem passenden Elektrowerkzeug arbeiten Sie besser und sicherer im angegebenen Leistungsbereich.
 - b) **Benutzen Sie kein Elektrowerkzeug, dessen Schalter defekt ist.** Ein Elektrowerkzeug, das sich nicht mehr ein- oder ausschalten lässt, ist gefährlich und muss repariert werden.
 - c) **Ziehen Sie den Stecker aus der Steckdose und/oder entfernen Sie den Akku, bevor Sie Geräteeinstellungen vornehmen, Zubehörteile wechseln oder das Gerät weglegen.** Diese Vorsichtsmaßnahme verhindert den unbeabsichtigten Start des Geräts.
 - d) **Bewahren Sie unbenutzte Elektrowerkzeuge außerhalb der Reichweite von Kindern auf. Lassen Sie Personen das Gerät nicht benutzen, die mit**

diesem nicht vertraut sind oder diese Anweisungen nicht gelesen haben. Elektrowerkzeuge sind gefährlich, wenn Sie von unerfahrenen Personen benutzt werden.

- e) **Pflegen Sie das Gerät mit Sorgfalt. Kontrollieren Sie, ob bewegliche Geräteteile einwandfrei funktionieren und nicht klemmen, ob Teile gebrochen oder so beschädigt sind, dass die Funktion des Gerätes beeinträchtigt ist. Lassen Sie beschädigte Teile vor dem Einsatz des Geräts reparieren.** Viele Unfälle haben ihre Ursache in schlecht gewarteten Elektrowerkzeugen.
- f) **Halten Sie Schneidwerkzeuge scharf und sauber.** Sorgfältig gepflegte Schneidwerkzeuge mit scharfen Schneidkanten verklemmen sich weniger und sind leichter zu führen.
- g) **Verwenden Sie Elektrowerkzeug, Zubehör, Einsatzwerkzeuge usw. entsprechend diesen Anweisungen. Berücksichtigen Sie dabei die Arbeitsbedingungen und die auszuführende Tätigkeit.** Der Gebrauch von Elektrowerkzeugen für andere als die vorgesehenen Anwendungen kann zu gefährlichen Situationen führen.

5) SERVICE

- a) **Lassen Sie Ihr Gerät nur von qualifiziertem Fachpersonal und nur mit Original-Ersatzteilen reparieren.** Damit wird sichergestellt, dass die Sicherheit des Geräts erhalten bleibt.

SICHERHEITSHINWEISE FÜR STICHSÄGEN

ELEKTRISCHE SICHERHEIT

- Stets nachprüfen, daß die Netzspannung mit der auf dem Typenschild des Werkzeuges angegebenen Spannung übereinstimmt
- Werkzeug nicht weiter verwenden, wenn das Kabel beschädigt ist; lassen Sie dieses von einem anerkannten Elektrofachmann ersetzen
- Wird bei der Arbeit das Kabel beschädigt oder durchtrennt, Kabel nicht berühren, sondern sofort den Netzstecker ziehen
- Bei Benutzung von Verlängerungskabeln ist darauf zu achten, daß das Kabel vollständig abgerollt ist und eine Kapazität von 16 A hat

SICHERHEIT VON PERSONEN

- **Bearbeiten Sie kein asbesthaltiges Material** (Asbest gilt als krebserregend)
- Der Benutzer dieses Werkzeuges sollte älter als 16 Jahre sein
- Der Geräuschpegel beim Arbeiten kann 85 dB(A) überschreiten; Gehörschutz tragen
- Beim Bearbeiten spannerzeugender Materialien Schutzbrille tragen
- Staub von Materialien wie Farbe, die Blei enthält, einigen Holzarten, Mineralien und Metall kann schädlich sein (Kontakt mit oder Einatmen des Staubs kann zu allergischen Reaktionen und/oder Atemwegskrankheiten beim Bediener oder Umstehenden führen); **tragen Sie eine Staubmaske und arbeiten Sie mit einem Staubabsaugungssystem, wenn ein solches angeschlossen werden kann**
- Bestimmte Arten von Staub sind als karzinogen klassifiziert (beispielsweise Eichen- und Buchenholzstaub), insbesondere in Verbindung mit Zusätzen für die Holzvorbehandlung; **tragen Sie eine**

Staubmaske und arbeiten Sie mit einem Staubabsaugungssystem, wenn ein solches angeschlossen werden kann

- Beachten Sie die für Ihr verwendetes Verbrauchsmaterial gültigen nationalen Staubschutzvorgaben
- **Ziehen Sie grundsätzlich den Netzstecker, bevor Sie beliebige Änderungen an den Einstellungen oder einen Zubehörwechsel vornehmen**

VOR DER ANWENDUNG

- Die Funktion des Werkzeuges vor jeder Anwendung prüfen und es bei einem Defekt sofort von einer qualifizierten Person reparieren lassen; das Werkzeug niemals selbst öffnen
- Bevor Sie mit dem Schnitt beginnen, alle Hindernisse von der Ober- wie auch von der Unterfläche entfernen, die auf der Schnittstrecke liegen
- Beschädigungen durch Schrauben, Nägel und ähnliches an Ihrem Werkstück vermeiden; diese vor Arbeitsbeginn entfernen
- **Sichern Sie das Werkstück** (ein mit Spannvorrichtungen oder Schraubstock festgehaltenes Werkstück ist sicherer gehalten als mit der Hand)

WÄHREND DER ANWENDUNG

- **Halten Sie das Elektrowerkzeug an den isolierten Griffflächen, wenn Sie Arbeiten ausführen, bei denen das Einsatzwerkzeug verborgene Stromleitungen oder das eigene Netzkabel treffen kann** (der Kontakt mit einer spannungsführenden Leitung kann auch Metallteile des Elektrowerkzeuges unter Spannung setzen und zu einem elektrischen Schlag führen)
- Das Kabel immer von umlaufenden Teilen des Werkzeuges fernhalten; das Kabel nach hinten vom Werkzeug weg führen
- Bei elektrischer oder mechanischer Fehlfunktion das Werkzeug sofort ausschalten und den Netzstecker ziehen
- Halten Sie Hände von dem Sägeblatt fern, wenn das Werkzeug eingeschaltet ist

ZUBEHÖR

- SKIL kann nur dann die einwandfreie Funktion des Werkzeuges zusichern, wenn Original-Zubehör verwendet wird
- Rissige oder stumpfe Sägeblätter, oder solche, die ihre Form verändert haben, dürfen nicht verwendet werden

ANWENDUNG IM FREIEN

- Bei Anwendung im Freien das Werkzeug über einen Fehlerstrom- (FI) Schutzschalter mit einem Auslösestrom von 30 mA max. anschließen, und nur ein Verlängerungskabel benutzen, das für die Anwendung im Freien vorgesehen und mit einer spritzwassergeschützten Anschlußstelle versehen ist

NACH DER ANWENDUNG

- Sobald Sie sich von Ihrem Werkzeug entfernen, sollte dieses ausgeschaltet werden und die sich bewegenden Teile vollkommen zum Stillstand gekommen sein

BEDIENUNG

- Ein-/Aus-Schalten ④
- Arretierung des Schalters für Dauerlauf ⑤
- Sägeblattwechsel ⑥
- ! **Sägeblatt mit den Sägezähnen nach vorne gerichtet in voller Tiefe einspannen** ⑦

- Sägen bei 15°/30°/45° ⑧
- Staubabsaugung ⑨a
 - ! **Staubsauger nicht verwenden beim Sägen von Metall**
- Staubgebläse ⑨b
- Bedienung des Werkzeuges
 - vor dem Einschalten des Werkzeuges muß die Vorderseite der Fußplatte flach auf dem Werkstück aufliegen
 - das Werkzeug immer fest mit beiden Händen halten um es stets unter Kontrolle zu haben
- ! **Werkzeug beim Arbeiten immer am grauen Griffbereich fassen** ⑩
- stellen Sie sicher, daß die Fußplatte auf ganzer Fläche sicher aufliegt
- ! **stellen Sie sicher, daß das Blatt vollkommen zum Stillstand gekommen ist, bevor Sie das Werkzeug vom Werkstück entfernen**
- Lüftungsschlitze C ② unbedeckt halten

ANWENDUNGSHINWEISE

- Die entsprechenden Sägeblätter verwenden ⑪
 - ! **das Werkzeug nimmt die meisten handelsüblichen Sägeblätter mit T-Schaft und U-Schaft auf** ⑫
- Beim Sägen von Metall Sägeblatt regelmäßig mit Öl einfetten
- Für präzisen Schnittverlauf das Werkzeug mit der Bodenplatte entlang der Kante eines geraden Holzstückes führen ⑬
- Bevor Sie Ausschnitte ausführen, ein Loch vorbohren ⑭
- Splitterfreies Sägen
 - die Schnittlinie mit mehreren Schichten breiten Klebeband bedecken vor Arbeitsbeginn
 - die Oberfläche des Werkstücks grundsätzlich nach unten zeigend aufliegen
- Für mehr Tips siehe www.skil.com

WARTUNG / SERVICE

- Dieses Werkzeug eignet sich nicht für den professionellen Einsatz
- Halten Sie Werkzeug und Kabel immer sauber (insbesondere die Lüftungsschlitze C ②)
 - ! **Netzstecker vor dem Säubern ziehen**
- Sollte das Elektrowerkzeug trotz sorgfältiger Herstellungs- und Prüfverfahren einmal ausfallen, ist die Reparatur von einer autorisierten Kundendienststelle für SKIL-Elektrowerkzeuge ausführen zu lassen
 - das Werkzeug **unzerlegt**, zusammen mit dem Kaufbeleg, an den Lieferer oder die nächste SKIL-Vertragswerkstätte senden (die Anschriften so wie die Ersatzteilzeichnung des Werkzeuges finden Sie unter www.skil.com)

UMWELT

- **Elektrowerkzeuge, Zubehör und Verpackungen nicht in den Hausmüll werfen** (nur für EU-Länder)
 - gemäss Europäischer Richtlinie 2012/19/EG über Elektro- und Elektronik- Altgeräte und Umsetzung in nationales Recht müssen nicht mehr gebrauchsfähige

- Elektrowerkzeuge getrennt gesammelt und einer umweltgerechten Wiederverwertung zugeführt werden
- hieran soll Sie Symbol ⑮ erinnern

KONFORMITÄTSERKLÄRUNG CE

Stichsäge 4285

Technische Daten ①

- Wir erklären in alleiniger Verantwortung, daß das unter "Technische Daten" beschriebene Produkt mit den folgenden Normen oder normativen Dokumenten übereinstimmt: EN 60745, EN 61000, EN 55014, gemäß den Bestimmungen der Richtlinien 2014/30/EU, 2006/42/EG, 2011/65/EU
- **Technische Unterlagen bei:** SKIL Europe BV (PT-SEU/ENG1), 4825 BD Breda, NL

Marijn van der Hoofden
Operations & Engineering

Olaf Dijkgraaf
Approval Manager




SKIL Europe BV, 4825 BD Breda, NL

02.02.2015

GERÄUSCH/VIBRATION

- Gemessen gemäß EN 60745 beträgt der Schalldruckpegel dieses Gerätes 84 dB(A) und der Schalleistungspegel 95 dB(A) (Standardabweichung: 3 dB), und die Vibration * (Vektorsumme dreier Richtungen; Unsicherheit K = 1,5 m/s²)
 - * beim Sägen von Holz 11,9 m/s²
 - * beim Sägen von Metall 12,4 m/s²
- Die Vibrationsemissionsstufe wurde mit einem standardisierten Test gemäß EN 60745 gemessen; Sie kann verwendet werden, um ein Werkzeug mit einem anderen zu vergleichen und als vorläufige Beurteilung der Vibrationsexposition bei Verwendung des Werkzeuges für die angegebenen Anwendungszwecke
 - die Verwendung des Werkzeugs für andere Anwendungen oder mit anderem oder schlecht gewartetem Zubehör kann die Expositionsstufe erheblich **erhöhen**
 - Zeiten, zu denen das Werkzeug ausgeschaltet ist, oder wenn es läuft aber eigentlich nicht eingesetzt wird, können die Expositionsstufe erheblich **verringern**
- ! **Schützen Sie sich vor den Auswirkungen der Vibration durch Wartung des Werkzeugs und des Zubehörs, halten Sie Ihre Hände warm und organisieren Sie Ihren Arbeitsablauf**

NL

Decoupeerzaag

4285

INTRODUCTIE

- Deze machine is bestemd voor het doorzagen van, en het zagen van uitsparingen in hout, kunststof, metaal, en

- is geschikt om recht en in bochten te zagen onder een hoek van 45°
- Deze machine is niet bedoeld voor professioneel gebruik
- Lees en bewaar deze gebruiksaanwijzing ③

TECHNISCHE GEGEVENS ①

MACHINE-ELEMENTEN ②

- A Schakelaar voor aan/uit
- B Knop voor vastzetten van schakelaar
- C Ventilatie-openingen
- D Opbergplaats voor zeskantsleutel

VEILIGHEID

ALGEMENE VEILIGHEIDSVORSCHRIFTEN

⚠ LET OP! Lees alle veiligheidswaarschuwingen en alle voorschriften. Als de waarschuwingen en voorschriften niet worden opgevolgd, kan dit een elektrische schok, brand of ernstig letsel tot gevolg hebben. **Bewaar alle waarschuwingen en voorschriften voor toekomstig gebruik.** Het in de waarschuwingen gebruikte begrip “elektrisch gereedschap” heeft betrekking op elektrische gereedschappen voor gebruik op het stroomnet (met netsnoer) en op elektrische gereedschappen voor gebruik met een accu (zonder netsnoer).

1) VEILIGHEID VAN DE WERKOMGEVING

- a) **Houd uw werkomgeving schoon en opgeruimd.** Een rommelige of onverlichte werkomgeving kan tot ongevallen leiden.
- b) **Werk met het gereedschap niet in een omgeving met explosiegevaar waarin zich brandbare vloeistoffen, gassen of stof bevinden.** Elektrische gereedschappen veroorzaken vonken die het stof of de dampen tot ontsteking kunnen brengen.
- c) **Houd kinderen en andere personen tijdens het gebruik van het elektrische gereedschap uit de buurt.** Wanneer u wordt afgeleid, kunt u de controle over het gereedschap verliezen.

2) ELEKTRISCHE VEILIGHEID

- a) **De aansluitstekker van het gereedschap moet in het stopcontact passen. De stekker mag in geen geval worden veranderd. Gebruik geen adapterstekkers in combinatie met gearde gereedschappen.** Onveranderde stekkers en passende stopcontacten beperken het risico van een elektrische schok.
- b) **Voorkom aanraking van het lichaam met gearde oppervlakken, bijvoorbeeld van buizen, verwarmings, fornuizen en koelkasten.** Er bestaat een verhoogd risico door een elektrische schok wanneer uw lichaam geaard is.
- c) **Houd het gereedschap uit de buurt van regen en vocht.** Het binnendringen van water in het elektrische gereedschap vergroot het risico van een elektrische schok.
- d) **Gebruik de kabel niet voor een verkeerd doel, om het gereedschap te dragen of op te hangen of om de stekker uit het stopcontact te trekken. Houd de kabel uit de buurt van hitte, olie, scherpe randen en bewegende gereedschapsdelen.** Beschadigde of in de

war geraakte kabels vergroten het risico van een elektrische schok.

- e) **Wanneer u buitenshuis met elektrisch gereedschap werkt, dient u alleen verlengkabels te gebruiken die voor gebruik buitenshuis zijn goedgekeurd.** Het gebruik van een voor gebruik buitenshuis geschikte verlengkabel beperkt het risico van een elektrische schok.
 - f) **Als het gebruik van het elektrische gereedschap in een vochtige omgeving onvermijdelijk is, dient u een aardlekschakelaar te gebruiken.** Het gebruik van een aardlekschakelaar vermindert het risico van een elektrische schok.
- ### 3) VEILIGHEID VAN PERSONEN
- a) **Wees alert, let goed op wat u doet en ga met verstand te werk bij het gebruik van het elektrische gereedschap. Gebruik het gereedschap niet wanneer u moe bent of onder invloed staat van drugs, alcohol of medicijnen.** Een moment van onoplettendheid bij het gebruik van het gereedschap kan tot ernstige verwondingen leiden.
 - b) **Draag persoonlijke beschermende uitrusting en altijd een veiligheidsbril.** Het dragen van persoonlijke beschermende uitrusting zoals een stofmasker, slipvastes werkschoenen, een veiligheidshelm of gehoorbescherming, afhankelijk van de aard en het gebruik van het elektrische gereedschap, vermindert het risico van verwondingen.
 - c) **Voorkom per ongeluk inschakelen. Controleer dat het elektrische gereedschap uitgeschakeld is voordat u de stekker in het stopcontact steekt of de accu aansluit en voordat u het gereedschap oppakt of draagt.** Wanneer u bij het dragen van het elektrische gereedschap uw vinger aan de schakelaar hebt of wanneer u het gereedschap ingeschakeld op de stroomvoorziening aansluit, kan dit tot ongevallen leiden.
 - d) **Verwijder instelgereedschappen of schroefslutels voordat u het gereedschap inschakelt.** Een instelgereedschap of sleutel in een draaiend deel van het gereedschap kan tot verwondingen leiden.
 - e) **Probeer niet ver te reiken. Zorg ervoor dat u stevig staat en steeds in evenwicht blijft.** Daardoor kunt u het gereedschap in onverwachte situaties beter onder controle houden.
 - f) **Draag geschikte kleding. Draag geen loshangende kleding of sieraden. Houd haren, kleding en handschoenen uit de buurt van bewegende delen.** Loshangende kleding, sieraden en lange haren kunnen door bewegende delen worden meegenomen.
 - g) **Wanneer stofafzuigings- of stofopvangvoorzieningen kunnen worden gemonteerd, dient u zich ervan te verzekeren dat deze zijn aangesloten en juist worden gebruikt.** Het gebruik van een stofafzuiging beperkt het gevaar door stof.
- ### 4) GEREEDSCHAP EN ONDERHOUD VAN ELEKTRISCHE GEREEDSCHAPPEN
- a) **Overbelast het gereedschap niet. Gebruik voor uw werkzaamheden het daarvoor bestemde elektrische gereedschap.** Met het passende elektrische gereedschap werkt u beter en veiliger binnen het aangegeven capaciteitsbereik.

- b) **Gebruik geen elektrisch gereedschap waarvan de schakelaar defect is.** Elektrisch gereedschap dat niet meer kan worden in- of uitgeschakeld, is gevaarlijk en moet worden gerepareerd.
- c) **Trek de stekker uit het stopcontact of neem de accu uit het elektrische gereedschap voordat u het gereedschap instelt, toebehoren wisselt of het gereedschap weglegt.** Deze voorzorgsmaatregel voorkomt onbedoeld starten van het gereedschap.
- d) **Bewaar niet-gebruikte elektrische gereedschappen buiten bereik van kinderen. Laat het gereedschap niet gebruiken door personen die er niet mee vertrouwd zijn en deze aanwijzingen niet hebben gelezen.** Elektrische gereedschappen zijn gevaarlijk wanneer deze door onervaren personen worden gebruikt.
- e) **Verzorg het gereedschap zorgvuldig. Controleer of bewegende delen van het gereedschap correct functioneren en niet vastklemmen en of onderdelen zodanig gebroken of beschadigd zijn dat de werking van het gereedschap nadelig wordt beïnvloed. Laat beschadigde delen repareren voordat u het gereedschap gebruikt.** Veel ongevallen hebben hun oorzaak in slecht onderhouden elektrische gereedschappen.
- f) **Houd snijdende inzetgereedschappen scherp en schoon.** Zorgvuldig onderhouden snijdende inzetgereedschappen met scherpe snijkanten klemmen minder snel vast en zijn gemakkelijker te geleiden.
- g) **Gebruik elektrische gereedschappen, toebehoren, inzetgereedschappen en dergelijke volgens deze aanwijzingen. Let daarbij op de arbeidsomstandigheden en de uit te voeren werkzaamheden.** Het gebruik van elektrische gereedschappen voor andere dan de voorziene toepassingen kan tot gevaarlijke situaties leiden.

5) SERVICE

- a) **Laat het gereedschap alleen repareren door gekwalificeerd en vakkundig personeel en alleen met originele vervangingsonderdelen.** Daarmee wordt gewaarborgd dat de veiligheid van het gereedschap in stand blijft.

VEILIGHEIDSVOORSCHRIFTEN VOOR DECOUPEERZAGEN

ELEKTRISCHE VEILIGHEID

- Controleer altijd of het voltage, dat vermeld staat op het typeplaatje van de machine, overeenkomt met de netspanning
- Gebruik de machine niet, wanneer het snoer beschadigd is; laat dit door een erkende vakman vervangen
- Raak het snoer niet aan, als dit tijdens de werkzaamheden wordt beschadigd of doorgesneden, maar trek onmiddellijk de stekker uit het stopcontact
- Gebruik volledig uitgerolde en veilige verlengsnoeren met een capaciteit van 16 Ampère

PERSOONLIJKE VEILIGHEID

- **Bewerk geen asbesthoudend materiaal** (asbest geldt als kankerverwekkend)
- Deze machine mag niet worden gebruikt door personen onder de 16 jaar
- Tijdens het werken kan het geluidsniveau 85 dB(A) overschrijden; draag oorbeschermers

- Draag een veiligheidsbril bij het bewerken van splinterend materiaal
- Stof van materiaal zoals loodhoudende verf, sommige houtsoorten, mineralen en metaal kunnen schadelijk zijn (contact met of inademing van de stof kan allergische reacties en/of ademhalingsziekten bij gebruiker of omstanders veroorzaken); **draag een stofmasker en werk met een stofopvang-voorziening als die kan worden aangesloten**
- Bepaalde soorten stof zijn geclassificeerd als kankerverwekkend (zoals stof van eiken en beuken), met name in combinatie met toevoegingsmiddelen voor houtverzorging; **draag een stofmasker en werk met een stofopvang-voorziening als die kan worden aangesloten**
- Neem voor de door u te bewerken materialen de nationale voorschriften aangaande stofopvang in acht
- **Trek altijd de stekker uit het stopcontact voordat u een instelling verandert of een accessoire verwisselt**

VOÓR GEBRUIK

- Controleer vóór elk gebruik de werking van de machine, en laat deze in geval van een defect onmiddellijk repareren door een erkende vakman; open zelf nooit de machine
- Verwijder, voordat u begint te zagen, alle obstakels zowel boven als onder het zaagvlak
- Voorkom schade, die kan ontstaan door schroeven, spijkers en andere voorwerpen in uw werkstuk; verwijder deze, voordat u aan een karwei begint
- **Zet het werkstuk vast** (een werkstuk, dat is vastgezet met klemmen of in een bankschroef, zit steviger vast dan wanneer het met de hand wordt vastgehouden)

TIJDENS GEBRUIK

- **Houd het elektrische gereedschap aan de geïsoleerde greepvlakken vast als u werkzaamheden uitvoert waarbij het inzetgereedschap verborgen stroomleidingen of de eigen stroomkabel kan raken** (contact met een onder spanning staande leiding kan ook metalen delen van het elektrische gereedschap onder spanning zetten en tot een elektrische schok leiden)
- Houd het snoer altijd verwijderd van de bewegende delen van uw machine; richt het snoer naar achteren, van de machine weg
- In geval van elektrische of mechanische storing, de machine onmiddellijk uitschakelen en de stekker uit het stopcontact trekken
- Blijf met uw handen uit de buurt van het zaagblad tijdens het gebruik van de machine

ACCESSOIRES

- SKIL kan alleen een correcte werking van de machine garanderen, indien originele accessoires worden gebruikt
 - Gebruik geen beschadigd, vervormd of bot zaagblad
- ### GEBRUIK BUITENSHUIS
- Sluit uw machine, bij gebruik buitenshuis, aan via een aardlekschakelaar (FI) met maximaal 30 mA uitschakelstroom, en gebruik alleen voor buitenshuis gebruik goedgekeurde verlengsnoeren, voorzien van een spatwaterdichte contactstop

NA GEBRUIK

- Als u de machine wegzet moet de motor uitgeschakeld zijn en de bewegende delen tot stilstand zijn gekomen

GEBRUIK

- Aan/uit (4)
- Vastzetten van schakelaar voor continu gebruik (5)
- Verwisselen van zaagbladen (6)
 - ! **steek zaagblad in zaagbladhouder tot deze niet verder kan (met de tanden naar voren gericht)** (7)
- Zagen bij 15°/30°/45° (8)
- Stofafzuiging (9a)
 - ! **gebruik de stofzuiger niet bij het zagen van metaal**
- Stof-blower (9b)
- Werken met de machine
 - zorg ervoor dat, voordat u de machine aanzet, de voor-kant van de voetplaat goed vlak op het werkstuk rust
 - houd uw machine stevig met beide handen vast, zodat u deze altijd volledig onder controle hebt
 - ! **houd de machine tijdens het werk altijd vast bij het(de) grijs-gekleurde greepvlak(ken)** (10)
 - zorg ervoor, dat de voetplaat over het hele oppervlak goed aansluit
 - ! **zorg ervoor, dat het zaagblad tot stilstand gekomen is, voordat u de machine van het werkstuk haalt**
 - houd ventilatie-openingen C (2) onbedekt

TOEPASSINGSADVIES

- Gebruik de juiste zaagbladen (11)
 - ! **in de machine passen vrijwel alle verkrijgbare bladen met een T- en een U-schacht** (12)
- Bij het zagen in metalen, het zaagblad regelmatig met olie invetten
- Voor een nauwkeurige rechte zaagsnede, de machine met de voetplaat langs een recht stuk hout geleiden (13)
- Vóór het zagen van een uitsparing een gat voorboren (14)
- Splintervrij zagen
 - bedek de zaaglijn met verscheidene lagen breed plakband, voordat u begint te zagen
 - leg de goede kant van het werkstuk altijd naar beneden
- Voor meer tips zie www.skil.com

ONDERHOUD / SERVICE

- Deze machine is niet bedoeld voor professioneel gebruik
- Houd machine en snoer altijd schoon (met name de ventilatie-openingen C (2))
 - ! **trek de stekker uit het stopcontact vóór het reinigen**
- Mocht het elektrische gereedschap ondanks zorgvuldige fabricage- en testmethoden toch defect raken, dient de reparatie te worden uitgevoerd door een erkende klantenservice voor SKIL elektrische gereedschappen
 - stuur de machine **ongedemonteerd**, samen met het aankoopbewijs, naar het verkoopadres of het dichtstbijzijnde SKIL service-station (de adressen evenals de onderdelentekening van de machine vindt u op www.skil.com)

MILIEU

- **Geef electrisch gereedschap, accessoires en verpakkingen niet met het huisvuil mee** (alleen voor EU-landen)
 - volgens de Europese richtlijn 2012/19/EG inzake oude elektrische en elektronische apparaten en de toepassing daarvan binnen de nationale wetgeving, dient afgedankt electrisch gereedschap gescheiden te worden ingezameld en te worden afgevoerd naar een recycle-bedrijf, dat voldoet aan de geldende milieu-eisen
 - symbool (15) zal u in het afdankstadium hieraan herinneren

CONFORMITEITSVERKLARING (CE)

Decoupeerzaag 4285

Technische gegevens (1)

- Wij verklaren als alleen verantwoordelijke, dat het onder "Technische gegevens" beschreven product voldoet aan de volgende normen of normatieve documenten: EN 60745, EN 61000, EN 55014, overeenkomstig de bepalingen van de richtlijnen 2014/30/EU, 2006/42/EG, 2011/65/EU
- **Technisch dossier bij:** SKIL Europe BV (PT-SEU/ENG1), 4825 BD Breda, NL

Marijn van der Hoofden
Operations & Engineering

Olaf Dijkgraaf
Approval Manager

SKIL Europe BV, 4825 BD Breda, NL

02.02.2015

GELUID/VIBRATIE

- Gemeten volgens EN 60745 bedraagt het geluidsdrumniveau van deze machine 84 dB(A) en het geluidsvermogen-niveau 95 dB(A) (standaard deviatie: 3 dB), en de vibratie * (vectorsom van drie richtingen; onzekerheid K = 1,5 m/s²)
 - * bij het zagen van hout 11,9 m/s²
 - * bij het zagen van metaal 12,4 m/s²
- Het trillingsemissieniveau is gemeten in overeenstemming met een gestandaardiseerde test volgens EN 60745; deze mag worden gebruikt om twee machines met elkaar te vergelijken en als voorlopige beoordeling van de blootstelling aan trilling bij gebruik van de machine voor de vermelde toepassingen
 - gebruik van de machine voor andere toepassingen, of met andere of slecht onderhouden accessoires, kan het blootstellingsniveau aanzienlijk **verhogen**
 - wanneer de machine is uitgeschakeld of wanneer deze loopt maar geen werk verricht, kan dit het blootstellingsniveau aanzienlijk **reduceren**
- ! **bescherm uzelf tegen de gevolgen van trilling door de machine en de accessoires te onderhouden, uw handen warm te houden en uw werkwijze te organiseren**

INTRODUKTION

- Denna maskin är avsedd för kapning och ursågning i trä, plast, metall, och är lämplig för rak och kurvig sågning med en geringsvinkel upp till 45°
- Det här verktyget är inte avsett för yrkesmässig användning
- Läs och spara denna instruktionsbok ③

TEKNISKA DATA ①

VERKTYGSELEMENT ②

- A Strömbrytare för till/från
- B Knapp för låsning av strömbrytare
- C Ventilationsöppning
- D Förvaring av sexkantsnyckel

SÄKERHET

ALLMÄNNA SÄKERHETSANVISNINGAR

⚠ OBS! Läs noga igenom alla anvisningar. Fel som uppstår till följd av att anvisningarna nedan inte följts kan orsaka elstöt, brand och/eller allvarliga kroppsskador.

Förvara alla varningar och anvisningar för framtida bruk. Nedan använt begrepp "elverktyg" hänför sig till nätdrivna elverktyg (med nätsladd) och till batteridrivna elverktyg (sladdlösa).

1) ARBETSPLATSSÄKERHET

- a) **Håll arbetsplatsen ren och välbelyst.** Oordning på arbetsplatsen eller dåligt belyst arbetsområde kan leda till olyckor.
- b) **Använd inte elverktyget i explosionsfarlig omgivning med brännbara vätskor, gaser eller damm.** Elverktygen alstrar gnistor som kan antända dammet eller gaserna.
- c) **Håll under arbetet med elverktyget barn och obehöriga personer på betryggande avstånd.** Om du störs av obehöriga personer kan du förlora kontrollen över elverktyget.

2) ELEKTRISK SÄKERHET

- a) **Elverktygets stickpropp måste passa till vägguttaget. Stickproppen får absolut inte förändras. Använd inte adapterkontakter tillsammans med skyddsjordade elverktyg.** Oförändrade stickproppar och passande vägguttag reducerar risken för elektriskt slag.
- b) **Undvik kroppskontakt med jordade ytor som t. ex. rör, värmeelement, spisar och kylskåp.** Det finns en större risk för elektriskt slag om din kropp är jordad.
- c) **Skydda elverktyget mot regn och väta.** Tränger vatten in i ett elverktyg ökar risken för elektriskt slag.
- d) **Missbruka inte nätsladden och använd den inte för att bära eller hänga upp elverktyget och inte heller för att dra stickproppen ur vägguttaget. Håll nätsladden på avstånd från värme, olja, skarpa**

kanter och rörliga maskindelar. Skadade eller tilltrasslade ledningar ökar risken för elektriskt slag.

- e) **När du arbetar med ett elverktyg utomhus använd endast förlängningssladdar som är godkända för utomhusbruk.** Om en lämplig förlängningssladd för utomhusbruk används minskar risken för elektriskt slag.
- f) **Använd en jordfelsbrytare om det inte är möjligt att undvika elverktygets användning i fuktig miljö.** Genom att använda en jordfelsbrytare minskas risken för elstöt.

3) PERSONSÄKERHET

- a) **Var uppmärksam, kontrollera vad du gör och använd elverktyget med förnuft. Använd inte elverktyget när du är trött eller om du är påverkad av droger, alkohol eller mediciner.** Under användning av elverktyg kan även en kort ouppmärksamhet leda till allvarliga kroppsskador.
 - b) **Bär alltid personlig skyddsutrustning och skyddsglasögon.** Användning av personlig skyddsutrustning som t. ex. dammfiltermask, halkfria säkerhetsskor, skyddshjälm och hörselskydd reducerar alltefter elverktygets typ och användning risken för kroppsskada.
 - c) **Undvik oavsiktlig igångsättning. Kontrollera att elverktyget är fränkopplat innan du ansluter stickproppen till vägguttaget och/eller ansluter/tar bort batteriet, tar upp eller bär elverktyget.** Om du bär elverktyget med fingret på strömställaren eller ansluter påkopplat elverktyg till nätströmmen kan olycka uppstå.
 - d) **Ta bort alla inställningsverktyg och skruvnycklar innan du kopplar på elverktyget.** Ett verktyg eller en nyckel i en roterande komponent kan medföra kroppsskada.
 - e) **Överskatta inte din förmåga. Se till att du står stadigt och håller balansen.** I detta fall kan du lättare kontrollera elverktyget i oväntade situationer.
 - f) **Bär lämpliga kläder. Bär inte löst hängande kläder eller smycken. Håll håret, kläderna och handskarna på avstånd från rörliga delar.** Löst hängande kläder, smycken och långt hår kan dras in av roterande delar.
 - g) **Vid elverktyg med dammsugnings- och -uppsamlingsutrustning kontrollera att anordningarna är rätt monterade och används på korrekt sätt.** Användning av dammsugning minskar de risker damm orsakar.
- ### 4) OMSORGSFULL HANTERING OCH ANVÄNDNING AV ELVERKTYG
- a) **Överbelasta inte elverktyget. Använd för aktuellt arbete avsett elverktyg.** Med ett lämpligt elverktyg kan du arbeta bättre och säkrare inom angivet effektområde.
 - b) **Ett elverktyg med defekt strömställare får inte längre användas.** Ett elverktyg som inte kan kopplas in eller ur är farligt och måste repareras.
 - c) **Dra stickproppen ur vägguttaget och/eller ta bort batteriet innan inställningar utförs, tillbehörsdelar byts ut eller elverktyget lagras.** Denna skyddsåtgärd förhindrar oavsiktlig inkoppling av elverktyget.
 - d) **Förvara elverktygen oätkomliga för barn. Låt elverktyget inte användas av personer som inte är förtrogna med dess användning eller inte läst denna**

anvisning. Elverktügen är farliga om de används av oerfarna personer.

- e) **Sköt elverktüget omsorgsfullt. Kontrollera att rörliga komponenter fungerar felfritt och inte kärvar, att komponenter inte brustit eller skadats; orsaker som kan leda till att elverktügets funktioner påverkas menligt. Låt skadade delar repareras innan elverktüget återanvänds.** Många olyckor orsakas av dåligt skötta elverktüg.
- f) **Håll skärverktügen skarpa och rena.** Omsorgsfullt skötta skärverktüg med skarpa egg kommer inte så lätt i kläm och går lättare att styra.
- g) **Använd elverktüget, tillbehör, insatsverktüg osv. enligt dessa anvisningar. Ta hänsyn till arbetsvillkoren och arbetsmomenten.** Används elverktüget på icke ändamålsenligt sätt kan farliga situationer uppstå.
- 5) SERVICE**
- a) **Låt elverktüget repareras endast av kvalificerad fackpersonal och med originalreservdelar.** Detta garanterar att elverktügets säkerhet upprätthålls.

SÄKERHETSANVISNINGAR FÖR FIGURSÅGER

ELEKTRISK SÄKERHET

- Kontrollera alltid att den tillförda strömtypen stämmer med spänningen som anges på maskinens märkplåt
- Använd ej maskinen om sladden är trasig; låt den byta ut av en kvalificerad person
- Skadas eller kapas nätsladden under arbetet, rör inte vid sladden utan dra genast ut stickkontakten
- Använd helt utrullade och säkra förlängningssladdar med kapacitet på 16 A

PERSONSÄKERHET

- **Asbesthaltigt material får inte bearbetas** (asbest anses vara cancerframkallande)
- Den här maskinen ska inte användas av personer under 16 år
- Ljudnivån vid arbete kan överskrida 85 dB(A); använd hörselskydd
- Använd skyddsglasögon vid spånbildande material
- Viss typ av damm, exempelvis färg som innehåller bly, vissa träsorter, mineraler och metaller kan vara hälsovådliga om de inhaleras (hudkontakt eller inandning kan ge allergisk reaktion och/eller luftvägsproblem/sjukdom hos personer i närheten); **använd andningsskydd och arbeta med en dammuppsamlare om sådan anslutning finns**
- Vissa typer av damm är klassificerade så som carcinogena (t.ex. ek- och björkdamm) särskilt i kombination med tillsatser för träbehandling; **använd andningsskydd och arbeta med en dammuppsamlare om sådan anslutning finns**
- Följ de nationella krav, som finns angående damm, för de material du skall arbeta med
- **Dra alltid ur stickkontakten från väggurtaget innan du gör någon justering eller byter tillbehör**

FÖRE ANVÄNDNINGEN

- Kontrollera före användningen att maskinen fungerar ordentligt; eventuella skador måste repareras av en kvalificerad tekniker; öppna aldrig maskinen själv
- Se till att arbetsområdet är fritt från föremål innan du startar arbetet

- Undvik skador genom att ta bort skruvar, spikar eller andra föremål ur arbetsstycket; ta dem bort innan du startar ett arbete
- **Sätt fast arbetsstycket** (ett arbetsstycke fastsatt med skruvtingar eller i ett skruvståd är mera stabilt än om det hålls fast för hand)

UNDER ANVÄNDNINGEN

- **Håll fast elverktüget vid de isolerade greppytorna när arbeten utförs på ställen där insatstillbehöret kan skada dolda elledningar eller egen nätsladd** (kontakt med en spänningsförande ledning kan sätta elverktügets metalldelar under spänning och leda till elstö)
- Håll alltid sladden på säkert avstånd från rörliga maskindelar; för sladden bakåt bort från maskinen
- I händelse av onormala elektriska eller mekaniska störningar, stäng genast av maskinen och dra ur stickkontakten
- Håll händerna från sågbladet när maskinen är igång

TILLBEHÖR

- SKIL kan endast garantera att maskinen fungerar felfritt om originaltillbehör används
 - Använd inte en trasig, deformerad eller slö blad
- ### ANVÄNDNING UTOMHUS
- Om maskinen används utomhus skall den vara ansluten till en jordfelsbrytare (FI) på högst 30 mA; använd bara en förlängningssladd avsedd för utomhusbruk och utrustad med en stänkskyddad kontakt

EFTER ANVÄNDNINGEN

- När du ställer ifrån dig maskinen måste motorn vara frånslagen och de rörliga delarna ska ha stannat fullständigt

ANVÄNDNING

- Till/från ④
- Låsning av strömbrytare för kontinuerlig drift ⑤
- Sågbladsbyte ⑥
- **! sätt in sågbladet till fullt djup med tänderna framåt ⑦**
- Sågning vid 15°/30°/45° ⑧
- Dammuppsugning ⑨a
- **! använd inte dammsugare för skåring i metall**
- Dammbläsning ⑨b
- Användning av maskinen
 - innan maskinen sätts på, försäkra dig om att fotplattans framsida ligger plant på arbetsstycket
 - håll maskinen stadigt så att Du har full kontroll hela tiden
- **! under arbetet, håll alltid verktyget i det grå greppet ⑩**
- försäkra dig om att fotplattan ligger an mot arbetsstycket över hela ytan
- **! försäkra dig om att bladet helt har stannat innan maskinen lyfts från det sågade materialet**
- håll ventilationsöppningarna C ② ej övertäckta

ANVÄNDNINGSTIPS

- Använd rätt sågblad ⑪
- **! maskin accepterar de flesta vanligare sågblad med T-axel och U-axel ⑫**
- För sågning i metall, olja in sågbladet regelbundet

- För att såga precis rakt, styr maskinen med fotplattan längs kanten på en rak träbit ⑬
- Förborra ett hål innan du börjar såga ur ⑭
- Splinterfri sågning
 - täck snittlinjen med flera lager av breda tejp innan du börjar såga
 - lägg alltid den finaste sidan av arbetsstycket nedåt
- För fler tips se www.skil.com

UNDERHÅLL / SERVICE

- Det här verktyget är inte avsedd för yrkesmässig användning
- Håll alltid din maskin och sladden ren (speciellt ventilationsöppningarna C ②)
- ! **drag ur stickkontakten innan rengöring**
- Om i elverktyget trots exakt tillverkning och sträng kontroll störning skulle uppstå, bör reparation utföras av auktoriserad serviceverkstad för SKIL elverktyg
 - sänd in verktyget i **odemonterat skick** tillsammans med inköpsbevis till försäljaren eller till närmaste SKIL serviceverkstad (adresser till servicestationer och sprängskisser av maskiner finns på www.skil.com)

MILJÖ

- **Elektriska verktyg, tillbehör och förpackning får inte kastas i hushållsoporna** (gäller endast EU-länder)
 - enligt direktivet 2012/19/EG som avser äldre elektrisk och elektronisk utrustning och dess tillämpning enligt nationell lagstiftning ska uttjänta elektriska verktyg sorteras separat och lämnas till miljövänlig återvinning
 - symbolen ⑮ kommer att påminna om detta när det är tid att kassera

FÖRSÄKRAN OM ÖVERENSSTÄMMELSE C €

Figuersåg 4285

Tekniska data ①

- Vi försäkrar härmed under exklusivt ansvar att denna produkt som beskrivs i "Tekniska data" överensstämmer med följande normer eller normativa dokument: EN 60745, EN 61000, EN 55014, enligt bestämmelserna i direktiven 2014/30/EU, 2006/42/EG, 2011/65/EU
- **Teknisk tillverkningsdokumentation finns hos:** SKIL Europe BV (PT-SEU/ENG1), 4825 BD Breda, NL

Marijn van der Hoofden
Operations & Engineering

Olaf Dijkgraaf
Approval Manager

SKIL Europe BV, 4825 BD Breda, NL

02.02.2015

LJUD/VIBRATION

- Ljudtrycksnivån som uppmätts enligt EN 60745 är på denna maskin 84 dB(A) och ljudeffektnivån 95 dB(A) (standard deviation: 3 dB), och vibration * m/s² (vektorsumma i tre riktningar; onoggrannhet K = 1,5 m/s²)
 - * vid sågning i trä 11,9 m/s²
 - * vid sågning i metall 12,4 m/s²

- Vibrationsemissionsvärdet har uppmätts enligt ett standardiserat test i enlighet med EN 60745; detta värde kan användas för att jämföra vibrationen hos olika verktyg och som en ungefärlig uppskattning av hur stor vibration användaren utsätts för när verktyget används enligt det avsedda syftet
 - om verktyget används på ett annat än det avsedda syftet eller med fel eller dåligt underhållna tillbehör kan detta drastiskt **öka** vibrationsnivån
 - när verktyget stängs av eller är på men inte används, kan detta avsevärt **minska** vibrationsnivån
- ! **skydda dig mot vibration genom att underhålla verktyget och dess tillbehör, hålla händerna varma och styra upp ditt arbetssätt**

DK

Stiksav

4285

INLEDNING

- Dette værktøj er beregnet til at gennemsave emner og udføre udsnit i træ, kunststof, metal, og er egnet til lige og kurvede snit med en geringsvinkel på indtil 45°
- Dette værktøj er ikke beregnet til professionelt brug
- Læs og gem denne betjeningsvejledning ③

TEKNISKE DATA ①

VÆRKTØJETS DELE ②

- A Afbryder til tænd/sluk
- B Knap til fastlåsning af afbryderen
- C Ventilationshuller
- D Opbevaring for stiftngole

SIKKERHED

GENERALE SIKKERHEDSINSTRUKSER

⚠ VIGTIGT! Læs alle advarselshenvisninger og instrukser. I tilfælde af manglende overholdelse af advarselshenvisningerne og instrukserne er der risiko for elektrisk stød, brand og/eller alvorlige kvæstelser. **Opbevar alle advarselshenvisninger og instrukser til senere brug.** Det i advarselshenvisningerne benyttede begreb "el værktøj" refererer til netdrevet el værktøj (med netkabel) og akkudrevet el værktøj (uden netkabel).

1) SIKKERHED PÅ ARBEJDSPLADSEN

- Sørg for, at arbejdsområdet er rent og ryddeligt.**
Uorden eller uoplyste arbejdsområder øger faren for uheld.
- Brug ikke maskinen i eksplosionstruede omgivelser, hvor der er brændbare væsker, gasser eller støv.**
El-værktøj kan slå gnister, der kan antænde støv eller dampe.
- Sørg for, at andre personer og ikke mindst børn holdes væk fra arbejdsområdet, når maskinen er i brug.** Hvis man distraheres, kan man miste kontrollen over maskinen.

2) ELEKTRISK SIKKERHED

- a) **Maskinens stik skal passe til kontakten. Stikket må under ingen omstændigheder ændres. Brug ikke adapterstik sammen med jordforbundne maskiner.** Uændrede stik, der passer til kontakterne, nedsætter risikoen for elektrisk stød.
- b) **Undgå kropskontakt med jordforbundne overflader som f.eks. rør, radiatorer, komfurer og køleskabe.** Hvis din krop er jordforbundet, øges risikoen for elektrisk stød.
- c) **Maskinen må ikke udsættes for regn eller fugt.** Indtrængning af vand i maskinen øger risikoen for elektrisk stød.
- d) **Brug ikke ledningen til formål, den ikke er beregnet til (f.eks. må man aldrig bære maskinen i ledningen, hænge maskinen op i ledningen eller rykke i ledningen for at trække stikket ud af kontakten).** Beskyt ledningen mod varme, olie, skarpe kanter eller maskindele, der er i bevægelse. Beskadigede eller indviklede ledninger øger risikoen for elektrisk stød.
- e) **Hvis maskinen benyttes i det fri, må der kun benyttes en forlængerledning, der er godkendt til udendørs brug.** Brug af forlængerledning til udendørs brug nedsætter risikoen for elektrisk stød.
- f) **Hvis det ikke kan undgås at bruge maskinen i fugtige omgivelser, skal der bruges et HFI-relæ.** Brug af et HFI-relæ reducerer risikoen for at få elektrisk stød.

3) PERSONLIG SIKKERHED

- a) **Det er vigtigt at være opmærksom, se, hvad man laver, og bruge maskinen fornuftigt. Man bør ikke bruge maskinen, hvis man er træt, har nydt alkohol eller er påvirket af medicin eller euforiserende stoffer.** Få sekunders uopmærksomhed ved brug af maskinen kan føre til alvorlige personskader.
- b) **Brug beskyttelsesudstyr og hav altid beskyttelsesbriller på.** Brug af sikkerhedsudstyr som f. eks. støvmaske, skridsikert fodtøj, beskyttelseshjelm eller hørevern afhængig af maskintype og anvendelse nedsætter risikoen for personskader.
- c) **Undgå utilsigtet igangsætning. Kontrollér, at el værktøjet er slukket, før du tilslutter det til strømtilførslen og/eller akkuen, løfter eller bærer det.** Undgå at bære el værktøjet med fingeren på afbryderen og sørg for, at el værktøjet ikke er tændt, når det slutes til nettet, da dette øger risikoen for personskader.
- d) **Fjern indstillingsværktøj eller skruenøgle, inden maskinen tændes.** Hvis et stykke værktøj eller en nøgle sidder i en roterende maskindel, er der risiko for personskader.
- e) **Overvurder ikke dig selv. Sørg for at stå sikkert, mens der arbejdes, og kom ikke ud af balance.** Det er derved nemmere at kontrollere maskinen, hvis der skulle opstå uventede situationer.
- f) **Brug egnet arbejdstøj. Undgå løse beklædningsgenstande eller smykker. Hold hår, tøj og handsker væk fra dele, der bevæger sig.** Dele, der er i bevægelse, kan gribe fat i løstsiddende tøj, smykker eller langt hår.
- g) **Hvis støvsugnings- og opsamlingsudstyr kan monteres, er det vigtigt, at dette tilsluttes og**

benyttes korrekt. Brug af en støvsugning nedsætter risikoen for personskader som følge af støv.

4) OMHYGGE LIG OMGANG MED OG BRUG AF EL-VÆRKTØJ

- a) **Undgå overbelastning af maskinen. Brug altid en maskine, der er beregnet til det stykke arbejde, der skal udføres.** Med den rigtige maskine arbejder man bedst og mest sikkert inden for det angivne effektområde.
 - b) **Brug ikke en maskine, hvis afbryder er defekt.** En maskine, der ikke kan startes og stoppes, er farlig og skal repareres.
 - c) **Træk stikket ud af stikkontakten og/eller fjern akkuen, inden maskinen indstilles, der skiftes tilbehørsdele, eller maskinen lægges fra.** Disse sikkerhedsforanstaltninger forhindrer utilsigtet start af maskinen.
 - d) **Opbevar ubenyttet el-værktøj uden for børns rækkevidde. Lad aldrig personer, der ikke er fortrolige med maskinen eller ikke har gennemlæst disse instrukser, benytte maskinen.** El-værktøj er farligt, hvis det benyttes af ukyndige personer.
 - e) **Maskinen bør vedligeholdes omhyggeligt. Kontroller, om bevægelige dele fungerer korrekt og hvis sidder fast, og om delene er brækket eller beskadiget, således at maskinens funktion påvirkes. Få beskadigede dele repareret, inden maskinen tages i brug.** Mange uheld skyldes dårligt vedligeholdte maskiner.
 - f) **Sørg for, at skæreværktøjer er skarpe og rene.** Omhyggeligt vedligeholdte skæreværktøjer med skarpe skærekanter sætter sig ikke så hurtigt fast og er nemmere at føre.
 - g) **Brug el-værktøj, tilhører, indsatsværktøj osv. iht. disse instrukser. Tag hensyn til arbejdsforholdene og det arbejde, der skal udføres.** I tilfælde af anvendelse af værktøjet til formål, som ligger uden for det fastsatte anvendelsesområde, kan der opstå farlige situationer.
- ## 5) SERVICE
- a) **Sørg for, at maskinen kun repareres af kvalificerede fagfolk, og at der kun benyttes originale reservedele.** Dermed sikres størst mulig maskinsikkerhed.

SIKKERHEDSINSTRUKSER FOR STIKSAVE

ELEKTRISK SIKKERHED

- Kontrollér altid at forsyningsspændingen er den samme som den spænding, der er anført på værktøjets navneskilt
- Brug ikke værktøjet, hvis kablet er beskadiget; få det skiftet ud af en anerkendt fagmand
- Hvis kablet beskadiges eller skæres over under arbejdet, ikke berør kablet, og straks træk ud stikket
- Anvend helt udrullede og sikre forlængerledninger med en kapacitet på 16 A

PERSONLIG SIKKERHED

- **Bearbejd ikke asbestholdigt materiale** (asbest er kræftfremkaldende)
- Dette værktøj må ikke bruges af personer under 16 år

- Under arbejde med værktøjet kan lydniveauet overstige 85 dB(A); brug høreværn
- Bær beskyttelsesbriller ved bearbejdning af spånproducerende materialer
- Støv fra materiale som f.eks. maling, der indeholder bly, nogle træsorter, mineraler og metal kan være skadeligt (kontakt med eller indånding af støvet kan forårsage allergiske reaktioner og/eller sygdomme i luftvejene hos den, der anvender værktøjet, eller hos omkringstående); **bær en støvmaske og arbejd med en støvudsugningsanordning, hvor en sådan kan sluttes til**
- Visse slags støv er klassificeret som kræftfremkaldende (som f.eks. støv fra eg og bøg) især i forbindelse med tilsætningsstoffer til træbehandling; **bær en støvmaske og arbejd med en støvudsugningsanordning, hvor en sådan kan sluttes til**
- Følg de nationale krav, hvad angår støv, for de materialer, du ønsker at arbejde med
- **Fjern altid først stikket fra kontakten, før De foretager nogle ændringer eller skifter tilbehør**

INDEN BRUG

- Hver gang værktøjet tages i brug, skal man kontrollere dets funktion, og i tilfælde af en fejl, skal man omgående få værktøjet repareret af en kvalificeret person; man må aldrig selv åbne værktøjet
- Fjern alle genstande såvel ovenpå som nedenunder savlinien, før De begynder at save
- Undgå skader forårsaget af skruer, søm eller andre materialer i arbejdsstykket; fjern disse før De begynder at arbejde
- **Fastgør emnet** (det er sikrere at holde emner i en fastgøringsanordning eller skruestik end med hånden)

UNDER BRUG

- **Hold el-værktøjet i de isolerede gribeblader, når du udfører arbejde, hvor indsatsstilbehøret kan ramme bøjede strømledninger eller el-værktøjets eget kabel** (kontakt med en spændingsførende ledning kan også sætte el-værktøjets metaldele under spænding, hvilket kan føre til elektrisk stød)
- Hold altid ledningen væk fra værktøjets bevægelige dele; før altid ledningen bagud, væk fra værktøjet
- I tilfælde af elektrisk eller mekanisk fejlfunktion skal afbryderen straks afbrydes og stikket tages ud af kontakten
- Hold hænderne væk fra savklingen, når værktøjet er i gang

TILBEHØR

- SKIL kan kun sikre en korrekt funktion af værktøjet, hvis der benyttes originalt tilbehør
- Brug aldrig savklinger der er sløve, skæve eller på anden måde beskadigede

UDENDØRS BRUG

- Når værktøjet anvendes udendørs, skal det forbindes via en fejlstrømsafbryder (FI) med en triggestrøm på 30 mA maksimum, og man må kun anvende en forlængerledning, som er beregnet til udendørs brug og er udstyret med en stænkbekyttet koblings-stikkontakt

EFTER BRUG

- Efter endt arbejde skal afbryderen afbrydes og alle bevægelige dele være stoppet før værktøjet sættes til side

BETJENING

- Tænd/sluk ④
- Fastlåsning af afbryderen til vedvarende drift ⑤
- Udskiftning af savklinge ⑥
 - ! **isæt savklingen i fuld dybde med tænderne pegende fremad** ⑦
- Savning ved 15°/30°/45° ⑧
- Støvopsugning ⑨a
 - ! **brug ikke støvsuger ved savning i metal**
- Støvblæsning ⑨b
- Betjening af værktøjet
 - før værktøjet tændes, skal forenden af sålen være placeret fladt imod arbejdsemnet
 - hold om værktøjet med et fast greb, således at De til enhver tid har kontrol over værktøjet
 - ! **under arbejde, hold altid om værktøjet på de grå markerede grebsområde(r)** ⑩
 - vær sikker på, at sålen ligger sikkert på hele fladen
 - ! **vær sikker på, at savklingen står fuldstændigt stille, før De løfter værktøjet væk fra arbejdsemnet**
 - hold ventilationshullerne C ⑫ utildækkede

GODE RÅD

- Brug rigtige savklinger ⑪
 - ! **værktøj accepterer de fleste almindelige savklinger med T-skaft og med U-skaft, som fås i handelen** ⑫
- Ved savning i metal, sørg for at smøre savklingen jævnlig med olien
- For et akkurat lige snit styr værktøjet med sålen langs kanten af et lige træstykket ⑬
- Forbor et hul i materialet, før De udfører udsnit ⑭
- Splintfri savning
 - dæk snitlinien med flere lag af bredt tape før De begynder at save
 - læg altid den pæneste side af arbejdsemnet nedad
- For flere tips se www.skil.com

VEDLIGEHOLDELSE/SERVICE

- Dette værktøj er ikke beregnet til professionelt brug
- Hold værktøjet og ledningen ren (især ventilationshullerne C ⑫)
 - ! **træk stikket ud før rensning**
- Skulle el-værktøjet trods omhyggelig fabrikation og kontrol holde op med at fungere, skal reparationen udføres af et autoriseret serviceværksted for SKIL-elektroværktøj
 - send den **uskilte** værktøjet sammen med et købsbevis til forhandleren eller nærmeste SKIL serviceværksted (adresser og reservedelstegning af værktøjet findes på www.skil.com)

MILJØ

- **Elværktøj, tilbehør og emballage må ikke bortskaffes som almindeligt affald** (kun for EU-lande)
 - i henhold til det europæiske direktiv 2012/19/EF om bortskaffelse af elektriske og elektroniske produkter og gældende national lovgivning, skal brugt elværktøj indsamles separat og bortskaffes på en måde, der skåner miljøet mest muligt

- symbolet ⑮ erindrer dig om dette, når udskiftning er nødvendig

OVERENSSTEMMELSESERKLÆRING CE

Stikksav 4285

Tekniske data ①

- Vi erklærer under almindeligt ansvar, at det produkt, der er beskrevet under "Tekniske data", er i overensstemmelse med følgende standarder eller normative dokumenter: EN 60745, EN 61000, EN 55014, i henhold til bestemmelserne i direktiverne 2014/30/EU, 2006/42/EF, 2011/65/EU
- **Teknisk dossier hos:** SKIL Europe BV (PT-SEU/ENG1), 4825 BD Breda, NL

Marijn van der Hoofden
Operations & Engineering

Olaf Dijkgraaf
Approval Manager

SKIL Europe BV, 4825 BD Breda, NL

02.02.2015

STØJ/VIBRATION

- Måles efter EN 60745 er lydtrykniveau af dette værktøj 84 dB(A) og lydfeffektniveau 95 dB(A) (standard deviation: 3 dB), og vibrationsniveauet * m/s² (vektorsum for tre retninger; usikkerhed K = 1,5 m/s²)
 - * ved savning i træ 11,9 m/s²
 - * ved savning i metal 12,4 m/s²
 - Det vibrationsniveau er målt i henhold til den standardiserede test som anført i EN 60745; den kan benyttes til at sammenligne to stykker værktøj og som en foreløbig bedømmelse af udsættelsen for vibrationer, når værktøjet anvendes til de nævnte formål
 - anvendes værktøjet til andre formål eller med andet eller dårligt vedligehold tilbehør, kan dette **øge** udsættelsesniveauet betydeligt
 - de tidsrum, hvor værktøjet er slukket, eller hvor det kører uden reelt at udføre noget arbejde, kan **reducere** udsættelsesniveauet betydeligt
- ! beskyt dig selv imod virkningerne af vibrationer ved at vedligeholde værktøjet og dets tilbehør, ved at holde dine hænder varme og ved at organisere dine arbejdsmønstre**

N

Stikksag

4285

INTRODUKSJON

- Dette verktøyet er beregnet til å utføre utskjæringer og kappinger i tre, kunststoff, metall, og er egnet til rette snitt og kurvesnitt med en gjæringsvinkel på opp til 45°
- Dette verktøyet er ikke beregnet på profesjonell bruk
- Les og ta vare på denne brukerveiledningen ③

TEKNISKE DATA ①

VERKTØYELEMENTER ②

- A Av/på bryter
- B Knapp til låsing av bryteren
- C Ventilasjonsåpninger
- D Oppbevaring for sekskantnøkkel

SIKKERHET

GENERELLE SIKKERHETSANVISNINGER

⚠ OBS! Les gjennom alle advarslene og anvisningene.

Feil ved overholdelsen av advarslene og nedenstående anvisninger kan medføre elektriske støt, brann og/eller alvorlige skader. **Ta godt vare på alle advarslene og informasjonene.** Det nedenstående anvendte uttrykket "elektroverktøy" gjelder for strømdrevne elektroverktøy (med ledning) og batteridrevne elektroverktøy (uten ledning).

1) SIKKERHET PÅ ARBEIDSPLASSEN

- Hold arbeidsområdet rent og ryddig.** Rotete arbeidsområder eller arbeidsområder uten lys kan føre til ulykker.
- Ikke arbeid med maskinen i eksplosjonsutsatte omgivelser – der det finnes seg brennbare væsker, gass eller støv.** Elektroverktøy lager gnister som kan antenne støv eller damper.
- Hold barn og andre personer unna når elektroverktøyet brukes.** Hvis du blir forstyrret under arbeidet, kan du miste kontrollen over maskinen.

2) ELEKTRISK SIKKERHET

- Støpselet til maskinen må passe inn i stikkkontakten. Støpselet må ikke forandres på noen som helst måte. Ikke bruk adapterstøpsler sammen med jordede maskiner.** Bruk av støpsler som ikke er forandret på og passende stikkontakter reduserer risikoen for elektriske støt.
 - Unngå kroppskontakt med jordede overflater slik som rør, ovner, komfyrer og kjøleskap.** Det er større fare ved elektriske støt hvis kroppen din er jordet.
 - Hold maskinen unna regn eller fuktighet.** Dersom det kommer vann i et elektroverktøy, øker risikoen for elektriske støt.
 - Ikke bruk ledningen til andre formål, f.eks. til å bære maskinen, henge den opp eller trekke den ut av stikkkontakten. Hold ledningen unna varme, olje, skarpe kanter eller maskindeler som beveger seg.** Med skadede eller opphopede ledninger øker risikoen for elektriske støt.
 - Når du arbeider utendørs med et elektroverktøy, må du kun bruke en skjøteledning som er godkjent til utendørs bruk.** Når du bruker en skjøteledning som er egnet for utendørs bruk, reduseres risikoen for elektriske støt.
 - Hvis det ikke kan unngås å bruke elektroverktøyet i fuktige omgivelser, må du bruke en jordfeilbryter.** Bruk av en jordfeilbryter reduserer risikoen for elektriske støt.
- #### 3) PERSONSIKKERHET
- Vær oppmerksom, pass på hva du gjør, gå fornuftig frem når du arbeider med et elektroverktøy. Ikke**

bruk maskinen når du er trett eller er påvirket av narkotika, alkohol eller medikamenter. Et øyeblikks uoppmerksomhet ved bruk av maskinen kan føre til alvorlige skader.

- b) **Bruk personlig verneutstyr og husk alltid å bruke vernebriller.** Bruk av personlig sikkerhetsutstyr som støvmaske, skilfaste arbeidssko, hjelm eller hørselvern – avhengig av type og bruk av elektroverktøyet – reduserer risikoen for skader.
- c) **Unngå å starte verktøyet ved en feiltagelse. Forviss deg om at elektroverktøyet er slått av før du kobler det til strømmen og/eller batteriet, løfter det opp eller bærer det.** Hvis du holder fingeren på bryteren når du bærer elektroverktøyet eller kobler elektroverktøyet til strømmen i innkoblet tilstand, kan dette føre til uhell.
- d) **Fjern innstillingsverktøy eller skrunøkler før du slår på elektroverktøyet.** Et verktøy eller en nøkkel som befinner seg i en roterende maskindel, kan føre til skader.
- e) **Ikke overvurder deg selv. Sørg for å stå stødig og i balanse.** Dermed kan du kontrollere maskinen bedre i uventede situasjoner.
- f) **Bruk alltid egnede klær. Ikke bruk vide klær eller smykker. Hold hår, tøy og hansker unna deler som beveger seg.** Løstsittende tøy, smykker eller langt hår kan komme inn i deler som beveger seg.
- g) **Hvis det kan monteres støvavsug- og oppsamlingsinnretninger, må du forvise deg om at disse er tilkoblet og brukes på korrekt måte.** Bruk av et støvavsug reduserer farer på grunn av støv.
- 4) **AKTSOM HÅNDTERING OG BRUK AV ELEKTROVERKTØY**
 - a) **Ikke overbelast maskinen. Bruk et elektroverktøy som er beregnet til den type arbeid du vil utføre.** Med et passende elektroverktøy arbeider du bedre og sikrere i det angitte effektområdet.
 - b) **Ikke bruk elektroverktøy med defekt på-/avbryter.** Et elektroverktøy som ikke lenger kan slås av eller på, er farlig og må repareres.
 - c) **Trekk støpselet ut av stikkkontakten og/eller fjern batteriet før du utfører innstillinger på elektroverktøyet, skifter tilbehørsdeler eller legger maskinen bort.** Disse tiltakene forhindrer en utilsiktet startung av maskinen.
 - d) **Elektroverktøy som ikke er i bruk må oppbevares utilgjengelig for barn. Ikke la maskinen brukes av personer som ikke er fortlroelig med dette eller ikke har lest disse anvisningene.** Elektroverktøy er farlige når de brukes av uerfarne personer.
 - e) **Vær nøye med vedlikeholdet av maskinen. Kontroller om bevegelige maskindeler fungerer feilfritt og ikke klemmes fast, og om deler er brukt eller skadet, slik at dette innvirker på maskinens funksjon. La skadede deler repareres før maskinen brukes.** Dårlig vedlikeholdte elektroverktøy er årsaken til mange uhell.
 - f) **Hold skjæreverktøyene skarpe og rene.** Godt stelte skjæreverktøy med skarpe skjær setter seg ikke så ofte fast og er lettere å føre.
 - g) **Bruk elektroverktøy, tilbehør, verktøy osv. i henhold til disse anvisningene. Ta hensyn til arbeidsforholdene og arbeidet som skal utføres.**

Bruk av elektroverktøy til andre formål enn det som er angitt kan føre til farlige situasjoner.

5) SERVICE

- a) **Maskinen din skal alltid kun repareres av kvalifisert fagpersonale og kun med originale reservedeler.** Slik opprettholdes maskinens sikkerhet.

SIKKERHEDSINSTRUKSER FOR STIKSAVE

ELEKTRISK SIKKERHET

- Sjekk alltid at tilført spenningen er den samme som oppgitt på verktøyets merkeplate
- Bruk ikke verktøyet dersom kabel er skadet; få den skiftet ut af en anerkendt fagmand
- Hvis kablen skades eller kappes under arbeid må kablen ikke berøres, men støpselet straks trekkes ut
- Bruk helt utrullet og sikker skjøteledning med en kapasitet på 16 A

PERSONSIKKERHET

- **Ikke bearbeid asbestholdig material** (asbest kan fremkalle kreft)
- Verktøyet må ikke brukes av personer under 16 år
- Støynivået under arbeid kan overskride 85 dB(A); bruk hørselvern
- Bruk beskyttelsesbriller ved arbeider med material som lager flis
- Støv fra materialer som blyholdig maling, visse tresorter, mineraler og metall kan være skadelig (kontakt med eller inhalering av støv kan gi allergiske reaksjoner og/eller sykdommer i åndedretsorganene for brukeren eller personer i nærheten); **bruk støvmaske og arbeid med støvfjerningsutstyr når det er mulig**
- Visse typer støv er klassifisert som kreftfremkallende (som f.eks. støv fra eik og bøk), spesielt sammen med tilsetningsstoffer for trebehandling; **bruk støvmaske og arbeid med støvfjerningsutstyr når det er mulig**
- Følg de nasjonale krav, når det gjelder støv for de materialer du ønsker å arbeide med
- **Ta alltid ut kontakten før du forandrer innstillinger på sagen eller skifter tilbehør**

FØR BRUK

- Sjekk at verktøyet er i funksjonell stand før det tas i bruk; hvis verktøyet er defekt, skal det alltid repareres av fagfolk; du må aldri åpne verktøyet selv
- Rydd unna alle hindringer i arbeidsområdet før du begynner å sage
- Ungå skade p.g.a. skruer, spiker eller andre elementer i arbeidsstykket; fjernes før man starter jobben
- **Sett fast arbeidsstykket** (et arbeidsstykke som er sikret med klemmer, sitter sikrere enn om det holdes fast for hånd)

UNDER BRUK

- **Hold elektroverktøyet på de isolerte gripeflatene, hvis du utfører arbeid der innsats tilbehøret kan treffe på skjulte strømledninger eller den egne strømledningen** (kontakt med en spenningsførende ledning kan også sette elektroverktøyets metalldele under spenning og føre til elektriske støt)
- Hold alltid kablen borte fra bevegelige deler på verktøyet; før kablen bakover bort fra verktøyet
- I tilfelle en elektrisk eller mekanisk svikt, skal verktøyet med en gang slås av og støpset trekkes ut
- Hold hendene unna sagbladet mens motoren er i gang

TILBEHØR

- SKIL kan kun garantere et feilfritt verktøy dersom original-tilbehør brukes
- Bruk aldri skjævt, deformert eller sløvt sagblad

BRUK

- Når verktøyet skal brukes utendørs, må det koples til en feilstrømbryter (FI) feilstrømbryter som vil kople ut på 30 mA maksimum; det skal også bare brukes skjøteledninger som er beregnet for bruk utendørs og som er utstyrt med sprutsikker stikkontakt

ETTER BRUK

- Når du setter bort verktøyet må bryteren slås av, bevegelige deler må være helt stoppet

BRUK

- Av/på ④
- Låsning av bryteren for permanent drift ⑤
- Bladbytte ⑥
- ! sett bladet helt inn med tennene forover ⑦
- Saging ved 15°/30°/45° ⑧
- Støvsuging ⑨a
- ! bruk ikke støvsuger ved skjæring i metall
- Støvblåsning ⑨b
- Bruk av verktøyet
 - for innkopling, pass alltid på at forsiden av fotsåle ligger flatt på arbeidsstykket
 - hold verktøyet godt fast slik at du alltid har full kontroll over verktøyet
- ! under arbeid, hold verktøyet alltid i grått(gråe) grepsområde(r) ⑩
- forsikre deg om at fotsålen ligger sikkert på hele flaten
- ! forsikre deg om at bladet har stoppet helt før du løfter verktøyet fra arbeidsstykket
- hold ventilasjonsåpningen C ⑫ utillekket

BRUKER TIPS

- Bruk riktig sagblad ⑪
- ! de fleste vanlige sagblad med T-tange eller U-tange kan brukes sammen med verktøyet ⑫
- Ved boring i metaller, smør sagbladet regelmessig med olje
- For nøyaktig rette kutt, før verktøyet med fotsålen mot kanten av et rett stykke tre ⑬
- Bor først et hull før man starter saging av utskjæringer ⑭
- Splintfri saging
 - skjærm snittlinjen med flere lager av vide tape før man starter sagingen
 - sag alltid på baksiden av materialet
- Se flere tips på www.skil.com

VEDLIKEHOLD / SERVICE

- Dette verktøyet er ikke beregnet på profesjonell bruk
- Hold alltid verktøyet og kabelen ren (spesielt ventilasjonshullene C ⑫)
- ! dra ut støpselet for rengjøring
- Hvis elektroverktøyet til tross for omhyggelige produksjons- og kontrollmetoder en gang skulle svikte, må reparasjonen utføres av et autorisert serviceverksted for SKIL-elektroverktøy

- send verktøyet i montert tilstand sammen med kjøpebevis til forhandleren eller nærmeste SKIL servicesenter (adresser liksom service diagram av verktøyet finner du på www.skil.com)

MILJØ

- **Kast aldri elektroverktøy, tilbehør og emballasje i husholdningsavfallet** (kun for EU-land)
 - i henhold til EU-direktiv 2012/19/EF om kasserte elektriske og elektroniske produkter og direktivets iverksetting i nasjonal rett, må elektroverktøy som ikke lenger skal brukes, samles separat og returneres til et miljøvennlig gjenvinningsanlegg
 - symbolet ⑮ er påtrykt som en påminnelse når utskifting er nødvendig

SAMSVARERKLÆRING CE

Stikksag 4285

Tekniske data ①

- Vi erklærer som eneansvarlig at produktet som beskrives under "Tekniske data" stemmer overens med følgende normer eller normative dokumenter: EN 60745, EN 61000, EN 55014, jf. bestemmelsene i direktivene 2014/30/EU, 2006/42/EF, 2011/65/EU
- **Tekniske underlag hos:** SKIL Europe BV (PT-SEU/ENG1), 4825 BD Breda, NL

Marijn van der Hoofden
Operations & Engineering

Olaf Dijkgraaf
Approval Manager

SKIL Europe BV, 4825 BD Breda, NL

02.02.2015

STØY/VIBRASJON

- Målt ifølge EN 60745 er lydtryknivået av dette verktøyet 84 dB(A) og lydstyrkenivået 95 dB(A) (standard deviasjon: 3 dB), og vibrasjonsnivået * m/s² (vektorsum fra tre retninger; usikkerhet K = 1,5 m/s²)
 - * ved skjæring i tre 11,9 m/s²
 - * ved skjæring i metall 12,4 m/s²
- Det avgitte vibrasjonsnivået er blitt målt i samsvar med en standardisert test som er angitt i EN 60745; den kan brukes til å sammenligne et verktøy med et annet, og som et foreløpig overslag over eksponering for vibrasjoner ved bruk av verktøyet til de oppgavene som er nevnt
 - bruk av verktøyet til andre oppgaver, eller med annet eller mangelfullt vedlikeholdt utstyr, kan gi en vesentlig økning av eksponeringsnivået
 - tidsrommene når verktøyet er avslått eller når det går men ikke arbeider, kan gi en vesentlig reduksjon av eksponeringsnivået
- ! beskytt deg selv mot virkningene av vibrasjoner ved å vedlikeholde dokumenter og utstyret, holde hendene varme og organisere arbeidsmåten din

ESITTELY

- Koneet on tarkoitettu suorittamaan katkaisu ja aukkosahauksia puuhun, muoviin, metalliin, ja soveltuu suorille ja kaareville sahausille; kahteen suuntaan säädettävän pohjanlevyn ansiosta viistosahaukseen jopa 45° asteen kulmassa
- Tätä työkalua ei ole tarkoitettu ammattikäyttöön
- Lue ja säilytä tämä ohjekirja ③

TEKNISET TIEDOT ①

LAITTEEN OSAT ②

- A Käynnistyskytkin
- B Kytkimen lukituksen painike
- C Ilmanvaihto-aukot
- D Säilytyspaikka kuusiokoloavainta varten

TURVALLISUUS

YLEISET TURVALLISUUSOHJEET

⚠ HUOMIO! Lue kaikki turvallisuus- ja muut ohjeet. Turvallisuusohjeiden noudattamisen laiminlyönti saattaa johtaa sähköiskuun, tulipaloon ja/tai vakavaan loukkaantumiseen. **Säilytä kaikki turvallisuus- ja muut ohjeet tulevaisuutta varten.** Turvallisuusohjeissa käytetty käsite "sähkötyökalu" käsittää verkkokäyttöisiä sähkötyökaluja (verkkojohdolla) ja akkukäyttöisiä sähkötyökaluja (ilman verkkojohdtoa).

1) TYÖPAIKAN TURVALLISUUS

- a) **Pidä työskentelyalue puhtaana ja hyvin valaistuna.** Työpaikan epäjärjestys tai valaisemattomat työalueet voivat johtaa tapaturmiin.
- b) **Älä työskentele sähkötyökalulla räjähdysalttiissa ympäristössä, jossa on palavaa nestettä, kaasua tai pölyä.** Sähkötyökalu muodostaa kipinöitä, jotka saattavat sytyttää pölyn tai höyryt.
- c) **Pidä lapset ja sivulliset loitolla sähkötyökalua käyttäessäsi.** Voit menettää laitteesi hallinnan, huomiosi suuntautuessa muualle.

2) SÄHKÖTURVALLISUUS

- a) **Sähkötyökalun pistotulpan tulee sopia pistorasiaan.** Pistotulppaa ei saa muuttaa millään tavalla. Älä käytä mitään pistorasia-adaptereita maadoitettujen sähkötyökalujen kanssa. Alkuperäisessä kunnossa olevat pistotulpat ja sopivat pistorasiat vähentävät sähköiskun vaaraa.
- b) **Vältä koskettamasta maadoitettuja pintoja, kuten putkia, pattereita, liesiä tai jääkaappeja.** Sähköiskun vaara kasvaa, jos kehoosi on maadoitettu.
- c) **Älä aseta sähkötyökalua alttiiksi satelleille tai kosteudelle.** Veden tunkeutuminen sähkötyökalun sisään kasvattaa sähköiskun riskiä.
- d) **Älä käytä verkkojohdtoa väärin. Älä käytä sitä sähkötyökalun kantamiseen, vetämiseen tai**

pistotulpan irrottamiseen pistorasiasta. Pidä johto loitolla kuumuudesta, öljystä, terävistä reunoista ja liikkuvista osista. Vahingoittuneet tai sokeutuneet johdot kasvattavat sähköiskun vaaraa.

- e) **Käyttäessäsi sähkötyökalua ulkona, käytä ainoastaan ulkokäyttöön soveltuvaan jatkojohtoa.** Ulkokäyttöön soveltuvan jatkojohdon käyttö pienentää sähköiskun vaaraa.
- f) **Jos sähkötyökalun käyttö kosteassa ympäristössä ei ole vältettävissä, tulee käyttää maavuotokatkaisijaa.** Maavuotokatkaisijan käyttö vähentää sähköiskun vaaraa.

3) HENKILÖTURVALLISUUS

- a) **Ole valpas, kiinnitä huomiota työskentelyysi ja noudata tervettä järkeä sähkötyökalua käyttäessäsi. Älä käytä sähkötyökalua, jos olet väsynyt tai huumeiden, alkoholin tahi lääkkeiden vaikutuksen alaisena.** Hetken tarkkaamattomuus sähkötyökalua käytettäessä, saattaa johtaa vakavaan loukkaantumiseen.
- b) **Käytä suojarusteita. Käytä aina suojalaseja.** Henkilökohtaisen suojarustuksen käyttö, kuten pölynaamarin, luistamattomien turvakenkien, suojakypärän tai kuulonsuojaimien, riippuen sähkötyökalun lajista ja käyttötavasta, vähentää loukkaantumisriskiä.
- c) **Vältä tahatonta käynnistämistä. Varmista, että sähkötyökalu on poiskytkettynä, ennen kuin liität sen sähköverkkoon ja/tai liität akun, otat sen käteen tai kannat sitä.** Jos kannat sähkötyökalua sormi käynnistyskytkimellä tai kytket sähkötyökalun pistotulpan pistorasiaan, käynnistyskytkimen ollessa käyntiasennossa, altistat itsesi onnettomuuksille.
- d) **Poista kaikki säätötyökalut ja ruuvitaltat, ennen kuin käynnistät sähkötyökalun.** Työkalu tai avain, joka sijaitsee laitteen pyörivässä osassa, saattaa johtaa loukkaantumiseen.
- e) **Älä ylläriivoi itseäsi. Huolehdi aina tukevasta seisoma-asennosta ja tasapainosta.** Täten voit paremmin hallita sähkötyökalua odottamattomissa tilanteissa.
- f) **Käytä tarkoitukseen soveltuvia vaatteita. Älä käytä löysiä työvaatteita tai koruja. Pidä hiukset, vaatteet ja käsinneet loitolla liikkuvista osista.** Väljät vaatteet, korut ja pitkät hiukset voivat takertua liikkuviin osiin.
- g) **Jos polynimu- ja keräilylaitteita voidaan asentaa, tulee sinun tarkistaa, että ne on liitetty ja että ne käytetään oikealla tavalla.** Polynimilaitteiston käyttö vähentää pölyn aiheuttamia vaaroja.

4) SÄHKÖTYÖKALUJEN KÄYTTÖ JA HOITO

- a) **Älä ylikuormita laitetta. Käytä kyseiseen työhön tarkoitettua sähkötyökalua.** Sopivaa sähkötyökalua käyttäen työskentelet paremmin ja varmemmin tehoalueella, jolle sähkötyökalu on tarkoitettu.
- b) **Älä käytä sähkötyökalua, jota ei voida käynnistää ja pysäyttää käynnistyskytkimestä.** Sähkötyökalu, jota ei enää voida käynnistää ja pysäyttää käynnistyskytkimellä, on vaarallinen ja se täytyy korjata.
- c) **Irrota pistotulppa pistorasiasta, ennen kuin suoritat säätöjä, vaihdat tarvikkeita tai siirrä sähkötyökalun varastoitavaksi.** Nämä turvatoimenpiteet pienentävät sähkötyökalun tahattoman käynnistysriskin.

- d) Säilytä sähkötyökalut poissa lasten ulottuvilta, kun niitä ei käytetä. Älä anna sellaisten henkilöiden käyttää sähkötyökalua, jotka eivät tunne sitä tai jotka eivät ole lukeneet tätä käyttöohjetta.

Sähkötyökalut ovat vaarallisia, jos niitä käyttävät kokemattomat henkilöt.

- e) **Hoida sähkötyökalusi huolella. Tarkista, että liikkuvat osat toimivat moitteettomasti, eivätkä ole puristuksessa sekä, että siinä ei ole murtuneita tai vahingoittuneita osia, jotka saattaisivat vaikuttaa haitallisesti sähkötyökalun toimintaan. Anna korjauttaa mahdolliset viat ennen käyttöönottoa.** Monen tapaturman syyt löytyvät huonosti huolletuista laitteista.
- f) **Pidä leikkausterät terävinä ja puhtaina.** Huolellisesti hoidetut leikkaustyökalut, joiden leikkausreunat ovat teräviä, eivät tartu helposti kiinni ja niitä on helpompi hallita.
- g) **Käytä sähkötyökaluja, tarvikkeita, vaihtotyökaluja jne. näiden ohjeiden mukaisesti. Ota tällöin huomioon työolosuhteet ja suoritettava toimenpide.** Sähkötyökalun käyttö muuhun kuin sille määrättyyn käyttöön, saattaa johtaa vaarallisiin tilanteisiin.
- 5) HUOLTO**
- a) **Anna koulutettujen ammattihenkilöiden korjata sähkötyökalusi ja hyväksy korjauksiin vain alkuperäisiä varaosia.** Täten varmistat, että sähkötyökalu säilyy turvallisena.

PISTOSAHAN TURVALLISUUSOHJEET

SÄHKÖTURVALLISUUS

- Tarkista aina, että syöttöjännite on sama kuin työkalun nimiltaan osoittama jännite
- Älä käytä työkalua, kun johto on vioittunut; vaan toimita se valtuutettuun huoltoliikkeeseen
- Jos sähköjohto vahingoittuu tai katkeaa työn aikana ei johtoa saa koskettaa, vaan pistotulppa on välittömästi irrotettava pistorasiasta
- Käytä täysin rullaamattomia ja turvallisia jatkejohtoja, joiden kapasiteetti on 16 ampeeria

HENKILÖTURVALLISUUS

- **Älä koskaan työstä asbestipitoista ainetta** (asbestia pidetään karsinogeenisena)
- Tätä työkalua saavat käyttää vain 16 vuotta täyttäneet henkilöt
- Työskenneltäessä melutaso saattaa ylittää 85 dB(A); jolloin suositellaan kuulosuojaimien käyttöä
- Työstettäessä on käytettävä soujalaseja
- Materiaaleista, kuten liijypitoinen maali, jotkut puulajit, mineraalit ja metalli, tuleva pöly voi olla vahingollista (kosketuksiin joutuminen pölyn kanssa tai sen sisään hengittäminen voi aiheuttaa käyttäjälle tai sivustakatsojille allergiareaktioita ja/tai hengitysvaivoja); **käytä pölynaamaria ja työskentele pölynpoistolaitteen kanssa, kun sellainen on liitettävissä**
- Tietyntyyppiset pölyt on luokiteltu karsinogeenisiksi (kuten tammivi- ja pyökkipöly) erityisesti puun käsittelyyn käytettävien lisäaineiden yhteydessä; **käytä pölynaamaria ja työskentele pölynpoistolaitteen kanssa, kun sellainen on liitettävissä**
- Noudata maakohtaisia pölyyn liittyviä sääntöjä

- **Irrota aina pistotulppa pistorasiasta, ennen kuin suoritat laitteelle mitään säätöjä tai vaihdat tarviketta**

ENNEN KÄYTTÖÄ

- Tarkista työkalun toiminta aina ennen sen käyttöä ja mahdollisen vian löytyessä anna se välittömästi ammattitaitoisen henkilön korjattavaksi; älä koskaan itse avaa työkalua
- Poista kaikki esteet sahauslinjan ylä- ja alapuolelta ennen sahausta
- Vältä vaaralliset vahingot, jotka voivat aiheutua nauloista, ruuveista tai muista aineista työstettävissä materiaalissa; poista ne ennen työskentelyn aloittamista
- **Kiinnitä työstettävä kappale** (kiinnittimeen tai puristimeen kiinnitetty työstettävä kappale pysyy tukevammin paikoillaan kuin käsin pidettäessä)

KÄYTÖN AIKANA

- **Tartu sähkötyökaluun ainoastaan eristetyistä pinnoista, tehdessäsi työtä, jossa vaihtotyökalu saattaisi osua piilossa olevaan sähköjohtoon tai sähkötyökalun omaan sähköjohtoon** (kosketus jännitteeseen johtoon voi saattaa sähkötyökalun metalliosat jännitteisiksi ja johtaa sähköiskuun)
- Pidä johto aina poissa työkalun liikkuvien osien läheisyydestä; kohdistu johto takaosaa kohti pois työkalusta
- Jos huomaat sähköisen tai mekaanisen vian, sammuta kone heti ja irrota liitosjohto pistorasiasta
- Pidä kädet etäällä pyörivästä sahanterästä

VARUSTEET

- SKIL pystyy takaamaan työkalun moitteettoman toiminnan vain, kun käytetään alkuperäisiä tarvikkeita
- Älä käytä rikkinaistä, tylsää tai vääräntyynyttä sahanterää

KÄYTTÖ ULKOTILASSA

- Ulkotilassa käytettäessä liitä työkalu vikavirran (FI) piirikatkaisimen kautta laukaisuvirtaan, jonka maksimi on 30 mA ka; käytä vain sellaista jatkojohtoa, joka on tarkoitettu ulkotilassa käytettäväksi ja varustettu roiskevedenpitävällä kytkentäliittimellä

KÄYTÖN JÄLKEEN

- Kun panet koneen pois, sammuta moottori ja varmista, että kaikki liikkuvat osat ovat pysähtyneet

KÄYTTÖ

- Käynnistys/pysäytys ④
- Kytkimen lukitseminen jatkuvaa käyttöä varten ⑤
- Sahanterän vaihto ⑥
- **! työnä terä aivan pohjaan; hampaiden on osoitettava eteenpäin ⑦**
- Sahaus 15°/30°/45° kulmassa ⑧
- Pölynimu ⑨a
- **! älä käytä pölynimuria kun sahaat metalleja**
- Pölypuhallustoiminto ⑨b
- Työkalun käyttö
 - ennen koneen käynnistystä varmista aina, että etuosa lepää etusivu tukeaa tasaisesti työkappaleen päällä
 - pidä konetta tukevalla otteella niin, että hallitset koneen täydellisesti koko ajan
- **! pidä työkalusta kiinni aina työskentelyn aikana harmaan värisestä kädensija(o)sta ⑩**
- varmista, että aikana tulee tukea koko pinnaltaan työkappaleeseen

- ! **varmista, että terä on täysin pysähtynyt, ennen kuin irrotat sen työkappaleesta**
- pidä ilmanvaihto-aukkoja C ② peittämättöminä

VINKKEJÄ

- Käytä oikeita sahanteriä ①
- ! **työkalu hyväksyy useimmat yleisesti tarjolla olevat T-varitset ja U-variset terät ②**
- Metallia sahattaessa voitele sahanteriä öljyllä säännöllisin väliajoin
- Tarkan ja suoran katkaisusahausten saamiseksi ohjaa työkalua jalkalaatalla suorareunaisen puupalasen reunaa pitkin ③
- Poraa alkureikä ennen aukkojen sahaamista ④
- Repeämätön katkaisusahaus
 - peitä sahauslinja useilla kerroksilla teippiä ennen sahausksen suorittamista
 - aseta työstettävänä olevan kappaleen hyvä puoli aina alaspäin
- Lisävinkkejä on tarjolla web-osoitteessa www.skil.com

HOITO / HUOLTO

- Tätä työkalua ei ole tarkoitettu ammattikäyttöön
- Pidä työkalu ja johto puhtaina (varmista erityisesti ilma-aukkojen puhtaus C ②)
- ! **irrota liitosjohto aina puhdistuksen ajaksi pistorasiasta**
- Jos sähkötyökalussa, huolellisesta valmistuksesta ja koestusmenettelystä huolimatta esiintyy vikaa, tulee korjaus antaa SKIL sopimushuollon tehtäväksi
 - toimita työkalu sitä osiin **purkamatta** lähimpään SKIL-huoltoon (osoitteet ja työkalun huoltokaava ovat tarjolla web-osoitteessa www.skil.com) ostotodiste mukaan liitettynä

YMPÄRISTÖSUOJELU

- **Älä hävitä sähkötyökalua, tarvikkeita tai pakkausta tavallisen kotitalousjätteen mukana** (koskee vain EU-maita)
 - vanhoja sähkö- ja elektroniikkalaitteita koskevan EU-direktiivin 2012/19/ETY ja sen maakohtaisten sovellusten mukaisesti käytetyt sähkötyökalut on toimitettava ongelmajätteen keräyspisteeseen ja ohjattava ympäristöystävälliseen kierrätykseen
 - symboli ⑮ muistuttaa tästä, kun käytöstä poisto tulee ajankohtaiseksi

VAATIMUSTEN- MUKAISUUSVAKUUTUS C €

Pistosaha 4285

Tekniset tiedot ①

- Vakuutamme yksin vastaavamme siitä, että kohdassa "Tekniset tiedot" selostettu tuote vastaa seuraavia standardeja tai standardoituja asiakirjoja: EN 60745, EN 61000, EN 55014 direktiivien 2014/30/EU, 2006/42/EY, 2011/65/EU määräysten mukaan

- **Tekninen tiedosto kohdasta:** SKIL Europe BV (PT-SEU/ENG1), 4825 BD Breda, NL

Marijn van der Hoofden
Operations & Engineering

Olaf Dijkgraaf
Approval Manager




SKIL Europe BV, 4825 BD Breda, NL

02.02.2015

MELU/TÄRINÄ

- Mitattuna EN 60745 mukaan työkalun melutaso on 84 dB(A) ja yleensä työkalun äänen voimakkuus on 95 dB(A) (keskihajonta: 3 dB), ja tärinän voimakkuus * m/s² (kolmen suunnan vektorisumma; epävarmuus K = 1,5 m/s²)
 - * puun sahattaessa 11,9 m/s²
 - * metallin sahattaessa 12,4 m/s²
- Tärinäseiteilytaso on mitattu standardin EN 60745 mukaisen standarditestin mukaisesti; sitä voidaan käyttää verrattaessa yhtä laitetta toiseen sekä alustavana tärinälle altistumisen arviona käytettäessä laitetta manituissa käyttötarkoituksissa
 - laitteen käyttö eri käyttötarkoituksiin tai erilaisten tai huonosti ylläpidettyjen lisälaitteiden kanssa voi **lisätä** merkittävästi altistumistasoa
 - laitteen ollessa sammuksissa tai kun se on käynnissä, mutta sillä ei tehdä työtä, altistumistaso voi olla huomattavasti **pienempi**
- ! **suojaudu tärinän vaikutuksilta ylläpitämällä laite ja sen lisävarusteet, pitämällä kädet lämpiminä ja järjestämällä työmenetelmät**

E

Sierra de calar

4285

INTRODUCCIÓN

- Esta herramienta ha sido proyectada para efectuar cortes y recortes en madera, materiales sintéticos, y es adecuada para efectuar cortes rectos y en curva con ángulos de inglete hasta 45°
- Esta herramienta no está concebida para uso profesional
- Lea y conserve este manual de instrucciones ③

DATOS TÉCNICOS ①

ELEMENTOS DE LA HERRAMIENTA ②

- A Interruptor para encendido/apagado
- B Botón para bloquear el interruptor
- C Ranuras de ventilación
- D Alojamiento para la llave hexagonal

SEGURIDAD

INSTRUCCIONES GENERALES DE SEGURIDAD

⚠ ¡ATENCIÓN! Lea íntegramente estas advertencias de peligro e instrucciones. En caso de no atenderse a las

advertencias de peligro e instrucciones siguientes, ello puede ocasionar una descarga eléctrica, un incendio y/o lesión grave. **Guardar todas las advertencias de peligro e instrucciones para futuras consultas.** El término "herramienta eléctrica" empleado en las siguientes advertencias de peligro se refiere a herramientas eléctricas de conexión a la red (con cable de red) y a herramientas eléctricas accionadas por acumulador (o sea, sin cable de red).

1) SEGURIDAD DEL PUESTO DE TRABAJO

- a) **Mantenga limpia y bien iluminada su área de trabajo.** El desorden o una iluminación deficiente en las áreas de trabajo pueden provocar accidentes.
- b) **No utilice la herramienta eléctrica en un entorno con peligro de explosión, en el que se encuentren combustibles líquidos, gases o material en polvo.** Las herramientas eléctricas producen chispas que pueden llegar a inflamar los materiales en polvo o vapores.
- c) **Mantenga alejados a los niños y otras personas de su área de trabajo al emplear la herramienta eléctrica.** Una distracción le puede hacer perder el control sobre la herramienta.

2) SEGURIDAD ELÉCTRICA

- a) **El enchufe de la herramienta debe corresponder a la toma de corriente utilizada. No es admisible modificar el enchufe en forma alguna. No emplear adaptadores en herramientas dotadas con una toma de tierra.** Los enchufes sin modificar adecuados a las respectivas tomas de corriente reducen el riesgo de una descarga eléctrica.
- b) **Evite que su cuerpo toque partes conectadas a tierra como tuberías, radiadores, cocinas y refrigeradores.** El riesgo a quedar expuesto a una descarga eléctrica es mayor si su cuerpo tiene contacto con tomas de tierra.
- c) **No exponga las herramientas eléctricas a la lluvia o a condiciones de humedad.** Existe el peligro de recibir una descarga eléctrica si penetran líquidos en la herramienta.
- d) **No utilice el cable de red para transportar o colgar la herramienta, ni tire de él para sacar el enchufe de la toma de corriente. Mantenga el cable de red alejado del calor, aceite, esquinas cortantes o piezas móviles.** Los cables de red dañados o enredados pueden provocar una descarga eléctrica.
- e) **Al trabajar con la herramienta eléctrica en la intemperie utilice solamente cables de prolongación homologados para su uso en exteriores.** La utilización de un cable de prolongación adecuado para su uso en exteriores reduce el riesgo de una descarga eléctrica.
- f) **Si el funcionamiento de una herramienta eléctrica en un lugar húmedo fuese inevitable, utilice un cortacircuito de fuga a tierra.** El uso de un cortacircuito de fuga a tierra reduce el riesgo de descarga eléctrica.

3) SEGURIDAD DE PERSONAS

- a) **Esté atento y emplee la herramienta con prudencia. No utilice la herramienta eléctrica si estuviese cansado, ni bajo los efectos de alcohol, drogas o**

medicamentos. El no estar atento durante el uso de una herramienta eléctrica puede provocarle serias lesiones.

- b) **Utilice un equipo de protección personal y en todo caso unas gafas de protección.** El riesgo a lesionarse se reduce considerablemente si, dependiendo del tipo y la aplicación de la herramienta eléctrica empleada, se utiliza un equipo de protección adecuado como una mascarilla antipolvo, zapatos de seguridad con suela antideslizante, casco, o protectores auditivos.
- c) **Evite una puesta en marcha fortuita. Asegurarse de que la herramienta eléctrica esté desconectada antes de conectarla a la toma de corriente y/o al montar el acumulador, al recogerla, y al transportarla.** Si transporta la herramienta eléctrica sujetándola por el interruptor de conexión/desconexión, o si introduce el enchufe en la toma de corriente con la herramienta eléctrica conectada, ello puede dar lugar a un accidente.
- d) **Retire las herramientas de ajuste o llaves fijas antes de conectar la herramienta eléctrica.** Una herramienta o llave colocada en una pieza rotativa puede producir lesiones graves al accionar la herramienta eléctrica.
- e) **Sea precavido. Trabaje sobre una base firme y mantenga el equilibrio en todo momento.** Ello le permitirá controlar mejor la herramienta eléctrica en caso de presentarse una situación inesperada.
- f) **Lleve puesta una vestimenta de trabajo adecuada. No utilice vestimenta amplia ni joyas. Mantenga su pelo, vestimenta y guantes alejados de las piezas móviles.** La vestimenta suelta, las joyas y el pelo largo se pueden enganchar con las piezas en movimiento.
- g) **Siempre que sea posible utilizar equipos de aspiración o captación de polvo, asegúrese que éstos estén montados y que sean utilizados correctamente.** El empleo de estos equipos reduce los riesgos derivados del polvo.

4) CUIDADO Y UTILIZACIÓN DE HERRAMIENTAS ELÉCTRICAS

- a) **No sobrecargue la herramienta. Use la herramienta prevista para el trabajo a realizar.** Con la herramienta adecuada podrá trabajar mejor y con mayor seguridad dentro del margen de potencia indicado.
- b) **No utilice herramientas con un interruptor defectuoso.** Las herramientas que no se puedan conectar o desconectar son peligrosas y deben repararse.
- c) **Saque el enchufe de la red y/o desmonte el acumulador antes de realizar un ajuste en la herramienta eléctrica, cambiar de accesorio o al guardar la herramienta eléctrica.** Esta medida preventiva reduce el riesgo de conectar accidentalmente la herramienta.
- d) **Guarde las herramientas fuera del alcance de los niños y de las personas que no estén familiarizadas con su uso.** Las herramientas utilizadas por personas inexpertas son peligrosas.
- e) **Cuide sus herramientas con esmero. Controle si funcionan correctamente, sin atascarse, las partes móviles de la herramienta, y si existen partes rotas o deterioradas que pudieran afectar al funcionamiento de la herramienta. Si la herramienta eléctrica estuviese defectuosa haga repararla antes**

de volver a utilizarla. Muchos de los accidentes se deben a herramientas con un mantenimiento deficiente.

- f) **Mantenga los útiles limpios y afilados.** Los útiles mantenidos correctamente se dejan guiar y controlar mejor.
- g) **Utilice herramientas eléctricas, accesorios, útiles, etc. de acuerdo con estas instrucciones, teniendo en cuenta las condiciones de trabajo y la tarea a realizar.** El uso de herramientas eléctricas para trabajos diferentes de aquellos para los que han sido concebidas puede resultar peligroso.

5) SERVICIO

- a) **Únicamente haga reparar su herramienta eléctrica por un profesional, empleando exclusivamente piezas de repuesto originales.** Solamente así se mantiene la seguridad de la herramienta eléctrica.

INSTRUCCIONES DE SEGURIDAD PARA SIERRAS DE CALAR

SEGURIDAD ELÉCTRICA

- Compruebe siempre que la tensión de alimentación es la misma que la indicada en la placa de características de la herramienta
- No utilizar la herramienta cuando el cable esté dañado; hágalo cambiar por una persona calificada
- Si llega a dañarse o cortarse el cable eléctrico durante el trabajo, no tocar el cable, sino extraer inmediatamente el enchufe de la red
- Utilice cables de extensión seguros y completamente desenrollados con una capacidad de 16 amperios

SEGURIDAD DE PERSONAS

- **No trabaje materiales que contengan amianto** (el amianto es cancerígeno)
- Esta herramienta no debe utilizarse por personas menores de 16 años
- El nivel de ruido, con la herramienta trabajando, podrá sobrepasar 85 dB(A); usar protectores auditivos
- Al procesar materiales que producen viruta, usar anteojos de protección
- El polvo del material, como por ejemplo la pintura que contiene plomo, algunas especies de madera, minerales y metal podrían ser dañinos (el contacto o inhalación del polvo podría producir reacciones alérgicas y/o trastornos respiratorios al operador u otras personas cerca); **utilice una máscara contra el polvo y trabaje con un dispositivo de extracción de polvo cuando lo conecte**
- Ciertos tipos de polvo están catalogados como cancerígenos (por ejemplo el polvo de roble y de haya) especialmente junto con aditivos para el acondicionamiento de la madera; **utilice una máscara contra el polvo y trabaje con un dispositivo de extracción de polvo cuando lo conecte**
- Siga la normativa nacional en cuanto a extracción de polvo, en función de los materiales que vayan a ser utilizados
- **Desenchufar siempre la herramienta antes de realizar cualquier ajuste o cambiar algún accesorio**

ANTES DEL USO

- Compruebe el funcionamiento de la herramienta cada vez que vaya a utilizarla; en el caso de que presentara

algún defecto, llévelo a una persona cualificada para que lo repare; no abra nunca la herramienta

- Antes de empezar a cortar, aparte todos los obstáculos que haya encima y debajo de la línea de corte
- Evite los daños que puedan causar los tornillos, clavos y otros objetos sobre la pieza de trabajo; retírelos antes de empezar a trabajar
- **Asegure la pieza de trabajo** (una pieza de trabajo fijada con unos dispositivos de sujeción o en un tornillo de banco, se mantiene sujeta de forma mucho más segura que con la mano)

DURANTE EL USO

- **Sujete la herramienta eléctrica por las superficies de agarre aisladas al realizar trabajos en los que el accesorio pueda tocar conductores eléctricos ocultos o el propio cable** (el contacto con conductores bajo tensión puede hacer que las partes metálicas de la herramienta eléctrica le provoquen una descarga eléctrica)
- Mantenga siempre el cable lejos de las partes móviles de la herramienta; mantenga el cable detrás de usted, lejos de la herramienta
- En el caso de que se produjera un mal funcionamiento eléctrico o mecánico, apague inmediatamente la herramienta y desconecte el enchufe
- Aparte las manos de la hoja de sierra durante la siega

ACCESORIOS

- SKIL únicamente puede garantizar un funcionamiento correcto de la herramienta al emplear accesorios originales
- No utilice nunca hojas rotas, desformadas o desgastadas

USO EXTERIOR

- Cuando utilice la herramienta en el exterior, enchúfela a través del interruptor de la corriente (FI) con un interruptor diferencial de 30 mA como máximo; sólo utilice un cable de extensión apropiado para su uso en el exterior y equipado con un enchufe a prueba de salpicaduras

DESPUÉS DEL USO

- Ponga atención al guardar su herramienta de que el motor está apagado y las partes móviles están parados

USO

- Encendido/apagado ④
- Bloqueo del interruptor para uso permanente ⑤
- Cambio de la hoja de sierra ⑥
 - ! insertar la hoja hasta el fondo con los dientes mirando hacia delante ⑦
- Corte a 15°/30°/45° ⑧
- Aspiración de polvo ⑨a
 - ! no utilizar el aspirador al cortar metales
- Soplador de polvo ⑨b
- Utilización de la herramienta
 - antes de poner en marcha la herramienta, asegúrese de que la parte delantera de la pata esté tendida sobre la pieza a trabajar
 - sujete la herramienta firmemente con ambas manos, de modo que tenga pleno control sobre ella todo el tiempo
- ! durante el trabajo, sujete siempre la herramienta por la(s) zona(s) de empuñadura de color gris ⑩
 - asegúrese que la pata esté apoyada de manera que asiente firmemente en toda su superficie

! asegurese que la hoja esté completamente parada antes de que la levante de la pieza a trabajar

- mantenga las ranuras de ventilación C ② descubiertas

CONSEJOS DE APLICACIÓN

- Utilice las hojas de sierra adecuadas ⑪
- ! la herramienta acepta la mayoría de sierras hojas con inserción T y hojas con inserción U ⑫
- Al cortar metales, engrase la hoja de sierra regularmente con aceite
- Para un corte preciso y recto, guíe la herramienta con la placa base a lo largo del borde de una pieza recta de madera ⑬
- Pretaladre antes un agujero antes de efectuar recortes ⑭
- Corte sin astillas
 - tape la línea de corte con varias capas de cinta de papel engomado ancho antes de cortar
 - ponga siempre el lado bueno de la pieza de trabajo hacia abajo
- Para más consejos vea www.skil.com

MANTENIMIENTO / SERVICIO

- Esta herramienta no está concebida para uso profesional
- Mantenga limpio el cable eléctrico y la herramienta (sobre todo las ranuras de ventilación C ②)
- ! **desenchufar la herramienta antes de limpiar**
- Si a pesar de los esmerados procesos de fabricación y control, la herramienta llegase a averiarse, la reparación deberá encargarse a un servicio técnico autorizado para herramientas eléctricas SKIL
 - envíe la herramienta **sin desmontar** junto con una prueba de su compra a su distribuidor o a la estación de servicio más cercana de SKIL (los nombres así como el despiece de piezas de la herramienta figuran en www.skil.com)

AMBIENTE

- **No deseche las herramientas eléctricas, los accesorios y embalajes junto con los residuos domésticos** (sólo para países de la Unión Europea)
 - de conformidad con la Directiva Europea 2012/19/CE sobre residuos de aparatos eléctricos y electrónicos y su aplicación de acuerdo con la legislación nacional, las herramientas eléctricas cuya vida útil haya llegado a su fin se deberán recoger por separado y trasladar a una planta de reciclaje que cumpla con las exigencias ecológicas
 - símbolo ⑮ llamará su atención en caso de necesidad de tirarlas

DECLARACIÓN DE CONFORMIDAD CE

Sierra de calar 4285

Datos técnicos ①

- Declaramos bajo nuestra sola responsabilidad que el producto descrito bajo "Datos técnicos" está en conformidad con las normas o documentos normalizados siguientes: EN 60745, EN 61000, EN 55014, de acuerdo con las disposiciones en las directivas 2014/30/UE, 2006/42/CE, 2011/65/UE

- **Expediente técnico en:** SKIL Europe BV (PT-SEU/ENG1), 4825 BD Breda, NL

Marijn van der Hoofden
Operations & Engineering

Olaf Dijkgraaf
Approval Manager

SKIL Europe BV, 4825 BD Breda, NL

02.02.2015

RUIDOS/VIBRACIONES

- Medido según EN 60745 el nivel de la presión acústica de esta herramienta se eleva a 84 dB(A) y el nivel de la potencia acústica a 95 dB(A) (desviación estándar: 3 dB), y la vibración a * m/s² (suma vectorial de tres direcciones; incertidumbre K = 1,5 m/s²)
 - * al cortar madera 11,9 m/s²
 - * al cortar metales 12,4 m/s²
- El nivel de emisión de vibraciones ha sido medido según una prueba estándar proporcionada en EN 60745; puede utilizarse para comparar una herramienta con otra y como valoración preliminar de la exposición a las vibraciones al utilizar la herramienta con las aplicaciones mencionadas
 - al utilizarla para distintas aplicaciones o con accesorios diferentes o con un mantenimiento deficiente, podría **aumentar** de forma notable el nivel de exposición
 - en las ocasiones en que se apaga la herramienta o cuando está funcionando pero no está realizando ningún trabajo, se podría **reducir** el nivel de exposición de forma importante
- ! **protéjase contra los efectos de la vibración realizando el mantenimiento de la herramienta y sus accesorios, manteniendo sus manos calientes y organizando sus patrones de trabajo**



P

Serra vertical

4285

INTRODUÇÃO

- Esta ferramenta é determinada para realizar cortes em madeira, plástico, metal, ed é apropriada para cortes retos e curvados com ângulos de chanfradura até 45°
- Esta ferramenta não se destina a utilização profissional
- Leia e guarde este manual de instruções ③

DADOS TÉCNICOS ①

ELEMENTOS DA FERRAMENTA ②

- A Interruptor para ligar/desligar
- B Botão de fixação do interruptor
- C Aberturas de ventilação
- D Alojamento da chave hexagonal

SEGURANÇA

INSTRUÇÕES GERAIS DE SEGURANÇA

⚠ ATENÇÃO! Devem ser lidas todas as indicações de advertência e todas as instruções. O desrespeito das advertências e instruções apresentadas abaixo pode causar choque eléctrico, incêndio e/ou graves lesões.

Guarde bem todas as advertências e instruções para futura referência. O termo "ferramenta eléctrica" utilizado a seguir nas indicações de advertência, refere-se a ferramentas eléctricas operadas com corrente de rede (com cabo de rede) e a ferramentas eléctricas operadas com acumulador (sem cabo de rede).

1) SEGURANÇA DA ÁREA DE TRABALHO

- a) **Mantenha a sua área de trabalho limpa e arrumada.** Desordem ou áreas de trabalho com fraca iluminação podem causar acidentes.
- b) **Não trabalhar com a ferramenta eléctrica em áreas com risco de explosão, nas quais se encontrem líquidos, gases ou pós inflamáveis.** Ferramentas eléctricas produzem faíscas que podem provocar a ignição de pó e vapores.
- c) **Mantenha crianças e outras pessoas afastadas da ferramenta eléctrica durante o trabalho com a ferramenta.** Distrações podem causar a falta de controle sobre o aparelho.

2) SEGURANÇA ELÉCTRICA

- a) **A ficha da ferramentas eléctricas devem caber na tomada. A ficha não deve ser modificada de modo algum. Não utilize quaisquer fichas de adaptação junto com ferramentas eléctricas ligadas à terra.** Fichas sem modificações e tomadas adequadas reduzem o risco de choques eléctricos.
- b) **Evite que o corpo entre em contacto com superfícies ligadas à terra, como por exemplo tubos, radiadores, fogões e geladeiras.** Há um risco elevado de choques eléctricos, caso o corpo for ligado à terra.
- c) **A ferramenta eléctrica não deve ser exposta à chuva nem humidade.** A penetração de água na ferramenta eléctrica aumenta o risco de choques eléctricos.
- d) **O cabo do aparelho não deve ser utilizado para o transporte, para pendurar o aparelho, nem para puxar a ficha da tomada. Mantenha o cabo afastado de calor, óleo, cantos afiados ou partes em movimento do aparelho.** Cabos danificados ou torcidos aumentam o risco de choques eléctricos.
- e) **Ao trabalhar com a ferramenta eléctrica ao ar livre, use um cabo de extensão apropriado para áreas externas.** O uso de um cabo apropriado para áreas externas reduz o risco de choques eléctricos.
- f) **Se não for possível evitar o funcionamento da ferramenta eléctrica em áreas húmidas, deverá ser**

utilizado uma disjuntor de corrente de avaria. A utilização de um disjuntor de corrente de avaria reduz o risco de um choque eléctrico.

3) SEGURANÇA DE PESSOAS

- a) **Esteja alerta, observe o que está a fazer, e tenha prudência ao trabalhar com a a ferramenta eléctrica. Não use a ferramenta eléctrica se estiver fatigado ou sob a influência de drogas, álcool ou medicamentos.** Um momento de falta de atenção durante a operação da ferramenta eléctrica pode causar graves lesões.
 - b) **Utilizar equipamento de protecção pessoal e sempre óculos de protecção.** A utilização de equipamento de protecção pessoal, como máscara de protecção contra pó, sapatos de segurança antiderrapantes, capacete de segurança ou protecção auricular, de acordo com o tipo e aplicação da ferramenta eléctrica, reduz o risco de lesões.
 - c) **Evitar uma colocação em funcionamento involuntária. Assegure se de que a ferramenta eléctrica esteja desligada, antes de conectá-la à alimentação de rede e/ou ao acumulador, antes de levantá-la ou de transportá-la.** Se tiver o dedo no interruptor ao transportar a ferramenta eléctrica ou se o aparelho for conectado à alimentação de rede enquanto estiver ligado, poderão ocorrer acidentes.
 - d) **Remover chaves de ajustes ou chaves de fenda, antes de ligar a ferramenta eléctrica.** Uma chave de fenda ou chave de ajuste que se encontre numa parte móvel do aparelho, pode levar a lesões.
 - e) **Não se sobrestime. Mantenha uma posição firme e mantenha sempre o equilíbrio.** Desta forma poderá ser mais fácil controlar o aparelho em situações inesperadas.
 - f) **Use roupa apropriada. Não use roupa larga ou jóias. Mantenha o cabelo, roupa e luvas afastadas de partes em movimento.** Roupas largas, jóias ou cabelos longos podem ser agaradas por partes em movimento.
 - g) **Se for prevista a montagem de dispositivos de aspiração de pó e de dispositivos de recolha, assegure-se de que estão conectados e que sejam utilizados de forma correcta.** A utilização de uma aspiração de pó pode reduzir o perigo devido ao pó.
- #### 4) USO E TRATAMENTO DE FERRAMENTAS ELÉCTRICAS
- a) **Não sobrecarregue a ferramenta eléctrica. Use para o seu trabalho a ferramenta eléctrica correcta.** A ferramenta correcta realizará o trabalho de forma melhor e mais segura dentro da faixa de potência indicada.
 - b) **Não utilize a ferramenta eléctrica se o interruptor não puder ser ligado nem desligado.** Qualquer ferramenta eléctrica que não possa ser controlada através do interruptor de ligar-desligar, é perigosa e deve ser reparada.
 - c) **Puxar a ficha da tomada e/ou remover o acumulador antes de executar ajustes na ferramenta, de substituir acessórios ou de guardar a ferramenta.** Esta medida de segurança evita que a ferramenta eléctrica seja ligada acidentalmente.
 - d) **Guarde ferramentas eléctricas que não estiverem sendo utilizadas, for a do alcance de crianças. Não permita que o aparelho seja utilizado por pessoas**

não familiarizadas com o mesmo ou que não tenham lido estas instruções. Ferramentas eléctricas são perigosas nas mãos de pessoas sem treinamento.

- e) **Trate a sua ferramenta eléctrica com cuidado. Verifique se as partes móveis do aparelho funcionam perfeitamente e não emperram, se há peças quebradas ou danificadas, que possam influenciar o funcionamento do aparelho. Peças danificadas devem ser reparadas antes da utilização do aparelho.** Muitos acidentes tem como causa uma manutenção insuficiente das ferramentas eléctricas.
- f) **Mantenha as ferramentas de corte sempre afiadas e limpas.** Ferramentas de cortes devidamente tratadas, com cantos afiados travam com menos frequência e podem ser controladas com maior facilidade.
- g) **Use a ferramenta eléctrica, os acessórios os bits da ferramenta etc., de acordo com estas instruções. Considere também as condições de trabalho e o trabalho a ser efectuado.** A utilização da ferramenta eléctrica para outros fins que os previstos, pode resultar em situações perigosas.

5) SERVIÇO

- a) **A sua ferramenta eléctrica só deve ser reparada por pessoal qualificado e só devem ser colocadas peças sobressalentes originais.** Desta forma é assegurada a segurança da ferramenta eléctrica.

INSTRUÇÕES DE SEGURANÇA PARA SERRAS VERTICALES

SEGURANÇA ELÉCTRICA

- Certifique-se sempre de que a tensão de alimentação está de acordo com a tensão indicada na placa de identificação da ferramenta
- Não utilizar ferramenta caso o fio esteja danificado; mandando-o substituir por pessoal qualificado
- Caso o fio for danificado ou cortado durante o trabalho, não toque no fio, mas tire imediatamente a ficha da tomada
- Utilize extensões completamente desenroladas e seguras, com uma capacidade de 16 Amp

SEGURANÇA DE PESSOAS

- **Não processar material que contenha asbesto** (asbesto é considerado como sendo cancerígeno)
- Esta ferramenta não deve ser utilizada por pessoas menores de 16 anos
- O nível de ruído durante o trabalho pode exceder 85 dB(A); utilize protectores auriculares
- Utilizar óculos de protecção ao trabalhar com materiais com efeito de aparas
- O pó do material, como tinta com chumbo, algumas espécies de madeira, minerais e metais, pode ser prejudicial (contacto ou inalação do pó pode provocar reacções alérgicas e/ou doenças respiratórias ao operador ou às pessoas presentes); **use máscara respiratória e trabalhe com um dispositivo de extracção de pó quando ligado a**
- Determinados tipos de pó são classificados como substâncias cancerígenas (como pó de carvalho e faia), em especial, juntamente com aditivos para acondicionamento da madeira; **use máscara**

respiratória e trabalhe com um dispositivo de extracção de pó quando ligado a

- Siga o regulamento nacional quanto a extração de pó, em função dos materiais que vão ser utilizados
- **Desligue sempre a ficha da tomada antes de proceder a qualquer ajustamento ou troca de acessório**

ANTES DA UTILIZAÇÃO

- Verifique o funcionamento da ferramenta antes de cada utilização e, em caso de avaria, leve-a a uma pessoa qualificada para reparação; nunca abra você mesmo a ferramenta
- Retire todos os obstáculos que se encontram no topo superior e na parte inferior da peça a cortar antes de iniciar o trabalho
- Evite danificar a ferramenta em superfícies com pregos ou parafusos; remova-os antes de começar a trabalhar
- **Fixe a peça de trabalho** (uma peça de trabalho fixa com dispositivos de fixação ou num torno fica melhor fixa do que manualmente)

DURANTE A UTILIZAÇÃO

- **Segurar a ferramenta eléctrica pelas superfícies de punho isoladas ao executar trabalhos durante os quais o acessório possa atingir cabos eléctricos escondidos ou o próprio cabo de rede** (o contacto com um cabo sob tensão também pode colocar sob tensão as peças metálicas da ferramenta e levar a um choque eléctrico)
- Mantenha sempre o fio afastado das peças rotativas da ferramenta; coloque o fio para trás, fora do alcance da ferramenta
- Em caso de anomalias eléctricas ou mecânicas, desligue imediatamente a ferramenta e tire a ficha da tomada
- Mantenha as mãos distantes da lâmina da serra enquanto a ferramenta estiver a trabalhar

ACESSÓRIOS

- A SKIL só pode garantir um funcionamento perfeito da ferramenta, quando utilizada com os acessórios originais
- Não utilize lâminas que se encontrem rachadas, deformadas ou cagas

UTILIZAÇÃO NO EXTERIOR

- Quando utilizar a ferramenta no exterior, ligue-a utilizando um disjuntor de corrente de falha (FI) com uma corrente de disparo de 30 mA no máximo e utilize apenas uma extensão destinada a utilização no exterior e que esteja equipada com uma tomada de união à prova de salpicos

APÓS A UTILIZAÇÃO

- Quando guardar a ferramenta, deverá certificar-se que o motor esta devidamente parado assim como todas as peças rotativas

MANUSEAMENTO

- Ligar/desligar ④
- Fixação do interruptor para utilização contínua ⑤
- Trocar lâminas ⑥
- ! **introduzir a lâmina até à profundidade máx. com os dentes voltados para a frente ⑦**
- Cortar a 15°/30°/45° ⑧
- Aspiração de pó ⑨a
- ! **não utilizar o aspirador ao cortar metais**
- Soprador de pó ⑨b

- Utilização da ferramenta
 - antes de ligar a ferramenta, certifique-se que a parte frontal da base está bem assente sobre a peça a trabalhar
 - segure a ferramenta com ambas as mãos e assim terá sempre um controlo completo da mesma
- ! durante o trabalho, segure sempre a ferramenta na(s) área(s) de fixação cinzenta(s) ⑩**
- certifique-se que a base está apoiada sobre toda a superfície
- ! certifique-se que a lâmina está completamente parada antes de retirar a ferramenta da peça a trabalhar**
- mantenha as aberturas de ventilação C ② destapadas

CONSELHOS DE APLICAÇÃO

- Utilize as lâminas apropriadas ⑪
 - ! a ferramenta aceita a maior parte das lâminas comuns de encabadouro em T ou em U ⑫**
- Ao cortar metais, lubrifique a lâmina regularmente com óleo adequado
- Para um corte direito e preciso, guie a ferramenta com a base sobre o bordo de madeira direita ⑬
- Faça primeiro um furo antes de realizar recortes ⑭
- Cortar sem aparas
 - cubra a linha de corte com várias camadas de fita adesiva larga antes de começar a cortar
 - coloque sempre a peça a trabalhar com a face virada para baixo
- Para mais sugestões consulte www.skil.com

MANUTENÇÃO / SERVIÇO

- Esta ferramenta não se destina a utilização profissional
- Mantenha a ferramenta e o fio sempre limpos (especialmente as ranhuras de respiração C ②)
 - ! desligar a ferramenta da fonte de corrente antes de limpar**
- Se a ferramenta falhar apesar de cuidadosos processos de fabricação e de teste, a reparação deverá ser executada por uma oficina de serviço autorizada para ferramentas eléctricas SKIL
 - envie a ferramenta **sem desmontar**, juntamente com a prova de compra, para o seu revendedor ou para o centro de assistência SKIL mais próximo (os endereços assim como a mapa de peças da ferramenta estão mencionados no www.skil.com)

AMBIENTE

- Não deite ferramentas eléctricas, acessórios e embalagem no lixo doméstico** (apenas para países da UE)
 - de acordo com a directiva europeia 2012/19/CE sobre ferramentas eléctricas e electrónicas usadas e a transposição para as leis nacionais, as ferramentas eléctricas usadas devem ser recolhidas em separado e encaminhadas a uma instalação de reciclagem dos materiais ecológica
 - símbolo ⑮ lhe avisará em caso de necessidade de arranjar-las

DECLARAÇÃO DE CONFORMIDADE CE

Serra vertical 4285

Dados técnicos ①

- Declaramos sob nossa exclusiva responsabilidade que o produto descrito em "Dados técnicos" cumpre as seguintes normas ou documentos normativos: EN 60745, EN 61000, EN 55014, conforme as disposições das directivas 2014/30/UE, 2006/42/CE, 2011/65/UE
- Processo técnico em:** SKIL Europe BV (PT-SEU/ENG1), 4825 BD Breda, NL

Marijn van der Hoofden
Operations & Engineering

Olaf Dijkstraaf
Approval Manager




SKIL Europe BV, 4825 BD Breda, NL

02.02.2015

RUÍDO/VIBRAÇÕES

- Medido segundo EN 60745 o nível de pressão acústica desta ferramenta é 84 dB(A) e o nível de potência acústica 95 dB(A) (espaço de erro: 3 dB), e a vibração * m/s² (soma de vectores de três direcções; incerteza K = 1,5 m/s²)
 - * ao cortar madeira 11,9 m/s²
 - * ao cortar metais 12,4 m/s²
- O nível de emissão de vibrações foi medido de acordo com um teste normalizado fornecido na EN 60745; pode ser utilizado para comparar uma ferramenta com outra e como uma avaliação preliminar de exposição à vibração quando utilizar a ferramenta para as aplicações mencionadas
 - utilizar a ferramenta para diferentes aplicações ou com acessórios diferentes ou mantidos deficientemente, pode **umentar** significativamente o nível de exposição
 - o número de vezes que a ferramenta é desligada ou quando estiver a trabalhar sem fazer nada, pode **reduzir** significativamente o nível de exposição
- ! proteja-se contra os efeitos da vibração, mantendo a ferramenta e os acessórios, mantendo as mãos quentes e organizando os padrões de trabalho**

I

Seghetto alternativo

4285

INTRODUZIONE

- Quest' utensile è idoneo per l'esecuzione di tagli di troncatura e dal pieno nel legno, in materie plastiche, nel metallo, e di tagli diritti e tagli con angolazioni fino a 45°
- Questo utensile non è inteso per un uso professionale
- Leggete e conservate questo manuale di istruzione ③

DATI TECNICI ①

ELEMENTI UTENSILE ②

- A Interruttore di accensione/spengimento
- B Pulsante di blocco dell'interruttore
- C Feritoie di ventilazione
- D Alloggiamento per la chiave esagonale

SICUREZZA

ISTRUZIONI GENERALI DI SICUREZZA

⚠ ATTENZIONE! Leggere tutte le avvertenze di pericolo e le istruzioni operative. In caso di mancato rispetto delle avvertenze di pericolo e delle istruzioni operative si potrà creare il pericolo di scosse elettriche, incendi e/o incidenti gravi. **Conservare tutte le avvertenze di pericolo e le istruzioni operative per ogni esigenza futura.** Il termine "elettroutensile" utilizzato nelle avvertenze di pericolo si riferisce ad utensili elettrici alimentati dalla rete (con linea di allacciamento) ed ad utensili elettrici alimentati a batteria (senza linea di allacciamento).

1) SICUREZZA DELLA POSTAZIONE DI LAVORO

- a) **Mantenere pulito ed ordinato il posto di lavoro.** Il disordine o le zone di lavoro non illuminate possono essere fonte di incidenti.
- b) **Evitare d'impiegare l'utensile in ambienti soggetti al rischio di esplosioni nei quali si trovino liquidi, gas o polveri infiammabili.** Gli utensili elettrici producono scintille che possono far infiammare la polvere o i gas.
- c) **Mantenere lontani i bambini ed altre persone durante l'impiego dell'utensile elettrico.** Eventuali distrazioni potranno comportare la perdita del controllo sull'utensile.

2) SICUREZZA ELETTRICA

- a) **La spina per la presa di corrente dovrà essere adatta alla presa. Evitare assolutamente di apportare modifiche alla spina. Non impiegare spine adattatrici assieme ad utensili con collegamento a terra.** Le spine non modificate e le prese adatte allo scopo riducono il rischio di scosse elettriche.
- b) **Evitare il contatto fisico con superfici collegate a terra, come tubi, riscaldamenti, cucine elettriche e frigoriferi.** Sussiste un maggior rischio di scosse elettriche nel momento in cui il corpo è messo a massa.
- c) **Custodire l'utensile al riparo dalla pioggia o dall'umidità.** L'eventuale infiltrazione di acqua in un utensile elettrico va ad aumentare il rischio d'insorgenza di scosse elettriche.
- d) **Non usare il cavo per scopi diversi da quelli previsti al fine di trasportare o appendere l'utensile, oppure di togliere la spina dalla presa di corrente. Mantenere l'utensile al riparo da fonti di calore, dall'olio, dagli spigoli o da pezzi in movimento.** I cavi danneggiati o aggrovigliati aumentano il rischio d'insorgenza di scosse elettriche.
- e) **Qualora si voglia usare l'utensile all'aperto, impiegare solo ed esclusivamente cavi di prolunga omologati per l'impiego all'esterno.** L'uso di un cavo di prolunga omologato per l'impiego all'esterno riduce il rischio d'insorgenza di scosse elettriche.

- f) **Qualora non fosse possibile evitare di utilizzare l'utensile in ambiente umido, utilizzare un interruttore di messa a terra.** L'uso di un interruttore di messa a terra riduce il rischio di una scossa elettrica.

3) SICUREZZA DELLE PERSONE

- a) **È importante concentrarsi su ciò che si sta facendo e a maneggiare con giudizio l'utensile durante le operazioni di lavoro. Non utilizzare l'utensile in caso di stanchezza o sotto l'effetto di droghe, bevande alcoliche e medicinali.** Un attimo di distrazione durante l'uso dell'utensile potrà causare lesioni gravi.
 - b) **Indossare sempre equipaggiamento protettivo individuale. Usare sempre protezioni per gli occhi.** Se si avrà cura d'indossare equipaggiamento protettivo individuale come la maschera antipolvere, la calzatura antidistrucchiolevole di sicurezza, il casco protettivo o la protezione dell'udito, a seconda dell'impiego previsto per l'utensile elettrico, si potrà ridurre il rischio di ferite.
 - c) **Evitare l'accensione involontaria dell'utensile. Prima di collegarlo alla rete di alimentazione elettrica e/o alla batteria ricaricabile, prima di prenderlo oppure prima di iniziare a trasportarlo, assicurarsi che l'utensile sia spento.** Tenendo il dito sopra l'interruttore mentre si trasporta l'utensile oppure collegandolo all'alimentazione di corrente con l'interruttore inserito, si vengono a creare situazioni pericolose in cui possono verificarsi seri incidenti.
 - d) **Togliere gli attrezzi di regolazione o la chiave inglese prima di accendere l'utensile.** Un utensile o una chiave inglese che si trovino in una parte dell'utensile in rotazione potranno causare lesioni.
 - e) **È importante non sopravvalutarsi. Avere cura di mettersi in posizione sicura e di mantenere l'equilibrio.** In tale maniera sarà possibile controllare meglio l'utensile in situazioni inaspettate.
 - f) **Indossare vestiti adeguati. Evitare di indossare vestiti lenti o gioielli. Tenere i capelli, i vestiti ed i guanti lontani da pezzi in movimento.** Vestiti lenti, gioielli o capelli lunghi potranno impigliarsi in pezzi in movimento.
 - g) **Se sussiste la possibilità di montare dispositivi di aspirazione o di captazione della polvere, assicurarsi che gli stessi siano stati installati correttamente e vengano utilizzati senza errori.** L'utilizzo di un'aspirazione polvere può ridurre lo svilupparsi di situazioni pericolose dovute alla polvere.
- #### 4) MANEGGIO ED IMPIEGO ACCURATO DI UTENSILI ELETTRICI
- a) **Non sovraccaricare l'utensile. Impiegare l'utensile elettrico adatto per sbrigare il lavoro.** Utilizzando l'utensile elettrico adatto si potrà lavorare meglio e con maggior sicurezza nell'ambito della gamma di potenza indicata.
 - b) **Non utilizzare utensili elettrici con interruttori difettosi.** Un utensile elettrico che non si può più accendere o spegnere è pericoloso e dovrà essere riparato.
 - c) **Prima di procedere ad operazioni di regolazione sull'utensile, prima di sostituire parti accessorie oppure prima di posare l'utensile al termine di un lavoro, estrarre sempre la spina dalla presa della corrente e/o estrarre la batteria ricaricabile.** Tale

precauzione eviterà che l'utensile possa essere messo in funzione inavvertitamente.

- d) **Custodire gli utensili elettrici non utilizzati al di fuori della portata dei bambini. Non fare usare l'utensile a persone che non sono abituate ad usarlo o che non abbiano letto le presenti istruzioni.** Gli utensili elettrici sono pericolosi se utilizzati da persone inesperte.
- e) **Effettuare accuratamente la manutenzione dell'utensile. Verificare che le parti mobili dell'utensile funzionino perfettamente e non s'incepino, che non ci siano pezzi rotti o danneggiati al punto tale da limitare la funzione dell'utensile stesso. Far riparare le parti danneggiate prima d'impiegare l'utensile.** Numerosi incidenti vengono causati da utensili elettrici la cui manutenzione è stata effettuata poco accuratamente.
- f) **Mantenere affilati e puliti gli utensili da taglio.** Gli utensili da taglio curati con particolare attenzione e con taglienti affilati s'incepiscono meno frequentemente e sono più facili da condurre.
- g) **Utilizzare utensili elettrici, accessori, attrezzi, ecc. in conformità con le presenti istruzioni. Osservare le condizioni di lavoro ed il lavoro da eseguirsi durante l'impiego.** L'impiego di utensili elettrici per usi diversi da quelli consentiti potrà dar luogo a situazioni di pericolo.

5) ASSISTENZA

- a) **Fare riparare l'utensile solo ed esclusivamente da personale specializzato e solo impiegando pezzi di ricambio originali.** In tale maniera potrà essere salvaguardata la sicurezza dell'utensile.

ISTRUZIONI DI SICUREZZA PER SEGHETTI ALTERNATIVI

SICUREZZA ELETTRICA

- Controllare che la tensione dell'alimentazione sia la stessa di quella indicata sulla targhetta dell'utensile
- Non usare l'utensile quando il cavo è danneggiato; farlo sostituire da personale qualificato
- Se durante un'operazione di lavoro viene danneggiato oppure troncato il cavo, non toccare il cavo ma estrarre immediatamente la spina dalla presa
- Usare cavi di prolunga completamente srotolati e sicure con una capacità di 16 Amp

SICUREZZA DELLE PERSONE

- **Non lavorare mai materiali contenenti amianto** (l'amianto è ritenuto materiale cancerogeno)
- Questo utensile non dev'essere utilizzato da persone di età inferiore ai 16 anni
- Durante le operazioni di lavoro il livello di rumorosità può superare 85 dB(A); utilizzare le cuffie di protezione
- Nella lavorazione di materiali a produzione di trucioli, indossare occhiali protettivi
- Le polveri di materiali come vernici contenenti piombo, alcune specie di legno, minerali e metallo possono essere nocive (il contatto con queste polveri o la loro inalazione possono causare reazioni allergiche e/o disturbi respiratori all'operatore o ad altre persone presenti sul posto); **indossare una maschera protettiva per la polvere e utilizzare un dispositivo per l'estrazione della polvere se è presente una presa di collegamento**

- Alcuni tipi di polvere sono classificati come cancerogeni (quali le polveri di quercia e faggio) specialmente se associate ad additivi per il trattamento del legno; **indossare una maschera protettiva per la polvere e utilizzare un dispositivo per l'estrazione della polvere se è presente una presa di collegamento**
- Rispettare le istruzioni nazionali riguardanti l'estrazione della polvere per i materiali in lavorazione
- **Staccate sempre la spina dell'utensile prima di effettuare regolazioni o cambiare gli accessori**

PRIMA DELL'USO

- Controllare il funzionamento dell'utensile prima di ogni volta che si deve usare, in caso di un difetto, farlo riparare immediatamente da una persona qualificata; non aprire mai l'utensile da se stessi
- Rimuovete tutti gli ostacoli sopra e sotto la linea di taglio prima di iniziare il lavoro
- Evitate possibili danneggiamenti da viti e chiodi sporgenti; rimuoverli prima di iniziare la lavorazione
- **Fissare il pezzo da lavorare** (un pezzo in lavorazione rimane bloccato in posizione con maggiore sicurezza se fissato con appositi dispositivi di serraggio o con una morsa e non tenendolo con la mano)

DURANTE L'USO

- **Tenere l'elettrotensile per le superfici isolate dell'impugnatura qualora venissero effettuati lavori durante i quali l'accessorio potrebbe venire a contatto con cavi elettrici nascosti oppure con il proprio cavo di rete** (il contatto con un cavo sotto tensione può mettere sotto tensione anche parti metalliche dell'elettrotensile, causando una scossa elettrica)
- Mantenere sempre il cavo distante dalle parti in movimento dell'utensile; spingere il cavo verso la parte posteriore, distante dall'utensile
- Nel caso di cattivo funzionamento elettrico o meccanico, spegnete subito l'utensile e staccate la spina
- Tenete lontane le mani dalla lama quando l'utensile è in moto

ACCESSORI

- La SKIL garantisce un perfetto funzionamento dell'utensile soltanto se vengono utilizzati accessori originali
- Non usate la lama in caso sia crepata, deformata o non tagliente

USO ALL'ESTERNO

- Quando usato l'esterno, collegare l'utensile ad un interruttore automatico di rete (FI) con una corrente di scatto di 30 mA massimo, ed usare solamente il cavo di prolunga inteso per uso esterno e munito di una presa antispruzzo

DOPO L'USO

- Quando riponete l'utensile accertatevi che non ci siano parti in movimento e che il motore sia spento

USO

- Acceso/spento ④
- Blocco dell'interruttore per il funzionamento continuo ⑤
- Cambio della lama ⑥
- ! **inserire la lama sino in fondo con i denti posizionati in avanti** ⑦
- Taglio a 15°/30°/45° ⑧

- Aspirazione della polvere ⑨a
! non usare l'aspirapolvere quando si tagliano metalli
- Soffiatore della polvere ⑨b
- Uso dell'utensile
 - prima di azionare l'utensile, assicurarsi che l'estremità frontale del piede sia in posizione piana sul pezzo da lavorare
 - tenere l'utensile con entrambe le mani, in modo da avere in qualsiasi momento il controllo dell'utensile
- ! durante la lavorazione, impugna l'utensile sempre in corrispondenza della(e) area(e) grigia(e) ⑩**
- il piede deve poggiare completamente su tutta la superficie
- ! prima di rimuovere l'utensile del pezzo da lavorare assicuratevi che la lama sia ferma**
- tenere scoperte le feritoie di ventilazione C ②

CONSIGLIO PRATICO

- Usare le lame appropriate ⑪
! l'utensile permette l'utilizzo delle lame più disponibili con gambo a T e con gambo ad U ⑫
- Quando si tagliano metalli, lubrificare la lama regolarmente con olio
- Per un accurato taglio diritto, guidare l'utensile con il suo lato piano lungo il bordo di un pezzo di legno rettilineo ⑬
- Preparare un foro prima di eseguire di tagli dal pieno ⑭
- Taglio senza schegge
 - coprire la linea di taglio con più strati di nastro largo prima di taglio
 - posizionare sempre la parte più rifinita del pezzo in lavorazione verso il basso
- Per altri consigli consultare il sito www.skil.com

MANUTENZIONE / ASSISTENZA

- Questo utensile non è inteso per un uso professionale
- Tenete sempre puliti utensile e cavo (soprattutto le feritoie di ventilazione C ②)
! prima di pulire estrarre la spina dalla presa
- Se nonostante gli accurati procedimenti di produzione e di controllo l'utensile dovesse guastarsi, la riparazione va fatta effettuare da un punto di assistenza autorizzato per gli elettroutensili SKIL
 - inviare l'utensile **non smontato** assieme alle prove di acquisto al rivenditore oppure al più vicino centro assistenza SKIL (l'indirizzo ed il disegno delle parti di ricambio dell'utensile sono riportati su www.skil.com)

TUTELA DELL'AMBIENTE

- **Non gettare l'utensile elettrico, gli accessori e l'imballaggio tra i rifiuti domestici (solo per paesi UE)**
 - secondo la Direttiva Europea 2012/19/CE sui rifiuti di utensili elettrici ed elettronici e la sua attuazione in conformità alle norme nazionali, gli utensili elettrici esausti devono essere raccolti separatamente, al fine di essere reimpiegati in modo eco-compatibile
 - il simbolo ⑮ vi ricorderà questo fatto quando dovrete eliminarlo

DICHIARAZIONE DEI CONFORMITÀ CE

Seghetto alternativo 4285

Dati tecnici ①

- Assumendone la piena responsabilità, dichiariamo che il prodotto descritto nei "Dati tecnici" è conforme alle seguenti normative ed ai relativi documenti: EN 60745, EN 61000, EN 55014 in base alle prescrizioni delle direttive 2014/30/UE, 2006/42/EG, 2011/65/UE
- **Fascicolo tecnico presso:** SKIL Europe BV (PT-SEU/ENG1), 4825 BD Breda, NL

Marijn van der Hoofden
Operations & Engineering

Olaf Dijkgraaf
Approval Manager

SKIL Europe BV, 4825 BD Breda, NL

02.02.2015

RUMOROSITÀ/VIBRAZIONE

- Misurato in conformità al EN 60745 il livello di pressione acustica di questo utensile è 84 dB(A) ed il livello di pressione acustica 95 dB(A) (deviazione standard: 3 dB), e la vibrazione * m/s² (somma dei vettori in tre direzioni; incertezza K = 1,5 m/s²)
 - * quando si tagliano legno 11,9 m/s²
 - * quando si tagliano metalli 12,4 m/s²
- Il livello di emissione delle vibrazioni è stato misurato in conformità a un test standardizzato stabilito dalla norma EN 60745; questo valore può essere utilizzato per mettere a confronto un l'utensile con un altro o come valutazione preliminare di esposizione alla vibrazione quando si impiega l'utensile per le applicazioni menzionate
 - se si utilizza l'utensile per applicazioni diverse, oppure con accessori differenti o in scarse condizioni, il livello di esposizione potrebbe **augmentare** notevolmente
 - i momenti in cui l'utensile è spento oppure è in funzione ma non viene effettivamente utilizzato per il lavoro, possono contribuire a **ridurre** il livello di esposizione
- ! proteggersi dagli effetti della vibrazione effettuando la manutenzione dell'utensile e dei relativi accessori, mantenendo le mani calde e organizzando i metodi di lavoro**

H

Szűrőfűrés

4285

BEVEZETÉS

- E szerszám fa, műanyag, fém át- és kivágására készült, továbbá alkalmas egyenes és 45°-os szögű vágásokra is
- Ez a szerszám nem professzionális használatra készült
- Olvassa el figyelmesen és őrizze meg a használati utasítást ③

MŰSZAKI ADATOK ①

SZERSZÁMGÉP ELEMEI ②

- A Be/Ki kapcsoló
- B Kapcsolórögőzítógomb
- C Szellőzőnyílások
- D Imbuszkulcs tartója

BIZTONSÁG

ÁLTALÁNOS BIZTONSÁGI ELŐÍRÁSOK

FIGYELEM! Olvassa el az összes biztonsági figyelmeztetést és előírást. A következőkben leírt előírások betartásának elmulasztása áramütésekhez, tűzhöz és/vagy súlyos testi sérülésekhez vezethet. **Kérjük a későbbi használatra gondosan őrizz meg ezeket az előírásokat.** Az alább alkalmazott elektromos kéziszerszám fogalom a hálózati elektromos kéziszerszámokat (hálózati csatlakozó kábellel) és az akkumulátoros elektromos kéziszerszámokat (hálózati csatlakozó kábel nélkül) foglalja magában.

1) MUNKAHELYI BIZTONSÁG

- a) **Tartsa tisztán és tartsa rendben a munkahelyét.**
Rendetlen munkahelyek vagy megvilágítatlan munkaterületek balesetekhez vezethetnek.
- b) **Ne dolgozzon az elektromos kéziszerszámmal olyan robbanásveszélyes környezetben, ahol éghető folyadékok, gázok vagy porok vannak.** Az elektromos kéziszerszámok szikrákat bocsáthatnak ki, amelyek meggyújthatják a port vagy a gőzöket.
- c) **Tartsa távol a gyerekeket és az idegen személyeket a munkahelytől, ha az elektromos kéziszerszámot használja.** Ha elvonják a figyelmét a munkától, könnyen elvesztheti az uralmát a berendezés felett.

2) ELEKTROMOS BIZTONSÁGI ELŐÍRÁSOK

- a) **A készülék csatlakozó dugójának bele kell illeszkednie a dugaszolóaljzatba. A csatlakozó dugót semmilyen módon sem szabad megváltoztatni. Védőföldeléssel ellátott készülékekkel kapcsolatban ne használjon csatlakozó adaptert.** A változtatás nélküli csatlakozó dugók és a megfelelő dugaszoló aljzatok csökkentik az áramütés kockázatát.
- b) **Ne érjen hozzá földelt felületekhez, mint csövekhez, fűtőtestekhez, kályhákhoz és hűtőszekrényekhez.** Az áramütési veszély megnövekszik, ha a teste le van földelve.
- c) **Tartsa távol az elektromos kéziszerszámot az esőtől és a nedvesség hatásaitól.** Ha víz hatol be egy elektromos kéziszerszámba, ez megnöveli az áramütés veszélyét.
- d) **Ne használja a kábelt a rendeltetésétől eltérő célokra, vagyis a szerszámot soha ne hordozza vagy akassza fel a kábelnél fogva, és soha ne húzza ki a hálózati csatlakozó dugót a kábelnél fogva. Tartsa távol a kábelt hőforrásoktól, olajtól, éles élektől, sarkaktól és mozgó gépalkatrészekről.** Egy megrongálódott vagy csomókkal teli kábel megnöveli az áramütés veszélyét.
- e) **Ha egy elektromos kéziszerszámmal a szabad ég alatt dolgozik, csak a szabadban való használatra engedélyezett hosszabbítót használjon. A szabadban**

való használatra engedélyezett hosszabbító használatra csökkenti az áramütés veszélyét.

- f) **Ha nem lehet elkerülni az elektromos kéziszerszám nedves környezetben való használatát, alkalmazzon egy földzárlat megszakítót.** Egy földzárlat megszakító alkalmazása csökkenti az áramütés kockázatát.
- #### 3) SZEMÉLYI BIZTONSÁGI ELŐÍRÁSOK
- a) **Munka közben mindig figyeljen, ügyeljen arra, amit csinál, és meggondoltan dolgozzon az elektromos kéziszerszámmal. Ha fáradt, ha kábítószerek vagy alkohol hatása alatt áll, vagy orvosságokat vett be, ne használja a berendezést.** A berendezéssel végzett munka közben már egy pillanatrai figyelmetlenség is komoly sérülésekhez vezethet.
 - b) **Viseljen személyi védőfelszerelést és mindig viseljen védőszemüveget.** A személyi védőfelszerelések, mint porvédő álarc, csúszásbiztos védőcipő, védősapka és fülvédő használatra az elektromos kéziszerszám használata jellegének megfelelően csökkenti a személyes sérülések kockázatát.
 - c) **Kerülje el a készülék akaratlan üzembe helyezését. Győződjön meg arról, hogy az elektromos kéziszerszám ki van kapcsolva, mielőtt bedugná a csatlakozó dugót a dugaszolóaljzatba, csatlakoztatná az akkumulátor-csomagot, és mielőtt felvenné és vinni kezdené az elektromos kéziszerszámot.** Ha az elektromos kéziszerszám felemelése közben az ujját a kapcsolón tartja, vagy ha a készüléket bekapcsolt állapotban csatlakoztatja az áramforráshoz, ez balesetekhez vezethet.
 - d) **Az elektromos kéziszerszám bekapcsolása előtt okvetlenül távolítsa el a beállító szerszámokat vagy csavarkulcsokat.** Az elektromos kéziszerszám forgó részeiben felejtett beállító szerszám vagy csavarkulcs sérüléseket okozhat.
 - e) **Ne becsülje túl önmagát. Kerülje el a normálistól eltérő testtartást, ügyeljen arra, hogy mindig biztosan álljon és az egyensúlyát megtartsa.** Így az elektromos kéziszerszám felett váratlan helyzetekben is jobban tud uralkodni.
 - f) **Viseljen megfelelő ruhát. Ne viseljen bő ruhát vagy ékszereket. Tartsa távol a haját, a ruháját és a kesztyűjét a mozgó részekről.** A bő ruhát, az ékszereket és a hosszú hajat a mozgó alkatrészek magukkal ránthatják.
 - g) **Ha az elektromos kéziszerszámra fel lehet szerelni a por elszívásához és összegyűjtéséhez szükséges berendezéseket, ellenőrizze, hogy azok megfelelő módon hozzá vannak kapcsolva a készülékhez és rendeltetésüknek megfelelően működnek.** A porgyűjtő berendezések használata csökkenti a munka során keletkező por veszélyes hatását.
- #### 4) AZ ELEKTROMOS KÉZISZERSZÁMOK GONDOS KEZELÉSE ÉS HASZNÁLATA
- a) **Ne terhelje túl az elektromos kéziszerszámot. A munkájához csak az arra szolgáló elektromos kéziszerszámot használja.** Egy alkalmas elektromos kéziszerszámmal a megadott teljesítménytartományon belül jobban és biztonságosabban lehet dolgozni.
 - b) **Ne használjon olyan elektromos kéziszerszámot, amelynek a kapcsolója elromlott. Egy olyan**

elektromos kéziszerszám, amelyet nem lehet sem be-, sem kikapcsolni, veszélyes és meg kell javíttatni.

- c) **Húzza ki a csatlakozó dugót a dugaszolóaljzattól és/vagy az akkumulátor-csomagot az elektromos kéziszerszámból, mielőtt az elektromos kéziszerszámon beállítási munkákat végez, tartozékokat cserél vagy a szerszámot tárolásra elteszi.** Ez az elővigyázatossági intézkedés meggátolja a szerszám akaratlan üzembe helyezését.
- d) **A használaton kívüli elektromos kéziszerszámokat olyan helyen tárolja, ahol azokhoz gyerekek ne férhess nek hozzá. Ne hagyja, hogy olyan személyek használják az elektromos kéziszerszámot, akik nem ismerik a szerszámot, vagy nem olvasták el ezt az útmutatót.** Az elektromos kéziszerszámok veszélyesek, ha azokat gyakorlatlan személyek használják.
- e) **A készüléket gondosan ápolja. Ellenőrizze, hogy a mozgó alkatrészek kifogástalanul működnek-e, nincsenek-e beszorulva, és nincsenek-e eltörve vagy megrongálódva olyan alkatrészek, amelyek hatással lehetnek az elektromos kéziszerszám működésére. A megrongálódott részeket a készülék használatára előtt javíttassa meg.** Sok olyan baleset történik, amelyet az elektromos kéziszerszám nem kielégítő karbantartására lehet visszavezetni.
- f) **Tartsa tisztán és éles állapotban a vágószerszámokat.** Az éles vágóélekkel rendelkező és gondosan ápolott vágószerszámok ritkábban ékelődnek be és azokat könnyebben lehet vezetni és irányítani.
- g) **Az elektromos kéziszerszámokat, tartozékokat, betétszerszámokat stb. csak ezen előírásoknak használja. Vegye figyelembe a munkafeltételeket és a kivitelezendő munka sajátosságait.** Az elektromos kéziszerszám eredeti rendeltetésétől eltérő célokra való alkalmazása veszélyes helyzetekhez vezethet.

5) SZERVIZ

- a) **Az elektromos kéziszerszámot csak szakképzett személyzet és csak eredeti pótalkatrészek felhasználásával javíthatja.** Ez biztosítja, hogy az elektromos kéziszerszám biztonságos szerszám maradjon.

BIZTONSÁGI ELŐÍRÁSOK SZÚRÓFŰRÉSZEKHEZ

ELEKTROMOS BIZTONSÁGI ELŐÍRÁSOK

- Mindig ellenőrizze, hogy a hálózati feszültség megegyezik-e a szerszám adattábláján feltüntetett értékkel
- Soha ne használja a szerszámot ha a kábel sérült; cseréltesse ki szakértő által
- Ha a kábel munka közben megsérül vagy el van vágva, ne érjen a kábelhoz, hanem azonnal húzza ki a konektorból
- Használjon teljesen letekert és biztonságos hosszabbítókábel, 16 A-es teljesítménnyel

SZEMÉLYI BIZTONSÁGI ELŐÍRÁSOK

- **Ne munkáljon meg a berendezéssel azbesztes tartalmazó anyagokat** (az azbesztesnek rákkeltő hatása van)
- A készüléket csak 16 éven felüli személyek használják
- Munka közben a zaj meghaladhatja a 85 dB(A); használjon fülvédőt

- Használjon védőszemüveget ha olyan anyaggal dolgozik amelyik sok forgácsot vagy szilánkot produkál
- Az anyagból származó por (mint például az ólmot, néhány fafajtát, ásványi anyagokat és fémek tartalmazó festékek) káros lehet (a por érintése vagy belégzése allergiás reakciókat és/vagy légzőszervi betegségeket okozhat a kezelő, illetve a közelben állók esetében); **viseljen pormaszkot és amennyiben csatlakoztatható, dolgozzon porszívó berendezéssel**
- Bizonyos porfajták rákkeltő besorolással rendelkeznek (ilyen például a tölgy- és a bükkfa pora), különösen a fa kondicionálására szolgáló adalékokkal együtt; **viseljen pormaszkot és amennyiben csatlakoztatható, dolgozzon porszívó berendezéssel**
- Kövesse a por kezelésével kapcsolatos helyi előírásokat azon termékkel kapcsolatban, amellyel dolgozni kíván
- **Mindig húzza ki a dugaszolóaljzattól mielőtt tartozékokat cserélné vagy bármit változtatna a gép beállításán**

HASZNÁLAT ELŐTT

- Minden használat előtt ellenőrizze, hogy helyesen működik-e a szerszám, és amennyiben meghibásodást észlel, azonnal forduljon szakképzett szerelőhöz, ön soha ne nyissa ki
- Mielőtt elkezdené a vágást, távolítson el minden akadályt a vágási vonal elől
- Ügyeljen arra, hogy a munkadarabban lévő csavar, szög vagy hasonló sérüléseket ne okozhasson; a munka megkezdése előtt eltávolítandó
- **Rögzítse a munkadarabot** (befogókészülékkel vagy szatuvál befogott munkadarabot sokkal biztonságosabban lehet rögzíteni mint a kézzel tartottat)

HASZNÁLAT KÖZBEN

- **Az elektromos kéziszerszámot csak a szigetelt fogantyúfelületeknél fogva tartsa, ha olyan munkát végez, amelynek során a betétszerszám feszültség alatt áll, kívülről nem látható vezetékhez, vagy a készülék saját hálózati csatlakozó kábeljéhez érhet** (ha a berendezés egy feszültség alatt álló vezetékhez ér, az elektromos kéziszerszám fémrészei szintén feszültség alá kerülhetnek és áramütéshez vezethetnek)
- A gép mozgó részétől mindig tartsa távol az elektromos kábelt; terelje a tápkábelt a gép hátulja felé, a géptől elfelé
- Normálistól eltérő működés valamint szokatlan, idegen hangok esetén a készüléket azonnal kapcsolja ki és a kábelt húzza ki a fali dugaszoló aljzattól
- Amennyiben be van kapcsolva a gép, kezét tartsa távol a körfűrészlaptól

TARTOZÉKOK

- SKIL cég kizárólag eredeti alkatrészek és kiegészítők alkalmazása esetén tudja garantálni a gép problémamentes működését
 - Ne használjon repedt, deformált vagy tompa fűrészlapot
- ### KÜLTÉRI HASZNÁLAT
- Amennyiben szabadban használja a szerszámot (FI), 30 mA indítóáramú hibaáram megszakítón keresztül csatlakozzon a hálózathoz, és csak olyan hosszabbító vezeték használjon, mely szabadtéri használatra készült, és freccsenő víz ellen védett csatlakozóaljzata va

HASZNÁLATOT KÖVETŐEN

- A gépet soha ne hagyja bekapcsolt állapotban, ha már nem dolgozik vele

KEZELÉS

- Be/Ki (4)
- Kapcsolórögzőt folyamatos használat esetére (5)
- A fűrészlapok cseréje (6)
! a fűrészlapot fogaival előremutató irányba, a tartó teljes mélységéig toljuk be (7)
- Fűrészelés 15°/30°/45°ban (8)
- Por elszívás (9)a
! ne használja a porszívót fém vágása közben
- Porelfúvás (9)b
- A gép üzemeltetése
 - mielőtt bekapcsolja a szerszámot, ellenőrizze, hogy a talapat első vége laposan helyezkedik el a megmunkálandó anyagon
 - fogja mindkét kézben keményen a szerszámot, hogy ilyenképpen mindig teljesen ura legyen az eszköznek
 - ! munka közben mindvégig tartsa gépet a szürke színű markolati terület(ek)en (10)**
 - ellenőrizze, hogy a talapat teljes felülete szilárdan helyezkedik el a megmunkálandó anyagon
 - ! ellenőrizze, hogy a fűrészlap teljesen leállt mielőtt a gépet a munkadarabtól eltávolítja**
 - a szellőzőnyílásokat C (2) mindig tartsa szabadon

HASZNÁLAT

- Fontos, hogy mindig megfelelő fűrészlapot használjon (11)
! a legáltalánosabban rendelkezésre álló T és U befogóvégű fűrészlapok egyaránt beilleszthetők a gépet (12)
- Fémek vágása esetén rendszeresen olajozza a fűrészlapot
- Precíz egyenes vágás érdekében vezesse a gépet egyenes fadarab szélé mentén (13)
- Teljes kivágás előtt készítsen előfuratot (14)
- Szilánkmentes vágás
 - a vágást megelőzően ragassza le több rétegben a vágási vonalat széles szigetelőszalaggal
 - a munkadarab színét mindig lefelé fordítsa
- A www.skil.com címen még több ötletet és javaslatot talál

KARBANTARTÁS / SZERVIZ

- A szerszám nem professzionális használatra készült
- Mindig tartsa tisztán a gépet és a vezetőket (különös tekintettel a szellőzőnyílásokra C (2))
! tisztítás előtt húzza ki a csatlakozódugót
- Ha a gép a gondos gyártási és ellenőrzési eljárás ellenére egyszer mégis meghibásodna, akkor a javítással csak SKIL elektromos kéziszerszám-műhely ügyfélszolgálatát szabad megbízni
 - küldje az **összeszerelt** gépet a vásárlást bizonyító számlával együtt a kereskedő vagy a legközelebbi SKIL szervizállomás címére (a címlista és a gép szervizdiagramja a www.skil.com címen található)

KÖRNYEZET

- **Az elektromos kéziszerszámokat, tartozékokat és csomagolást ne dobja a háztartási szemétkébe** (csak EU-országok számára)
 - a használt villamos és elektronikai készülékekről szóló 2012/19/EK irányelv és annak a nemzeti jogba való átültetése szerint az elhasznált elektromos kéziszerszámokat külön kell gyűjteni, és környezetbarát módon újra kell hasznosítani
 - erre emlékeztet a (16) jelzés, amennyiben felmerül az intézkedésre való igény

MEGFELELŐSÉGI NYILATKOZAT C E

Szűrőfűrész 4285

Műszaki adatok (1)

- Egyedüli felelőséggel kijelentjük, hogy a "Műszaki adatok" alatt leírt termék megfelel a következő szabványoknak, illetve irányadó dokumentumoknak: EN 60745, EN 61000, EN 55014 a 2014/30/EU, 2006/42/EK, 2011/65/EU irányelveknek megfelelően
- **A műszaki dokumentáció a következő helyen található:** SKIL Europe BV (PT-SEU/ENG1), 4825 BD Breda, NL

Marijn van der Hoofden
Operations & Engineering

Olaf Dijkgraaf
Approval Manager

SKIL Europe BV, 4825 BD Breda, NL

02.02.2015

ZAJ/REZGÉS

- Az EN 60745 alapján végzett mérések szerint ezen készülék hangnyomás szintje 84 dB(A) a hangteljesítmény szintje 95 dB(A) (normál eltérés: 3 dB), a rezgésszám * m/s² (a három irány vektorösszege; szórás K = 1,5 m/s²)
* fa vágásához 11,9 m/s²
* fém vágásához 12,4 m/s²
- A rezgés-kibocsátási szint mérése az EN 60745 szabványban meghatározott szabványosított teszttel összhangban történt; ez egy eszköznek egy másik eszközzel történő összehasonlítására, illetve a rezgésnek való kitettség előzetes felmérésére használható fel az eszköznek az említett alkalmazásokra történő felhasználása során
 - az eszköznek eltérő alkalmazásokra, vagy eltérő, illetve rosszul karbantartott tartozékokkal történő felhasználása jelentősen **emelheti** a kitettség szintjét
 - az idő, amikor az eszköz ki van kapcsolva, vagy amikor ugyan működik, de ténylegesen nem végez munkát, jelentősen **csökkentheti** a kitettség szintjét
- ! az eszköz és tartozékai karbantartásával, kezelemel meg tartásával, és munkavégzésének megszervezésével védje meg magát a rezgések hatásaitól**

Kmitací pila

4285

ÚVOD

- Tato pila je určená k vyřezávání otvorů a různých tvarů ze dřeva, plastu, kovů, a lze ji použít pro rovné a zakřivené řezy s kosým úhlem do 45°
- Tento nástroj není určen k profesionálnímu použití
- Tento návod s pokyny si pečlivě přečtete a uschovejte ③

TECHNICKÁ DATA ①

SOUČÁSTI NÁSTROJE ②

- A Vypínač
- B Tlačítko k zajištění vypínače
- C Větrací štěrbin
- D Uložení imbusového klíče

BEZPEČNOST

VŠEOBECNÉ BEZPEČNOSTNÍ PŘEDPISY

⚠ POZOR! Čtete všechna varovná upozornění a pokyny. Zanedbání při dodržování varovných upozornění a pokynů mohou mít za následek úder elektrickým proudem, požár a/nebo těžká poranění. **Všchna varovná upozornění a pokyny do budoucna uschovejte.** Ve varovných upozorněních použitý pojem "elektronářadí" se vztahuje na elektronářadí provozované na el. síti (se síťovým kabelem) a na elektronářadí provozované na akumulátoru (bez síťového kabelu).

1) BEZPEČNOST PRACOVNÍHO MÍSTA

- a) **Udržujte Vaše pracovní místo čisté a uklizené.** Nepořádek nebo neosvětlené pracovní oblasti mohou vést k úrazům.
- b) **Se strojem nepracujte v prostředích ohrožených explozí, kde se nacházejí hořlavé kapaliny, plyny nebo prach.** Elektronářadí vytváří jiskry, které mohou prach nebo páry zapálit.
- c) **Děti a jiné osoby udržujte při použití elektronářadí daleko od Vašeho pracovního místa.** Při rozptýlení můžete ztratit kontrolu nad strojem.

2) ELEKTRICKÁ BEZPEČNOST

- a) **Připojovací zástrčka stroje musí lícovat se zásuvkou. Zástrčka nesmí být žádným způsobem upravena. Společně se stroji s ochranným uzemněním nepoužívejte žádné adaptérové zástrčky.** Neupravené zástrčky a vhodné zásuvky snižují riziko elektrického úderu.
- b) **Zabraňte kontaktu těla s uzemněnými povrchy, jako např. potrubí, topení, sporáky a chladničky.** Je-li Vaše tělo uzemněno, existuje zvýšené riziko elektrického úderu.
- c) **Chraňte stroj před deštěm a vlhkem.** Vniknutí vody do elektrického stroje zvyšuje nebezpečí elektrického úderu.
- d) **Dbejte na účel kabelu, nepoužívejte jej k nošení či zavěšení stroje nebo vytažení zástrčky ze zásuvky. Udržujte kabel daleko od tepla, oleje, ostrých hran**

nebo pohyblivých dílů stroje. Poškozené nebo spletené kabely zvyšují riziko elektrického úderu.

- e) **Pokud pracujete s elektronářadím venku, použijte pouze takové prodlužovací kabely, které jsou schváleny i pro venkovní použití.** Použití prodlužovacího kabelu, jež je vhodný pro použití venku, snižuje riziko elektrického úderu.
- f) **Pokud se nelze vyhnout provozu elektronářadí ve vlhkém prostředí, použijte ochranný jistič.** Nasazení ochranného jističe snižuje riziko úderu elektrickým proudem.

3) BEZPEČNOST OSOB

- a) **Buďte pozorní, dávejte pozor na to, co děláte a přistupujte k práci s elektronářadím rozumně. Stroj nepoužívejte pokud jste unaveni nebo pod vlivem drog, alkoholu nebo léků.** Moment nepozornosti při použití elektronářadí může vést k vážným poraněním.
- b) **Noste osobní ochranné pomůcky a vždy ochranné brýle.** Nošení osobních ochranných pomůček jako maska proti prachu, bezpečnostní obuv s protiskluzovou podrážkou, ochranná přilba nebo sluchátka, podle druhu nasazení elektronářadí, snižují riziko poranění.
- c) **Zabraňte neúmyslnému uvedení do provozu. Přesvědčte se, že je elektronářadí vypnuté dříve než jej uchopíte, poneseťe či připojíte na zdroj proudu a/ nebo akumulátor.** Máte-li při nošení elektronářadí prst na spínači nebo pokud stroj připojíte ke zdroji proudu zapnutý, pak to může vést k úrazům.
- d) **Než stroj zapnete, odstraňte seřizovací nástroje nebo šroubovák.** Nástroj nebo klíč, který se nachází v otáčivém dílu stroje, může vést k poranění.
- e) **Nepřečunujte se. Zajistěte si bezpečný postoj a vždy udržujte rovnováhu.** Tím můžete stroj v neočekávaných situacích lépe kontrolovat.
- f) **Noste vhodný oděv. Nenoste žádný volný oděv nebo šperky. Vlasy, oděv a rukavice udržujte daleko od pohyblivých se dílů.** Volný oděv, šperky nebo dlouhé vlasy mohou být zachyceny pohyblivými se díly.
- g) **Lze-li namontovat odsávací či zachycující přípravky, přesvědčte se, že jsou připojeny a správně použity.** Použití odsávání prachu může snížit ohrožení prachem.

4) SVĚDOMITÉ ZACHÁZENÍ A POUŽÍVÁNÍ ELEKTRONÁŘADÍ

- a) **Stroj nepřetěžujte. Pro svou práci použijte k tomu určený stroj.** S vhodným elektronářadím budete pracovat v udané oblasti výkonu lépe a bezpečněji.
- b) **Nepoužívejte žádné elektronářadí, jehož spínač je vadný.** Elektronářadí, které nelze zapnout či vypnout je nebezpečné a musí se opravit.
- c) **Než provedete seřízení stroje, výměnu dílů příslušenství nebo stroj odložíte, vytáhněte zástrčku ze zásuvky a/nebo odstraňte akumulátor.** Toto preventivní opatření zabrání neúmyslnému zapnutí stroje.
- d) **Uchovávejte nepoužívané elektronářadí mimo dosah dětí. Nenechte stroj používat osobám, které se strojem nejsou seznámeny nebo nečetly tyto pokyny.** Elektronářadí je nebezpečné, je-li používáno nezkušenými osobami.
- e) **Pečujte o stroj svědomitě. Zkontrolujte, zda pohyblivé díly stroje bezvadně fungují a nevzpřičují se, zda díly nejsou zlomené nebo poškozené tak, že je omezena funkce stroje. Poškozené díly nechte**

před nasazením stroje opravit. Mnoho úrazů má příčinu ve špatně udržovaném elektronářadí.

- f) **Řezné nástroje udržujte ostré a čisté.** Pečlivě ošetřované řezné nástroje s ostrými řeznými hranami se méně vzpíčí a dají se lehčeji vést.
- g) **Používejte elektronářadí, příslušenství, nasazovací nástroje apod. podle těchto pokynů. Respektujte přitom pracovní podmínky a prováděnou činnost.** Použití elektronářadí pro jiné než určující použití může vést k nebezpečným situacím.

5) SERVIS

- a) **Nechte Váš stroj opravit pouze kvalifikovaným odborným personálem a pouze s originálními náhradními díly.** Tím bude zajištěno, že bezpečnost stroje zůstane zachována.

BEZPEČNOSTNÍ PŘEDPISY PRO KMITACÍ PILY

ELEKTRICKÁ BEZPEČNOST

- Vždy zkontrolujte, zda je napájecí napětí stejné jako napětí uvedené na typovém štítku nástroje
- Pila se nesmí používat, je-li její přírodní šňůra poškozená; nechte si je kvalifikovaným pracovníkem vyměnit
- Jestliže přírodní šňůru při práci podkódníte nebo proříznete, nedotýkejte se jí a okamžitě ji vytáhněte ze sítových zásuvek
- Používejte zcela rozvinutá a bezpečně prodlužovací šňůry o kapacitě 16 ampér

BEZPEČNOST OSOB

- **Nepracovávajíte žádný materiál obsahující azbest** (azbest je karcinogenní)
- Tento nástroj nesmí používat osoby mladší 16 let
- Hladina hluku může při práci přesáhnout 85 dB(A); vhodným prostředkem si chraňte udi
- Pracujete-li s materiálem, který se snadno dtěpi, použijte ochranné brýle
- Prach z látek, jako jsou barvy obsahující olovo, některé druhy dřeva, minerály a kovy, může být škodlivý (kontakt s prachem nebo jeho vdechnutí může způsobit alergickou reakci a/nebo vyvolat respirační choroby u obsluhy nebo přihlížejících); **nošte protiprachovou masku a pracujte se zařízením na odsávání prachu, pokud je možné jej připojit**
- Některé druhy prachu jsou klasifikovány jako karcinogenní (například dubový a bukový prach) zejména ve spojení s přísadami pro úpravu dřeva; **nošte protiprachovou masku a pracujte se zařízením na odsávání prachu, pokud je možné jej připojit**
- Dodržujte stanovená nařízení pro práci v prašném prostředí
- **Před seřizováním, měněním pilových listů a příslušenství, vždy vytáhněte zástrčku nářadí z el. sítě**

PŘED POUŽITÍM

- Před každým použitím zkontrolujte funkčnost nástroje a v případě poruchy jej dejte ihned opravit kvalifikovanou osobou; nástroj nikdy sami neotevírejte
- Před začátkem řezání odstraňte z řezané dráhy všechny překážky jak nahoře tak vespod obrobku
- Vrtačku nepoužívejte je-li navlhla a npracujte v blízkosti snadno zápalných nebo výbušných materiálů; před zahájením práce je odstraňte

- **Zajistěte obráběný díl** (obráběný díl uchycený pomocí upínacích zařízení nebo ve svěráku je mnohem bezpečnější než v ruce)

BĚHEM POUŽITÍ

- **Pokud provádíte práce, při kterých může nasazovací nástroj zasáhnout skrytá elektrická vedení nebo vlastní síťový kabel, pak držte elektronářadí na izolovaných plochách rukojeti** (kontakt s vedením pod napětím může přivést napětí i na kovové díly elektronářadí a vést k úderu elektrickým proudem)
- Šňůru udržujte vždy mimo dosah pohyblivých částí nástroje; šňůru nasměrujte dozadu, pryč od nástroje
- V případě atypického chování nebo cizích hluků ihned vypněte nářadí a vytáhněte zástrčku
- Při práci dodržujte bezpečnou vzdálenost vašich rukou od běžícího pilového listu

PŘÍSLUŠENSTVÍ

- SKIL zajistí bezvadnou funkci nářadí pouze tehdy, používáte-li původní značkové
- Nepoužívejte pilu, je-li list prasklý, zdeformovaný nebo matný

VENKOVNÍ POUŽITÍ

- Při venkovním použití zapojte nástroj přes jistič poruchového proudu (FI) se spouštěcím proudem max. 30 mA, a používejte pouze takovou prodlužovací šňůru, která je určena pro venkovní použití a je vybavena spojovací zásuvkou chráněnou proti stříkající vodě

PO POUŽITÍ

- Jakmile se hodláte vzdálit od nářadí, měl byste ho vypnout a vyčkat, dokud se pohybující části nezastaví

OBSLUHA

- Zapnuto/vypnuto ④
- Aretace spínače pro nepřetržité použití ⑤
- Výměna pilových listů ⑥
 - ! **pilový list zcela zasunout tak, aby zuby směřovaly vpřed** ⑦
- Řezání při 15°/30°/45° ⑧
- Odsávání prachu ⑨a
 - ! **nepoužívejte vysavač při řezání kovu**
- Ofuk prachu ⑨b
- Použití nástroje
 - před zapnutím pily zkontrolujte, zda přední hrana patky spočívá rovně na řezaném materiálu
 - uchopte nástroj pevně oběma rukama, abyste jej za vdech okolností dokonale ovládali
 - ! **při práci vždy držte nástroj v šedě zabarvené oblasti rukojeti** ⑩
 - zkontrolujte, zda patka spočívá celou plochou pevně na řezaném materiálu
 - ! **před vyjmutím nářadí z obrobku nejdříve sečkejte do úplného zastavení pilového listu**
 - udržujte větrací štěrby C ⑫ nezakryté

NÁVOD K POUŽITÍ

- Použijte vhodné pilové listy ⑪
 - ! **do nástroj můžete připevnit většinu běžně dostupných pilových listů se stopkami typu T a U** ⑫
- Při řezání kovů listy pravidelně naolejujte
- K přesnému rovnému řezu veďte patku nástroje podél hrany rovného kusu dřeva ⑬

- Před vyřezáváním výkrojků si do materiálu vyvrtejte otvor ⁽¹⁴⁾
- Řezání bez štěpení
 - před řezáním nalepte na zamýšlený řez několik vrstev široké pásky
 - řezy provádějte vždy na rubu materiálu (licem dolů)
- Další tipy najdete na www.skil.com

ÚDRŽBA / SERVIS

- Tento nástroj není určen k profesionálnímu použití
- Nástroj a přívodní šňůru udržujte čisté (zejména větrací štěrbinu C ⁽²⁾)
- ! **před čištěním odpojte zástrčku**
- Pokud dojde i přes pečlivou výrobu a náročné kontroly k poruše nástroje, svěťte provedení opravy autorizovanému servisnímu středisku pro elektronářadí firmy SKIL
 - zašlete nástroj **nerozebraný** spolu s potvrzením o nákupu své prodejně nebo nejbližšímu servisu značce SKIL (adresy a servisní schéma nástroje najdete na www.skil.com)

ŽIVOTNÍ PROSTŘEDÍ

- **Elektrické nářadí, doplňky a balení nevyhazujte do komunálního odpadu** (jen pro státy EU)
 - podle evropské směrnice 2012/19/EG o nakládání s použitými elektrickými a elektronickými zařízeními a odpovídajících ustanovení právních předpisů jednotlivých zemí se použitá elektrická nářadí, musí sbírat odděleně od ostatního odpadu a podrobit ekologicky šetrnému recyklování
 - symbol ⁽¹⁵⁾ na to upozorňuje

PROHLÁŠENÍ O SHODĚ CE

Kmitací pila 4285

Technická data ⁽¹⁾

- Prohlašujeme v plné naší zodpovědnosti, že v odstavci "Technická data" popsany výrobek je v souladu s následujícími normami nebo normativními dokumenty: EN 60745, EN 61000, EN 55014, podle ustanovení směrnice 2014/30/EU, 2006/42/ES, 2011/65/EU
- **Technická dokumentace u:** SKIL Europe BV (PT-SEU/ENG1), 4825 BD Breda, NL

Marijn van der Hoofden
Operations & Engineering

Olaf Dijkgraaf
Approval Manager

SKIL Europe BV, 4825 BD Breda, NL

02.02.2015

HLUČNOSTI/VIBRACÍ

- Měřeno podle EN 60745 číni tlak hlučkové vlny tohoto přístroje 84 dB(A) a dávka hluččnosti 95 dB(A) (standardní odchylka: 3 dB), a vibrací * m/s² (vektorový součet tří os; nepřesnost K = 1,5 m/s²)
 - * při řezání dřeva 11,9 m/s²
 - * při řezání kovů 12,4 m/s²

- Úroveň vibrací byla měřena v souladu se standardizovaným testem podle EN 60745; je možné ji použít ke srovnání jednoho přístroje s druhým a jako předběžné posouzení uvadení se vibracím při používání přístroje k uvedeným aplikacím
 - používání přístroje k jiným aplikacím nebo s jiným či špatně udržovaným příslušenstvím může zásadně **zvýšit** úroveň vystavení se vibracím
 - doba, kdy je přístroj vypnutý nebo kdy běží, ale ve skutečnosti není využíván, může zásadně **snížit** úroveň vystavení se vibracím
- ! **chráňte se před následky vibrací tak, že budete dbát na údržbu přístroje a příslušenství, budete si udržovat teplé ruce a uspořádáte si své pracovní postupy**

TR

Decupaj testere

4285

GİRİS

- Bu cihaz, tahta, plastik, metal, üzerinde 45° derecelik açılı ile düz ve kıvrımlı kesimler yapmaya uygundur
- Bu alet profesyonel kullanıma yönelik değildir
- Bu kullanma kılavuzunu okuyun ve saklayın ⁽³⁾

TEKNİK VERİLER ⁽¹⁾

ALET BİLEŞENLERİ ⁽²⁾

- A Açma/kapama şalteri
- B Anahtar kilitleme düğmesi
- C Havalandırma yuvaları
- D Alyen anahtarı bölmesi

GÜVENLİK

GENEL GÜVENLİK TALİMATI

⚠ DİKKAT! Bütün uyarıları ve talimat hükümlerini okuyun. Açıklanan uyarılara ve talimat hükümlerine uyulmadığı takdirde elektrik çarpmalarına, yangınlara ve/veya ağır yaralanmalara neden olunabilir. **Bütün uyarıları ve talimat hükümlerini ileride kullanmak üzere saklayın.** Uyarı ve talimat hükümlerinde kullanılan "elektrikli el alet" kavramı, akım şebekesine bağlı (şebeke bağlantı kablosu ile) aletlerle akü ile çalışan aletleri (akım şebekesine bağlantısı olmayan aletler) kapsamaktadır.

1) ÇALIŞMA YERİ GÜVENLİĞİ

- Çalıştığınız yeri temiz ve düzenli tutun.** İşyerindeki düzensizlik veya yetersiz aydınlatma kazalara neden olabilir.
- Yanıcı sıvıların, gazların veya tozların bulunduğu ortamla tehlikesiz olan yer ve mekânlarda aletinizle çalışmayın.** Elektrikli el aletleri, toz veya buharların tutuşmasına veya yanmasına neden olan kıvılcımlar çıkarırlar.
- Elektrikli el aletinizle çalışırken çocukları ve başkalarını çalışma alanınızın uzağında tutun.**

Yakınızdaki bulunan kişiler dikkatinizi dağıtabilir ve bu da alet üzerindeki kontrolünüzü kaybetmenize neden olabilir.

2) ELEKTRİKSEL GÜVENLİK

- a) **Aletinizi bağlantı fişi prize uymalıdır. Fişi hiçbir şekilde değiştirmeyin. Koruyucu topraklamalı aletlerle adaptörlü fiş kullanmayın.** Değiştirilmemiş, orijinal fişi ve uygun prizler elektrik çarpmaya tehlikesini azaltır.
- b) **Borular, kalorifer tesisatı, ısıtıcılar ve buzdolapları gibi topraklanmış yüzeylerle bedensel temasa gelmekten kaçının.** Eğer bedeniniz topraklanacak olursa yüksek bir elektrik çarpmaya tehlikesi ortaya çıkar.
- c) **Aletinizi yağmur ve nemden koruyun.** Elektrikli el aletinin içine suyun sızması elektrik çarpmaya tehlikesini yükseltir.
- d) **Kabloyu kendi amacı dışında kullanmayın; örneğin aleti kablodan tutarak taşımayın, aleti kablo ile asmayın veya kablodan çekerek fişi prizden çıkarmayın.** Kabloyu aşırı ısıktan, yağlardan, keskin kenarlı cisimlerden veya aletin hareketli parçalarından uzak tutun. Hasarlı veya dolaşmış kablo elektrik çarpmaya tehlikesini yükseltir.
- e) **Elektrikli el aletinizle açık havada çalışırken mutlaka açık havada kullanılmaya müsadeleli uzatma kablosu kullanın.** Açık havada kullanılmaya uygun ve müsadeleli uzatma kablosunun kullanılması elektrik çarpmaya tehlikesini azaltır.
- f) **Elektrikli el aletinin nemli ortamlarda çalıştırılması şartsa, mutlaka toprak kaçağı devre kesicisi kullanın.** Toprak kaçağı devre kesicisi kullanımı elektrik çarpmaya tehlikesini azaltır.

3) KİŞİLERİN GÜVENLİĞİ

- a) **Dikkatli olun, ne yaptığınıza dikkat edin ve elektrikli el aletinizle çalışırken makul hareket edin.** Yorgunsanız, hap, ilaç veya alkol almışsanız aletinizi kullanmayın. Aletinizi kullanırken bir anlık dikkatsizliğiniz ciddi yaralanmalara yol açabilir.
- b) **Daima kişisel korunma donanımları ve bir koruyucu gözlük kullanın.** Elektrikli el aletinin türü ve kullanımına uygun olarak kullanacağınız toz maskesi, kaymayan sağlam iş ayakkabıları, koruyucu kask veya koruyucu kulaklık gibi kişisel korunma donanımlarını kullanmanız yaralanma tehlikesini büyük ölçüde azaltır.
- c) **Aleti yanlışlıkla çalıştırmaktan kaçının. Akım ikmal şebekesine ve/veya aküye bağlamadan, elinize alıp taşımadan önce elektrikli el aletinin kapalı durumdaymış olduğundan emin olun.** Elektrikli el aletini parmağınız şalter üzerinde dururken taşırsanız ve alet açıkken fişi prize sokarsanız kazalara neden olabilirsiniz.
- d) **Aleti çalıştırmadan önce ayar aletlerini veya tornavidaları aletten uzaklaştırın.** Dönen alet parçasına temas halinde bulunan bir uç veya anahtar yaralanmalara neden olabilir.
- e) **Kendinize çok fazla güvenmeyin. Duruşunuzun güvenli olmasına dikkat edin ve daima dengenizi koruyun.** Bu sayede aletinizi beklenmedik durumlarda daha iyi kontrol edersiniz.
- f) **Uygun iş giysileri giyin. Çalışırken çok bol giysiler giymeyin ve takı takmayın. Saçlarınızı, giysilerinizi ve eldivenlerinizi aletin hareketli parçalarından uzak tutun.** Bol giysiler, takılar veya uzun saçlar aletin hareketli parçaları tarafından tutulabilir.

- g) **Aletinize toz emme donanımı ve toz tutma donanımı takılabiliyorsa, bunların bağlı olup olmadığını ve doğru işlev görüp görmediklerini kontrol edin.** Toz emme donanımının kullanımı tozdan kaynaklanabilecek tehlikeleri azaltır.
 - 4) **ELEKTRİKLİ EL ALETLERİYLE DİKKATLİ ÇALIŞMAK VE ALETİ DOĞRU KULLANMAK**
 - a) **Aletinizi aşırı ölçüde zorlamayın. İşinize uygun elektrikli el aletini kullanın.** Uygun elektrikli el aleti ile belirtilen performans alanında daha iyi ve daha güvenli çalışırsınız.
 - b) **Açma/kapama şalteri arızalı olan elektrikli el aletini kullanmayın.** Açılıp kapanamayan bir elektrikli el aleti tehlikelidir ve onarılması gerekir.
 - c) **Alette bir ayarlamaya işleme başlamadan ve/veya aküyü çıkarmadan önce, herhangi bir aksesuarı değiştirirken veya aleti elinizden bırakırken fişi prizden çekin.** Bu önlem, aletin kontrolünüz dışında ve istenmeden çalışmasını önler.
 - d) **Kullanım dışında iken elektrikli el aletinizi çocukların ulaşamayacağı bir yerde saklayın. Aleti kullanmayı bilmeyen veya bu güvenlik talimatını okumayan kişilerin aleti kullanmasına izin vermeyin.** Deneyimsiz kişiler tarafından kullanıldıkları takdirde elektrikli el aletleri tehlikeli olabilirler.
 - e) **Aletinizi bakımını özenle yapın. Aletin hareketli parçalarının kusursuz işlev görüp görmediklerini ve sıkışmadıklarını, parçaların kırık veya hasarlı olup olmadıklarını kontrol edin, aksi takdirde alet işlevini tam olarak yerine getiremez. Aletinizi kullanmadan önce hasarlı parçaları onartın.** Birçok iş kazası aletlerin kötü ve yetersiz bakımından kaynaklanır.
 - f) **Kesici uçları keskin ve temiz tutun.** İyi bakım görmüş kesici uçlar daha ender sıkışır ve daha iyi yönlendirilirler.
 - g) **Elektrikli el aletlerini, aksesuarı, uçları ve benzerlerini bu güvenlik talimatına uygun olarak kullanın. Aletinizi kullanırken çalışma koşullarını ve yaptığınız işi daima dikkate alın.** Elektrikli el aletlerini kendileri için öngörülen işlerin dışında kullanmak tehlikeli durumların ortaya çıkmasına neden olabilir.
- ## 5) SERVİS
- a) **Aletinizi sadece uzman bir elemana ve orijinal yedek parçalar kullanılarak onartın.** Böylelikle aletin güvenliğini korumuş olursunuz.

DEKUPAJ TESTERELERİ İÇİN GÜVENLİK TALİMATI

ELEKTRİKSEL GÜVENLİK

- Güç geriliminin, aletin özellik plakasında belirtilen voltaj değeriyle aynı olduğunu sık sık kontrol edin
- Kordon hasarlı iken cihazı kesinlikle kullanmayınız; uzman bir kişi tarafından değiştiriniz
- Eğer cihazı kullanırken kordon hasar görür yada kesilirse, kordona kesinlikle dokunmayınız ve derhal fişi çekiniz
- Tamamen kusursuz ve güvenli 16 Amp uzatma kabloları kullanın

KİŞİLERİN GÜVENLİĞİ

- Bu aletle asbest içeren malzemeleri işlemeyin (asbest kanserojen bir madde kabul edilir)
- Bu alet 16 yaşının altındaki kişiler tarafından kullanılmamalıdır

- Cihaz çalışırken gürültü seviyesi 85 dB(A) desibele kadar çıkabilir; kulak koruyucu kullanınız
- Parçacıklar çıkartan maddeler ile uğraşırken koruyucu gözlük takınız
- Kurşun içeren boya, bazı ahşap türleri, mineral ve metal gibi malmelerden çıkan toz zararlı olabilir (tozla temasta bulunulması veya solunması operatörde veya yakında bulunan kişilerde alerjik reaksiyonlara ve/veya solunum yolu hastalıklarına neden olabilir); **toz maskesi takın ve toz ekstraksiyon cihazıyla çalışın (bağlanabiliyorsa)**
- Bazı toz tipleri (örneğin meşe ve kayın ağacı tozu), bilhassa ahşap yenileme katkı maddeleriyle birlikte, karsinojenik olarak sınıflandırılır; **toz maskesi takın ve toz ekstraksiyon cihazı ile çalışın (bağlanabiliyorsa)**
- Çalışmak istediğiniz malmelerin, toz ile ilgili ulusal taleplerini takip ediniz
- **İsteddiğiniz ayar değişikliklerini ve aksesuar değişikliklerini yapmadan önce mutlaka şebeke fişini prizden çekin**

KULLANMADAN ÖNCE

- Her kullanım öncesinde cihazın çalışmasını kontrol edin, herhangi bir arıza durumunda, hiç vakit kaybetmeden yetkili servis personeli tarafından onarılmasını sağlayın, cihazı kesinlikle kendiniz açmaya çalışmayın
- Kesme işlemine başlamadan önce, kesme hattı altındaki ve üstündeki bütün engelleri uzaklaştırın
- İş parçasının vida, çivi ve benzeri malzeme tarafından hasar görmemesi için dikkatli olun; çalışmaya başlamadan önce bunları çıkartın
- **Çalıştığınız parçayı sabitleyin** (kıskaçlarla ya da mengeneye bağlanmış bir iş parçası elle tutulan işten daha güvenlidir)

KULLANIM SIRASINDA

- **Çalışma esnasından uç görünmeyen akım kablolarına veya kendi bağlantı kablosuna temas etme olasılığı olan işleri yaparken aleti sadece izolasyonlu tutamaklarından tutun** (geçirim ileten kablolarla temas elektrikli el aletinin metal parçalarını da elektrik akımına maruz bırakabilir ve elektrik çarpmasına neden olabilir)
- Kabloyu her zaman aletin hareketli parçalarından uzak tutun; kabloyu arka tarafta araçtan uzakta bulundurun
- Elektriksel veya mekaniksel hatalı çalışma durumunda aleti hemen kapatın ve fişi çekin
- Alet açıkken ellerinizi testere

AKSESUARLAR

- SKIL sadece orijinal aksesuarlar kullanıldığında aletin düzgün çalışmasını garanti eder
- Çatlakmış, eskimiş ve kör bıçakları kullanmayınız

DIŞARIDA KULLANIM

- Açık havada kullanırken, cihazı maksimum 30 mA tetikleyici akımı olan bir hatalı akım (FI) devre kesicisine bağlayın ve yalnızca açık havada kullanıma uygun ve su geçirmez ara prizi olan bir uzatma kablosu kullanın

KULLANIMDAN SONRA

- Aletinizi bırakıp gitmeden önce mutlaka kapatın ve döner parçaların tam olarak durmasını bekleyin

KULLANIM

- Açma/kapama ④
- Sürekli kullanım için anahtar kilitleme ⑤

- Testere bıçağının değiştirilmesi ⑥
- **! testere bıçağını testere dişleri öne doğru gelecek biçimde en derin konumda sıkın ⑦**
- 15°/30°/45° ile kesme ⑧
- Toz emme ⑨a
- **! metalleri keserken süpürgeyi kullanmayınız**
- Toz üfleme ⑨b
- Aletin çalıştırılması
 - cihazı çalıştırmadan önce, testere tabanının ön ucunun çalıştığınız yüzey üzerinde yatay olarak durmasına dikkat ediniz
 - cihaz üzerinde her an kontrol sahibi olmak için, iki elinizle sıkıca tutunuz
- **! çalışma esnasında, aleti daima gri renkli bölge(ler)den tutun(uz) ⑩**
- testere tabanının tümüyle çalıştığınız malzeme üzerinde olmasına dikkat ediniz
- **! aleti iş parçasından çıkarmadan önce testere bıçağının tam olarak durmasını bekleyin**
- havalandırma yuvalarını C ② açık tutun

UYGULAMA

- Uygun testere uçları kullanın ⑪
- **! aleti bulunması kolay T-shank ve U-shank uçları ile kullanılabilir ⑫**
- Metalleri keserken testere ucunu yağ ile düzenli olarak yağlayın
- Hassas düz bir kesim için, aleti ayak plakası ile tahtanın düzgün kenarından kılavuzlu olarak kullanın ⑬
- Kesikleri yapmadan önce delik açın ⑭
- Ayrılmaz kesme
 - kesme işleminden önce kesme noktasını bir kaç kat kalın bant ile kaplayın
 - malzemenin iyi yüzü daima aşağıya bakmalıdır
- Daha fazla ipucu için www.skil.com sitesini gezin

BAKIM / SERVİS

- Bu alet profesyonel kullanıma yönelik değildir
- Aleti ve kablosunu daima temiz tutun (özellikle havalandırma yuvalarını C ②)
- **! temizlemeden önce, cihazın fişini prizden çekin**
- Dikkatli biçimde yürütülen üretim ve test yöntemlerine rağmen aleti arıza yapacak olursa, onarım SKIL elektrikli aletleri için yetkili bir serviste yapılmalıdır
 - aleti ambalajıyla birlikte satın alma belgenizide ekleyerek satıcınıza veya en yakın SKIL servisine ulaştırın (adresler ve aletin servis şemaları www.skil.com adresinde listelenmiştir)

ÇEVRE

- **Elektrikli aletlerini, aksesuarları ve ambalajları evdeki çöp kutusuna atmayınız** (sadece AB ülkeleri için)
 - kullanılmış elektrikli aletleri, elektrik ve elektronik eski cihazlar hakkındaki 2012/19/EC Avrupa yönergelerine göre ve bu yönergeler ulusal hukuk kurallarına göre uyarlanarak, ayrı olarak toplanmalı ve çevre şartlarına uygun bir şekilde tekrar değerlendirmeye gönderilmelidir
 - sembol ⑮ size bunu anımsatmalıdır

UYGUNLUK BEYANI CE

Dekupaj testere 4285

Teknik veriler ①

- Tek sorumlu olarak "Teknik veriler" bölümünde tanımlanan ürünün aşağıdaki norm veya normatif belgelere uygunluğunu beyan ederiz: EN 60745, EN 61000, EN 55014 yönetmelik hükümleri uyarınca 2014/30/EU, 2006/42/EG, 2011/65/EU
- **Teknik belgelerin bulunduğu merkez:** SKIL Europe BV (PT-SEU/ENG1), 4825 BD Breda, NL

Marijn van der Hoofden
Operations & Engineering

Olaf Dijkgraaf
Approval Manager

SKIL Europe BV, 4825 BD Breda, NL

02.02.2015

GÜRÜLTÜ/TİTREŞİM

- Ölçülen EN 60745 göre ses basıncı bu makinanın seviyesi 84 dB(A) ve çalışma sırasındaki gürültü 95 dB(A) (standart sapma: 3 dB), ve titreşim * m/s² (üç yönün vektör toplamı; tolerans K = 1,5 m/s²)
 - * tahta keserken 11,9 m/s²
 - * metalleri keserken 12,4 m/s²
 - Titreşim emisyon seviyesi EN 60745'te sunulan standart teste göre ölçülmüştür; bu seviye, bir aleti bir başkasıyla karşılaştırmak amacıyla ve aletin söz konusu uygulamalarda kullanılması sırasında titreşime maruz kalma derecesinin ön değerlendirmesi olarak kullanılabilir
 - aletin farklı uygulamalar için veya farklı ya da bakımı yetersiz yapılmış aksesuarlarla kullanılması, maruz kalma seviyesini belirgin biçimde **arttırabilir**
 - aletin kapalı olduğu veya çalıştığı ancak gerçek anlamda iş yapmadığı zamanlarda, maruz kalma seviyesi belirgin biçimde **azalabilir**
- ! aletin ve aksesuarlarının bakımını yaparak, ellerinizi sıcak tutarak ve iş modellerinizi düzenleyerek kendinizi titreşimin etkilerinden koruyun**

PL

Wyrzynarka

4285

WSTĘP

- Narzędzie jest przeznaczone do cięcia i wycinania w drewnie, plastyku, metalu; nadaje się do cięcia prostego i krzywoliniowego o kącie nachylenia do 45°
- Narzędzie nie jest przeznaczone do zastosowań profesjonalnych
- Przeczytać i zachować niniejszą instrukcję obsługi ③

DANE TECHNICZNE ①

ELEMENTY NARZĘDZIA ②

- A Przycisk włącznik/wyłącznik
- B Przycisk blokady włącznika
- C Szczeliny wentylacyjne
- D Schowek na klucz sześciokątny

BEZPIECZEŃSTWO

OGÓLNE PRZEPISY BEZPIECZEŃSTWA

UWAGA! Należy przeczytać wszystkie wskazówki i przepisy. Błędy w przestrzeganiu poniższych wskazówek mogą spowodować porażenie prądem, pożar i/lub ciężkie obrażenia ciała. **Należy starannie przechowywać wszystkie przepisy i wskazówki bezpieczeństwa dla dalszego zastosowania.** Użyte w poniższym tekście pojęcie "elektronarzędzie" odnosi się do elektronarzędzi zasilanych energią elektryczną z sieci (z przewodem zasilającym) i do elektronarzędzi zasilanych akumulatorami (bez przewodu zasilającego).

1) BEZPIECZEŃSTWO MIEJSCA PRACY

- a) **Miejsce pracy należy utrzymywać w czystości i dobrze oświetlone.** Nieporządek lub nie oświetlone miejsce pracy mogą doprowadzić do wypadków.
- b) **Nie należy pracować tym narzędziem w otoczeniu zagrożonym wybuchem, w którym znajdują się np. łatwopalne ciecze, gazy lub pyły.** Elektronarzędzia wytwarzają iskry, które mogą podpalić ten pył lub pary.
- c) **Elektronarzędzie trzymać podczas pracy z daleka od dzieci i innych osób.** Przy nieuwadze można stracić kontrolę nad narzędziem.

2) BEZPIECZEŃSTWO ELEKTRYCZNE

- a) **Wtyczka urządzenia musi pasować do gniazda. Nie wolno modyfikować wtyczki w jakikolwiek sposób. Nie należy używać wtyczek adapterowych razem z uzmiennionymi narzędziami.** Niezmienione wtyczki i pasujące gniazda zmniejszają ryzyko porażenia prądem.
- b) **Należy unikać kontaktu z uzmiennionymi powierzchniami jak rury, grzejniki, piece i lodówki.** Istnieje zwiększone ryzyko porażenia prądem, gdy Państwa ciało jest uzmiennione.
- c) **Urządzenie należy przechowywać zabezpieczone przed deszczem i wilgocią.** Wniknięcie wody do elektronarzędzia podwyższa ryzyko porażenia prądem.
- d) **Nigdy nie należy używać kabla do innych czynności. Nigdy nie używać kabla do noszenia urządzenia za kabel, zawieszania lub do wyciągania wtyczki z gniazda. Kabel należy trzymać z daleka od wysokich temperatur, oleju, ostrych krawędzi lub ruchomych części urządzenia.** Uszkodzone lub poplątane kable zwiększają ryzyko porażenia prądem.
- e) **W przypadku, kiedy elektronarzędziem pracuje się na świeżym powietrzu należy używać kabla przedłużającego, który dopuszczony jest do używania na zewnątrz.** Użycie dopuszczonego do używania na zewnątrz kabla przedłużającego zmniejsza ryzyko porażenia prądem.
- f) **Jeżeli nie da się uniknąć zastosowania elektronarzędzia w wilgotnym otoczeniu, należy użyć wyłącznika ochronnego różnicowo-prądowego.**

Zastosowanie wyłącznika ochronnego różnicowo-prądowego zmniejsza ryzyko porażenia prądem.

3) BEZPIECZEŃSTWO OSÓB

- a) **Należy być uważnym, uważać na to co się robi i pracę elektronarzędziem rozpoczynać z rozsądkiem. Nie należy używać urządzenia gdy jest się zmęczonym lub pod wpływem narkotyków, alkoholu lub lekarstw.** Moment nieuwagi przy użyciu urządzenia może doprowadzić do poważnych urażeń ciała.
 - b) **Należy nosić osobiste wyposażenie ochronne i zawsze okulary ochronne.** Noszenie osobistego wyposażenia ochronnego jak maska przeciwpyłowa, nie ślizgające się buty robocze, hełm ochronny lub ochrona słuchu, w zależności od rodzaju i zastosowania elektronarzędzia zmniejsza ryzyko obrażeń ciała.
 - c) **Należy unikać niezamierzonego uruchomienia narzędzia. Przed włożeniem wtyczki do gniazdka i/ lub podłączeniem do akumulatora, a także przed podniesieniem lub przeniesieniem elektronarzędzia, należy upewnić się, że elektronarzędzie jest wyłączone.** Trzymanie palca na wyłączniku podczas przenoszenia elektronarzędzia lub podłączenie do prądu włączonego narzędzia, może stać się przyczyną wypadków.
 - d) **Zanim urządzenie zostanie włączone należy usunąć narzędzia nastawcze lub klucze.** Narzędzie lub klucz, które znajdują się w ruchomych częściach urządzenia mogą doprowadzić do obrażeń ciała.
 - e) **Nie należy przeceniać swoich możliwości. Należy dbać o bezpieczną pozycję pracy i zawsze utrzymywać równowagę.** Przez to możliwa jest lepsza kontrola urządzenia w nieprzewidzianych sytuacjach.
 - f) **Należy nosić odpowiednie ubranie. Nie należy nosić luźnego ubrania lub biżuterii. Włosy, ubranie i rękawice należy trzymać z daleka od ruchomych elementów.** Luźne ubranie, biżuteria lub długie włosy mogą zostać pociągnięte przez poruszające się części.
 - g) **W przypadku, kiedy możliwe jest zamontowanie urządzeń odsysających lub podchwytyjących należy upewnić się, czy są one właściwie podłączone i prawidłowo użyte.** Użycie urządzenia odsysającego pył może zmniejszyć zagrożenie pyłami.
- #### 4) UWAŻNE OBCOWANIE ORAZ UŻYCIE ELEKTRONARZĘDZIA
- a) **Nie należy przeciążać urządzenia. Do pracy używać należy elektronarzędzia, które jest do tego przewidziane.** Odpowiednim narzędziem pracuje się lepiej i bezpieczniej w podanym zakresie sprawności.
 - b) **Nie należy używać elektronarzędzia, którego wyłącznik/wyłącznik jest uszkodzony.** Elektronarzędzie, którego nie można włączyć lub wyłączyć jest niebezpieczne i musi zostać naprawione.
 - c) **Przed regulacją urządzenia, wymianą osprzętu lub po zaprzestaniu pracy narzędziem, należy wyciągnąć wtyczkę z gniazda i/lub usunąć akumulator.** Ten środek ostrożności zapobiega niezamierzonemu włączeniu się urządzenia.
 - d) **Nie używane elektronarzędzia należy przechowywać poza zasięgiem dzieci. Nie należy udostępniać narzędzia osobom, które jego nie umieją lub nie przeczytały tych przepisów.** Używane przez

niedoświadczone osoby elektronarzędzia są niebezpieczne.

- e) **Urządzenie należy starannie konserwować. Należy kontrolować, czy ruchome części urządzenia funkcjonują bez zarzutu i nie są zablokowane, czy części nie są pęknięte lub uszkodzone, co mogłoby mieć wpływ na prawidłowe funkcjonowanie urządzenia. Uszkodzone narzędzie należy przed użyciem urządzenia oddać do naprawy.** Wiele wypadków spowodowanych jest przez niewłaściwą konserwację elektronarzędzi.
 - f) **Osprzęt tnący należy utrzymywać ostry i czysty.** Starannie pielęgnowany osprzęt tnący z ostrymi krawędziami tnącymi blokuje się rzadziej i łatwiej się używa.
 - g) **Elektronarzędzia, osprzęt, narzędzia itd. należy używać odpowiednio do tych przepisów. Uwzględnić należy przy tym warunki pracy i czynności do wykonania.** Użycie elektronarzędzi do innych niż przewidziane prace może doprowadzić do niebezpiecznych sytuacji.
- #### 5) SERWIS
- a) **Naprawę urządzenia należy zlecić jedynie kwalifikowanemu fachowcowi i przy użyciu oryginalnych części zamiennych.** To gwarantuje, że bezpieczeństwo użytkownika zostanie zachowane.

PRZEPISY BEZPIECZEŃSTWA DO WYRZYNARKI

BEZPIECZEŃSTWO ELEKTRYCZNE

- Każdorazowo należy sprawdzać, czy napięcie zasilania jest zgodne z napięciem podanym na tabliczce znamionowej urządzenia
- Pod żadnym pozorem nie wolno korzystać z narzędzia z uszkodzonym przewodem; zleć jego wymianę wykwalifikowanej osobie
- W przypadku uszkodzenia lub przecięcia przewodu podczas pracy, nie wolno go dotykać, tylko należy natychmiast wyciągnąć z gniazdka wtyczkę
- W przypadku korzystania z kabla przedłużającego należy zwrócić uwagę, aby był maksymalnie nawinięty na bęben oraz był przystosowany do przewodzenia prądu o natężeniu przynajmniej 16 A

BEZPIECZEŃSTWO OSÓB

- **Nie należy obrabiać materiału zawierającego azbest (azbest jest rakotwórczy)**
- Narzędzie nie powinny używać dzieci poniżej 16 roku życia
- Poziom hałasu podczas pracy może przekraczać 85 dB(A); używać nasuszniki do ochrony słuchu
- Podczas pracy z materiałami wytwarzającymi wióry nosić okulary ochronne
- Pył pochodzący z takich materiałów, jak farby zawierające ołów, niektóre gatunki drzewa, minerały i metal może być szkodliwy (kontakt z nim lub wdychanie takiego pyłu może powodować reakcje alergiczne i/lub niewydolność oddechową u operatora lub osób towarzyszących); **należy zakładać maskę przeciwpyłową i pracować z urządzeniem odsysającym, jeżeli można je podłączyć**
- Niektóre rodzaje pyłu są zaklasyfikowane jako rakotwórcze (takie, jak pył dębu i buka) szczególnie w

połączeniu z dodatkami do kondycjonowania drewna; należy zakładać maskę przeciwpyłową i pracować z urządzeniem odsysającym pył, jeżeli można je podłączyć

- Należy stosować się do lokalnych wymogów dotyczących pracy w otoczeniu pyłu powstającego podczas obróbki materiału
- Przed przystąpieniem do wykonywania jakichkolwiek czynności przy narzędziu, w czasie przerw w pracy jak również po jej zakończeniu wyjąć wtyczkę z gniazda sieciowego

PRZED UŻYCIEM

- Sprawdzić, czy urządzenie działa prawidłowo; w przypadku uszkodzenia naprawy powinien dokonać wykwalifikowany personel techniczny; nigdy nie otwierać samemu urządzenia
- Przed przystąpieniem do obróbki należy usunąć wszelkie przeszkody znajdujące się po obu stronach obrabianego przedmiotu wzdłuż linii cięcia
- Uwaga na gwoździe, śruby i inne twarde przedmioty; przed przystąpieniem do obróbki powinny być usunięte z obrabianego przedmiotu; usunąć je przed rozpoczęciem pracy
- Należy zabezpieczyć miejsce przeznaczone do zszycia (miejsce przeznaczone do zszycia umieszczone w zaciskach lub imadle jest utrzymywane w miejscu bezpieczniej niż w ręku)

PODCZAS UŻYWANIA

- Podczas wykonywania prac, przy których narzędzie robocze mogłoby natrafić na ukryte przewody elektryczne lub na własny przewód zasilający, elektronarzędzie należy trzymać za izolowane powierzchnie rękojeści (kontakt z przewodem sieci zasilającej może spowodować przekazanie napięcia na części metalowe elektronarzędzia, co mogłoby spowodować porażenie prądem elektrycznym)
- Kabel zasilający powinien stale znajdować się w bezpiecznej odległości od wirującej części elektronarzędzia; kabel zasilający zawsze prowadzić z tyłu elektronarzędzia
- W przypadku wadliwego działania mechanicznych lub elektrycznych elementów urządzenia, należy bezzwocznie odłączyć narzędzie i wyjąć wtyczkę
- Nie zbliżać rąk do obracającej się piły tarczowej

AKCESORIA

- SKIL może zagwarantować bezawaryjne działanie narzędzia tylko przy korzystaniu z oryginalnego wyposażenia dodatkowego
- Nie używać pękniętego, odkształconego lub tępego brzeszczotu

STOSOWANIE NA DWORZE

- Pracując na otwartym powietrzu podłączyć urządzenie za pośrednictwem wyłącznika prądu zakłócenieowego (FI), wyzwalanego prądem o natężeniu nie przekraczającym 30 mA; używać wyłącznie specjalnego przedłużacza do pracy na otwartym powietrzu wyposażonego w bryzgoszczelne gniazdo sprzęgające

PO UŻYCIU

- Przed pozostawieniem elektronarzędzia należy odłączyć zasilanie elektryczne i odczekać do całkowitego zatrzymania się wrzeciona

UŻYTKOWANIE

- Włącznik/wyłącznik ④
- Blokada włącznika dla pracy ciągłej ⑤
- Wymiana brzeszczotów pił ⑥
 - ! umieścić brzeszczot w uchwycie użębieniem do przodu wciskając go do końca ⑦
- Cięcie pod kątem 15°/30°/45° ⑧
- Odsysanie pyłu ⑨a
- ! nie używać odsysacza podczas cięcia metalu
- Dmuchawa pyłu ⑨b
- Obsługa narzędzia
 - przed włączeniem narzędzia upewnić się, że stopa jest ułożona płasko na obrabianym materiale
 - trzymać narzędzie mocno obiema rękoma, tak aby przez cały czas nad nim panować
 - ! podczas pracy zawsze trzymać narzędzie za uchwyt(y) ograniczone szarym kolorem ⑩
 - zapewnić pewne docięnięcie całej powierzchni stopy wyrzynarki do obrabianego przedmiotu
 - ! przed podniesieniem narzędzia z obrabianego materiału należy się upewnić, że ostrze zatrzymało się w pełni
 - szczeliny wentylacyjne C ② powinny być odkryte


WSKAZÓWKI UŻYTKOWANIA

- Używać właściwych brzeszczotów pił ⑪
 - ! narzędzie akceptuje większość ogólnie dostępnych brzeszczotów z uchwytem typu T i U ⑫
- Podczas cięcia metalu regularnie zwilżać olejem brzeszczot piły
- Podczas dokładnego cięcia prostoliniowego prowadzić podstawę narzędzia przy prostym kawałku drewna ⑬
- Przy wykonywaniu wycięć wywiercić wcześniej otwór ⑭
- Cięcie bez odłupywania krawędzi
 - przed piłowaniem linię cięcia zakleić kilkoma warstwami szerokiej taśmy klejącej
 - eksponowaną stronę piłowanego materiału zawsze układać do dołu
- Więcej wskazówek można znaleźć pod adresem www.skil.com

KONSERWACJA / SERWIS

- Narzędzie nie jest przeznaczone do zastosowań profesjonalnych
- Zawsze dbać o czystość narzędzia i przewodu zasilającego (a szczególnie otworów wentylacyjnych C ②)
 - ! przed przystąpieniem do czyszczenia należy wyjąć wtyczkę z gniazda sieciowego
- Jeśli narzędzie, mimo dokładnej i wszechstronnej kontroli produkcyjnej ulegnie kiedykolwiek awarii, naprawę powinien przeprowadzić autoryzowany serwis elektronarzędzi firmy SKIL
 - odesłać nierozebrany narzędnik, wraz z dowodem zakupu, do dealera lub do najbliższego punktu usługowego SKIL (adresy oraz diagram serwisowy narzędzenia znajdują się na stronach www.skil.com)

ŚRODOWISKO

- **Nie wyrzucaj elektronarzędzi, akcesoriów i opakowania wraz z odpadami z gospodarstwa domowego** (dotyczy tylko państw UE)
 - zgodnie z Europejską Dyrektywą 2012/19/WE w sprawie zużytego sprzętu elektrotechnicznego i elektronicznego oraz dostosowaniem jej do prawa krajowego, zużyte elektronarzędzia należy posegregować i zutylizować w sposób przyjazny dla środowiska
 - w przypadku potrzeby pozbycia się narzędzia, akcesoriów i opakowania - symbol  przypomni Ci o tym

DEKLARACJA ZGODNOŚCI CE

Wyrzynarka 4285

Dane techniczne ^①

- Oświadczamy z pełną odpowiedzialnością, że produkt, przedstawiony w "Dane techniczne", odpowiada wymaganiom następujących norm i dokumentów normatywnych: EN 60745, EN 61000, EN 55014, zgodnie z wymaganiami dyrektyw 2014/30/UE, 2006/42/EU, 2011/65/UE
- **Dokumentacja techniczna:** SKIL Europe BV (PT-SEU/ENG1), 4825 BD Breda, NL

Marijn van der Hoofden
Operations & Engineering

Olaf Dijkgraaf
Approval Manager

SKIL Europe BV, 4825 BD Breda, NL

02.02.2015

HAŁASU/WIBRACJE

- Pomiarów dokonano zgodnie z normą EN 60745 ciśnienie akustyczne narzędzia wynosi 84 dB(A) zaś poziom mocy akustycznej 95 dB(A) (poziom odchylenie: 3 dB), zaś wibracje * m/s² (suma wektorowa z trzech kierunków; błąd pomiaru K = 1,5 m/s²)
 - * podczas cięcia drewna 11,9 m/s²
 - * podczas cięcia metalu 12,4 m/s²
 - Poziom emisji wibracji został zmierzony zgodnie z testem standaryzowanym podanym w EN 60745; może służyć do porównania jednego narzędzia z innym i jako ocena wstępna narażenia na wibracje w trakcie używania narzędzia do wymienionych zadań
 - używanie narzędzia do innych zadań, lub z innymi albo źle utrzymanymi akcesoriami, może znacząco **zwiększyć** poziom narażenia
 - przypadki, kiedy narzędzie jest wyłączone lub jest czynne, ale aktualnie nie wykonuje zadania, mogą znacząco **zmniejszyć** poziom narażenia
- ! należy chronić się przed skutkami wibracji przez konserwację narzędzia i jego akcesoriów, zakładanie rękawic i właściwą organizację pracy**

UA

Електричний лобзик

4285

ВСТУП

- Цей інструмент призначений для вирізання отворів та виконання пропилів у деревині, пластмасі, металі; може використовуватись для вирізання по прямій та під кутом 45°
- Цей інструмент не придатний для промислового використання
- Прочитайте і збережіть цю Інструкцію з експлуатації ^③

ТЕХНІЧНІ ДАНІ ^①

ЕЛЕМЕНТИ ІНСТРУМЕНТА ^②

- A Вимикач живлення
- B Кнопка блокування вимикача
- C Вентиляційні отвори
- D Контейнер для збереження шестигранного ключа

БЕЗПЕКА

ЗАГАЛЬНІ ВКАЗІВКИ З ТЕХНІКИ БЕЗПЕКИ

⚠ УВАГА! Прочитайте всі попередження і вказівки. Недодержання попереджень і вказівок може призводити до удару електричним струмом, пожежі та/або серйозних травм. **Добре зберігайте на майбутнє ці попередження і вказівки.** Під поняттям "електроприлад" в цих попередженнях мається на увазі електроприлад, що працює від мережі (з електрокабелем) або від акумуляторної батареї (без електрокабелю).

1) БЕЗПЕКА НА РОБОЧОМУ МІСЦІ

- a) **Примайте своє робоче місце в чистоті та прибирайте його.** Безлад або погане освітлення на робочому місці можуть призводити до нещасних випадків.
- b) **Не працюйте з приладом у середовищі, де існує небезпека вибуху внаслідок присутності горючих рідин, газів або пилу.** Електроприлади можуть породжувати іскри, від яких може займатися пил або пари.
- c) **Під час працювання з приладом не підпускайте до робочого місця дітей та інших людей.** Ви можете втратити контроль над приладом, якщо Ваша увага буде відвернута.

2) ЕЛЕКТРИЧНА БЕЗПЕКА

- a) **Штепсель приладу повинен пасувати до розетки. Не дозволяється що-небудь міняти в штепселі. Для роботи з приладами, що мають захисне заземлення, не використовуйте адаптери.** Використання оригінального штепселя та належної розетки зменшує ризик удару електричним струмом.
- b) **Уникайте контакту частей тіла із заземленими поверхнями, як напр., трубами, батареями опалення, печами та холодильниками.** Ноги Ваше

тіло заземлене, існує збільшена небезпека удару електричним струмом.

- c) **Захищайте прилад від дощу та вологи.** Попадання води в електроінструмент збільшує ризик удару електричним струмом.
- d) **Не використовуйте кабель для перенесення приладу, підвішування або витягування штепселя з розетки. Захищайте кабель від жару, олії, гострих країв та деталей приладу, що рухаються.** Пошкоджений або закручений кабель збільшує ризик удару електричним струмом.
- e) **Для зовнішніх робіт обов'язково використовуйте лише такий подовжувач, що допущений для зовнішніх робіт.** Використання подовжувача, що розрахований на зовнішні роботи, зменшує ризик удару електричним струмом.
- f) **Якщо не можна запобігти використанню електроприладу у вологому середовищі, використовуйте пристрій захисту від витоків в землю.** Використання зрестрою захисту від витоків в землю зменшує ризик удару електричним струмом.

3) БЕЗПЕКА ЛЮДЕЙ

- a) **Будьте уважними, слідкуйте за тим, що Ви робите, та розсудливо поведіться під час роботи з електроприладом. Не користуйтеся приладом, якщо Ви стомлені або знаходитесь під дією наркотиків, спиртних напоїв або лік.** Мить неуважності при користуванні приладом може призводити до серйозних травм.
- b) **Вдягайте особисте захисне спорядження та обов'язково вдягайте захисні окуляри.** Вдягання особистого захисного спорядження, як напр., - в залежності від виду робіт - захисної маски, спецвзуття, що не новзається, каски або навушників, зменшує ризик травм.
- c) **Уникайте ненавмисного вмикання. Перш ніж вмикати електроприлад в електромережу або встромляти акумуляторну батарею, брати його в руки або переносити, впевніться в тому, що електроприлад вимкнений.** Тримання пальця на вимикачі під час перенесення електроприладу або встромляння в розетку увімкненого приладу може призводити до травм.
- d) **Перед тим, як вмикати прилад, приборіть налагоджувальні інструменти та гайковий ключ.** Знаходження налагоджувального інструмента або ключа в деталі, що обертається, може призводити до травм.
- e) **Не переоцінюйте себе. Зберігайте стійке положення та завжди зберігайте рівновагу.** Це дозволить Вам краще зберігати контроль над приладом у несподіваних ситуаціях.
- f) **Вдягайте придатний одяг. Не вдягайте просторий одяг та прикраси. Не підставляйте волосся, одяг та рукавиці близько до деталей приладу, що рухаються.** Просторий одяга, прикраси та довге волосся можуть попадати в деталі, що рухаються.
- g) **Якщо існує можливість монтувати пиловідсмоктувальні або пилоуловлювальні пристрої, переконайтеся, щоб вони були добре під'єднані та правильно використовувалися.**

Використання пиловідсмоктувального пристрою може зменшити небезпеки, зумовлені пилом.

4) ПРАВИЛЬНЕ ПОВОДЖЕННЯ ТА КОРИСТУВАННЯ ЕЛЕКТРОПРИЛАДАМИ

- a) **Не перевантажуйте прилад. Використовуйте такий прилад, що спеціально призначений для певної роботи.** З придатним приладом Ви з меншим ризиком отримаєте кращі результати роботи, якщо будете працювати в зазначеному діапазоні потужності.
 - b) **Не користуйтеся приладом з пошкодженим вимикачем.** Прилад, який не можна увімкнути або вимкнути, є небезпечним і його треба відремонтувати.
 - c) **Перед тим, як регулювати що-небудь на приладі, міняйте приладдя або ховати прилад, витягніть штепсель із розетки та/або витягніть акумуляторну батарею.** Ці попереджувальні заходи з техніки безпеки зменшують ризик ненавмисного запуску приладу.
 - d) **Зберігайте електроприлади, якими Ви саме не користуєтесь, далено від дітей. Не дозволяйте користуватися електроприладом особам, що не знайомі з його роботою або не читали ці вказівки.** У разі застосування недосвідченими особами прилади несуть в собі небезпеку.
 - e) **Старанно доглядайте за приладом. Перевірте, щоб рухомі деталі приладу бездоганно працювали та не заїдали, не були поламаними або настільки пошкодженими, щоб це могло вплинути на функціонування приладу.** Пошкоджені деталі треба відремонтувати в авторизованій майстерні, перш ніж ними можна знову користуватися. Велика кількість нещасних випадків спричиняється поганим доглядом за електроприладами.
 - f) **Тримайте різальні інструменти добре нагостреними та в чистоті.** Старанно доглянуті різальні інструменти з гострим різальним краєм менше застряють та їх легше вести.
 - g) **Використовуйте електроприлади, приладдя до них, робочі інструменти т.і. відповідно до цих вказівок. Беріть до уваги при цьому умови роботи та специфіку виконуваної роботи.** Використання електроприладів для робіт, для яких вони не передбачені, може призводити до небезпечних ситуацій.
- ### 5) СЕРВІС
- a) **Віддавайте свій прилад на ремонт лише кваліфікованим фахівцям та лише з використанням оригінальних запчастин.** Це забезпечить безпечність приладу на довгий час.

ВКАЗІВКИ ПО БЕЗПЕЦІ ДЛЯ ЕЛЕКТРИЧНИХ ЛОБЗИКІВ

ЕЛЕКТРИЧНА БЕЗПЕКА

- Перед роботою перевірте відповідність струму в мережі із струмом, позначені на інструменті
- Ніколи не використовуйте інструмент з пошкодженим шнуром; його повинен замінити кваліфікований фахівець
- Якщо шнур пошкоджений або прорізаний при роботі, не доторкайтеся до нього і негайно витягніть його з розетки

- Використовуйте повністю розгорнений шнур подовжувача, який може витримувати навантаження в 16 Ампер

БЕЗПЕКА ЛЮДЕЙ

- **Не обробляйте матеріали, що містять асбест** (асбест вважається канцерогенним)
- Цей інструмент не можна використовувати особам віком до 16 років
- Рівень шуму при роботі може перевищувати 85 дБ(а); використовуйте навушки
- Під час роботи з крихкими та розсипчастими матеріалами обов'язково одягайте захисні окуляри
- Пил від таких матеріалів, як свинцовоутримуюча фарба, деякі породи дерева, мінерали й метал, може бути шкідливим (контакт із таким пилом або його вдихання може стати причиною виникнення в оператора або осіб, що перебувають поруч, алергійних реакцій і/або респіраторних захворювань); **надягайте респіратор і працюйте з пиловидальним пристроєм під час увімкнення інструмента**
- Деякі види пилу класифікуються як канцерогенні (наприклад, дубовий або буковий пил), особливо в сполученні з добавками для кондиціонування деревини; **надягайте респіратор і працюйте з пиловидальним пристроєм під час увімкнення інструмента**
- Слідуйте інструкціям по роботі з матеріалами, що продуцуючими пил
- **Перед регулюванням або заміною приладдя обов'язково вийміть вилку із сітьової розетки**

ПЕРЕД ВИКОРИСТАННЯМ

- Переверіть працездатність інструменту перед кожним його використанням та, у випадку виявлення несправності, віднесіть його до кваліфікованого спеціаліста; ні, в якому разі не відкривайте інструмент самотужки
- Перш ніж почати розпилювання, видаліть всі перешкоди на поверхні та під лінією розпилу
- Не допускайте пошкоджень, які можуть нанести шурупи, цвяхи і інші елементи вашому виробу; видаліть їх перед початком роботи
- **Зафіксуйте оброблювану деталь** (оброблювана деталь, зафіксована за допомогою затискових пристроїв або лещат, закріплюється краще, ніж вручну)

ПІД ЧАС ВИКОРИСТАННЯ

- **При роботах, коли робочий інструмент може зачепити заховану електропроводку або власний шнур живлення, тримайте електроінструмент за ізольовані рукоятки** (зачеплення проводки, що знаходиться під напругою, може заряджувати також і металеві частини електроінструмента та призводити до удару електричним струмом)
- Не дозволяйте шнуру живлення стикатися з рухомими частинами інструменту; завжди викладайте шнур за задньою частиною інструменту
- У разі електричної або механічної несправності, негайно відключіть інструмент і вимкніть з розетки
- Тримайте руки подалі від пилки коли інструмент працює

АНЕСУАРИ

- SKIL гарантує надійну роботу інструмента тільки при використанні відповідного приладдя
- Не використовуйте тупі, деформовані та поламани пилки

ВИКОРИСТАННЯ ПОЗА ПРИМІЩЕННЯМ

- При роботі на дворі підключайте інструмент через запобіжник короткого замикання (FI) із максимальним пусковим струмом 30 мА та використовуйте подовжувач, призначений для зовнішніх робіт, що обладнаний захистом від бризів

ПІСЛЯ ВИКОРИСТАННЯ

- Коли ви закінчили роботу з інструментом, вимкніть мотор і переконайтеся, що всі рухомі частини повністю зупинилися

ВИКОРИСТАННЯ

- Вмикання/вимкнення ④
- Блокування вимикача для тривалої роботи ⑤
- Заміна пилки ⑥
- ! **устроїть пилку на повну глибину зубцями направленими уперед** ⑦
- Розпилювання під кутом 15°/30°/45° ⑧
- Пиловловлювання ⑨ а
- ! **не використовуйте пилосос при різанні металу**
- Викид пилу ⑨ b
- Використання інструменту
 - перед умиканням інструменту переконайтесь в тому, що передня частина опори щільно стикається з оброблюваною поверхнею
 - тримайте інструмент двома руками, таким чином ви будете мати повний контроль над інструментом весь час
 - ! **під час роботи, завжди тримайте інструмент за частини захвату сірого кольору** ⑩
 - переконайтесь, що вся поверхня опори надійно спирається на робочу поверхню
 - ! **перед видаленням інструменту з оброблюваної поверхні переконайтесь, що пилка остаточно зупинилась**
 - тримайте вентиляційні отвори С ⑫ незакритими

ПОРАДИ ПО ВИКОРИСТАННЮ

- Використовуйте відповідні пилки ⑪
- ! **для інструмента підходять більшість лез T-shank та U-shank** ⑫
- Під час різки металів регулярно змащуйте пилку маслом
- Для прямого пропилю ведіть інструмент уздовж краю прямого дерев'яного відрізу ⑬
- Перед вирізанням наскрізних отворів попередньо просвердліть отвір дрилем ⑭
- Пропил без трісок
 - наклейте декілька шарів широкої стрічки на лінію розрізу
 - завжди ріжте по протилежному (тильному) боці матеріалу
- Див додаткову інформацію на www.skil.com

ДОГЛЯД/ОБСЛУГОВУВАННЯ

- Цей інструмент не придатний для промислового використання
- Завжди тримайте інструмент та його шнур в чистоті (особливо вентиляційні отвори С ②)
! перед чистою інструменту необхідно роз'єднати штепсельний роз'єм
- Якщо незважаючи на ретельну технологію виготовлення і перевірки інструмент все-таки вийде з ладу, його ремонт дозволяється виконувати лише в авторизованій сервісній майстерні для електроприладів SKIL
 - надішліть **нерозібраний** інструмент разом з доказом купівлі до Вашого дилера або до найближчого центру обслуговування SKIL (адреси, а також діаграма обслуговування пристрою, подаються на сайті www.skil.com)

ОХОРОНА НАВКОЛИШНЬОЇ СЕРЕДИ

- **Не викидайте електроінструмент, належності та упаковку разом зі звичайним сміттям** (тільки для країн ЄС)
 - відповідно до європейської директиви 2012/19/ЄС щодо утилізації старих електричних та електронних приладів, в залежності з місцевим законодавством, електроінструмент, який перебував в експлуатації повинен бути утилізований окремо, безпечним для навколишнього середовища шляхом
 - малюнок 15 нагадує вам про це

ДЕКЛАРАЦІЯ ПРО ВІДПОВІДНІСТЬ СТАНДАРТАМ СЕ

Електричний лобзик 4285

Технічні дані ①

- Ми заявляємо під нашу виключну відповідальність, що описаний в "Технічні дані" продукт відповідає таким нормам або нормативним документам: EN 60745, EN 61000, EN 55014 у відповідності до положень директив 2014/30/ЄС, 2006/42/ЄГ, 2011/65/ЄС
- **Технічні документи в:** SKIL Europe BV (PT-SEU/ENG1), 4825 BD Breda, NL

Marijn van der Hoofden
Operations & Engineering

Olaf Dijkgraaf
Approval Manager

SKIL Europe BV, 4825 BD Breda, NL

02.02.2015

ШУМ/ВІБРАЦІЯ

- Зміряний відповідно до EN 60745 рівень тиску звуку даного інструменту 84 дБ(А) і потужність звуку 95 дБ(А) (стандартне відхилення: 3 дБ), і вібрація * м/с² (векторна сума трьох напрямків; похибка K = 1,5 м/с²)
 - * при різанні деревини 11,9 м/с²
 - * при різанні металу 12,4 м/с²

- Рівень вібрації було виміряно у відповідності зі стандартизованим випробуванням, що міститься в EN 60745; дана характеристика може використовуватися для порівняння одного інструмента з іншим, а також для попередньої оцінки впливу вібрації під час застосування даного інструмента для вказаних цілей
 - при використанні інструмента в інших цілях або з іншими/несправними допоміжними пристосуваннями рівень впливу вібрації може значно **підвищуватися**
 - у періоди, коли інструмент вимикнений або функціонує без фактичного виконання роботи, рівень впливу вібрації може значно **знижуватися**
- ! захищайте себе від впливу вібрації, підтримуючи інструмент і його допоміжні пристосування в справному стані, підтримуючи руки в теплі, а також правильно організовуючи свій робочий процес**

GR

Σέγα

4285

ΕΙΣΑΓΩΓΗ

- Αυτό το εργαλείο έχει σχεδιαστεί για τη δημιουργία εγκοπών και οπών σε ξύλο, πλαστικά, μέταλλα, και είναι κατάλληλο για ευθείες και κυρτές κοπές σε γωνίες μέχρι 45°
- Αυτό το εργαλείο δεν προορίζεται για επαγγελματική χρήση
- Διαβάστε και φυλάξτε αυτές τις οδηγίες χρήσεως ③

ΤΕΧΝΙΚΑ ΧΑΡΑΚΤΗΡΙΣΤΙΚΑ ①

ΜΕΡΗ ΤΟΥ ΕΡΓΑΛΕΙΟΥ ②

- A Διακόπτης εκκίνησης/στάσης
- B Κομπί ασφάλισης του διακόπτη
- C Σχησμές αερισμού
- D Θέση αποθήκευσης του εξάγωνου κλειδιού

ΑΣΦΑΛΕΙΑ

ΓΕΝΙΚΕΣ ΥΠΟΔΕΙΞΕΙΣ ΑΣΦΑΛΕΙΑΣ

ΠΡΟΕΙΔΟΠΟΙΗΣΗ! Διαβάστε όλες τις προειδοποιητικές υποδείξεις. Αμέλειες κατά την τήρηση των προειδοποιητικών υποδείξεων μπορεί να προκαλέσουν ηλεκτροπληξία, κίνδυνο πυρκαγιάς ή/και σοβαρούς τραυματισμούς. **Φυλάξτε όλες τις προειδοποιητικές υποδείξεις και οδηγίες για κάθε μελλοντική χρήση.** Ο ορισμός "ηλεκτρικό εργαλείο" που χρησιμοποιείται στις προειδοποιητικές υποδείξεις αναφέρεται σε ηλεκτρικά εργαλεία που τροφοδοτούνται από το ηλεκτρικό δίκτυο (με ηλεκτρικό καλώδιο) καθώς και σε ηλεκτρικά εργαλεία που τροφοδοτούνται από μπαταρία (χωρίς ηλεκτρικό καλώδιο).

1) ΑΣΦΑΛΕΙΑ ΣΤΟ ΧΩΡΟ ΕΡΓΑΣΙΑΣ

- a) **Διατηρείτε το χώρο που εργάζεσθε καθαρό και καλά φωτισμένο.** Αταξία στο χώρο που εργάζεσθε ή μη φωτισμένες περιοχές εργασίας μπορεί να οδηγήσουν σε ατυχήματα.
- b) **Μην εργάζεσθε με το ηλεκτρικό εργαλείο σε περιβάλλον που υπάρχει κίνδυνος έκρηξης, στο οποίο υπάρχουν εύφλεκτα υγρά, αέρια ή σκόνη.** Τα ηλεκτρικά εργαλεία μπορεί να δημιουργήσουν σπινθηρισμό ο οποίος μπορεί να αναφλέξει τη σκόνη ή τις αναθυμιάσεις.
- c) **Όταν χρησιμοποιείτε το ηλεκτρικό εργαλείο κρατάτε τα παιδιά κι άλλα τυχόν πρόσωπα μακριά από το χώρο που εργάζεσθε.** Σε περίπτωση που άλλα άτομα αποσπάσουν την προσοχή σας μπορεί να χάσετε τον έλεγχο του μηχανήματος.
- ### 2) ΗΛΕΚΤΡΙΚΗ ΑΣΦΑΛΕΙΑ
- a) **Το φως του καλωδίου του ηλεκτρικού εργαλείου πρέπει να ταιριάζει στην αντίστοιχη πρίζα. Δεν επιτρέπεται με κανένα τρόπο η μετασκευή του φως.** Μη χρησιμοποιείτε προσαρμοστικά φως σε συνδυασμό με ηλεκτρικά εργαλεία συνδεδεμένα με τη γη (γειωμένα). Αθικτα φως και κατάλληλες πρίζες μειώνουν τον κίνδυνο ηλεκτροπληξίας.
- b) **Αποφεύγετε την επαφή του σώματος σας με γειωμένες επιφάνειες όπως σωλήνες, θερμαντικά σώματα (καλοριφέρ), κουζίνες και ψυγεία.** Όταν το σώμα σας είναι γειωμένο αυξάνεται ο κίνδυνος ηλεκτροπληξίας.
- c) **Μην εκθέτετε το ηλεκτρικό εργαλείο στη βροχή ή την υγρασία.** Η διείσδυση νερού στο ηλεκτρικό εργαλείο αυξάνει τον κίνδυνο ηλεκτροπληξίας.
- d) **Μη χρησιμοποιείτε το καλώδιο για να μεταφέρετε ή ν'αναρτήσετε το ηλεκτρικό εργαλείο ή για να βγάλετε το φως από την πρίζα. Κρατάτε το καλώδιο μακριά από υψηλές θερμοκρασίες, λάδια, κοφτερές ακμές ή κινούμενα εξαρτήματα.** Τυχόν χαλασμένα ή μπερδεμένα καλώδια αυξάνουν τον κίνδυνο ηλεκτροπληξίας.
- e) **Όταν εργάζεσθε με το ηλεκτρικό εργαλείο στο ύπαιθρο χρησιμοποιείτε πάντοτε καλώδια επιμήκυνσης (μπαλαντάζες) που έχουν εγκριθεί για χρήση σε εξωτερικούς χώρους.** Η χρήση καλωδίων επιμήκυνσης εγκριμένων για εργασία σε εξωτερικούς χώρους μειώνει τον κίνδυνο ηλεκτροπληξίας.
- f) **Όταν η χρήση του ηλεκτρικού εργαλείου σε υγρό περιβάλλον είναι αναπόφευκτη, τότε χρησιμοποιήστε έναν προστατευτικό διακόπτη διαρροής.** Η χρήση ενός προστατευτικού διακόπτη διαρροής ελαττώνει τον κίνδυνο ηλεκτροπληξίας.
- ### 3) ΑΣΦΑΛΕΙΑ ΠΡΟΣΩΠΩΝ
- a) **Να είστε πάντοτε προσεκτικός/προσεκτική, να δίνετε προσοχή στην εργασία που κάνετε και να χειριζόσθε το ηλεκτρικό εργαλείο με περισκεψη. Μην κάνετε χρήση του ηλεκτρικού εργαλείου όταν είστε κουρασμένος/κουρασμένη ή όταν βρίσκεσθε υπό την επιρροή ναρκωτικών, οιοπνεύματος ή φαρμάκων.** Μια στιγμήαια απροσεξία κατά το χειρισμό του ηλεκτρικού εργαλείου μπορεί να οδηγήσει σε σοβαρούς τραυματισμούς.

- b) **Φοράτε προστατευτικά ενδύματα και πάντοτε προστατευτικά γυαλιά.** Όταν φοράτε ενδύματα ασφαλείας, ανάλογα με το υπό χρήση ηλεκτρικό εργαλείο, όπως προσωπίδα προστασίας από σκόνη, αντιολισθηκά παπούτσια ασφαλείας, κράνη ή ωτασπίδες, μειώνεται ο κίνδυνος τραυματισμών.
- c) **Αποφεύγετε την αθέλητη εκκίνηση. Βεβαιωθείτε ότι το ηλεκτρικό εργαλείο έχει αποευχτεί πριν το συνδέσετε με το ηλεκτρικό δίκτυο ή/και με την μπαταρία καθώς και πριν το παραλάβετε ή το μεταφέρετε.** Όταν μεταφέρετε το ηλεκτρικό εργαλείο έχοντας το δάχτυλό σας στο διακόπτη ή όταν συνδέσετε το μηχάνημα με την πηγή ρεύματος όταν αυτό είναι ακόμη συζευγμένο, τότε δημιουργείται κίνδυνος τραυματισμών.
- d) **Αφαιρείτε από τα ηλεκτρικά εργαλεία πριν τα θέσετε σε λειτουργία τυχόν συναρμολογημένα χρησιμοποιήσιμα εργαλεία ή κλειδιά.** Ενα εργαλείο ή κλειδί συναρμολογημένο στο περιστρεφόμενο εξάρτημα ενός ηλεκτρικού εργαλείου μπορεί να οδηγήσει σε τραυματισμούς.
- e) **Μην υπερκινείτε τον εαυτό σας. Φροντίζετε για την ασφαλή στήριξη του σώματος σας και διατηρείτε πάντοτε την ισορροπία σας.** Αυτό σας επιτρέπει τον καλύτερο έλεγχο το ηλεκτρικού εργαλείου σε περιπτώσεις απροσδόκητων καταστάσεων.
- f) **Φοράτε κατάλληλη ενδυμασία εργασίας. Μη φοράτε φαρδιά ενδύματα ή κοσμήματα. Κρατάτε τα μαλλιά σας, τα ενδύματα σας και τα γάντια σας μακριά από τα κινούμενα εξαρτήματα.** Χαλαρή ενδυμασία, κοσμήματα και μακριά μαλλιά μπορεί να εμπλακούν στα κινούμενα εξαρτήματα.
- g) **Αν υπάρχει η δυνατότητα συναρμολόγησης διατέξων αναρρόφησης ή συλλογής σκόνης, βεβαιωθείτε αν οι διατάξεις αυτές είναι συνδεδεμένες καθώς κι αν χρησιμοποιούνται σωστά.** Η χρήση μιας αναρρόφησης σκόνης μπορεί να ελαττώσει τον κίνδυνο που προκαλείται από τη σκόνη.
- ### 4) ΧΡΗΣΗ ΚΙ ΕΠΙΜΕΛΗΣ ΧΕΙΡΙΣΜΟΣ ΤΩΝ ΗΛΕΚΤΡΙΚΩΝ ΕΡΓΑΛΕΙΩΝ
- a) **Μην υπερφορτώνετε το ηλεκτρικό εργαλείο. Χρησιμοποιήστε για την εκάστοτε εργασία σας το ηλεκτρικό εργαλείο που προορίζεται γι' αυτήν.** Με το κατάλληλο ηλεκτρικό εργαλείο εργάζεσθε καλύτερα και ασφαλέστερα στην αναφερόμενη περιοχή ισχύος.
- b) **Μη χρησιμοποιήσετε ποτέ ένα ηλεκτρικό εργαλείο του οποίου ο διακόπτης ON/OFF είναι χαλασμένος.** Ενα ηλεκτρικό εργαλείο το οποίο δεν μπορεί να θεθεί πλέον σε ή εκτός λειτουργίας είναι επικίνδυνο και πρέπει να επισκευαστεί.
- c) **Βγάξτε το φως από την πρίζα και/ή αφαιρέστε την μπαταρία πριν διεξάγετε στο εργαλείο μια οποιαδήποτε εργασία ρύθμισης, πριν αλλάξετε ένα εξάρτημα ή όταν πρόκειται να διαφυλάξετε/να αποθηκεύσετε το εργαλείο.** Αυτά τα προληπτικά μέτρα ασφαλείας μειώνουν τον κίνδυνο από τυχόν αθέλητη εκκίνηση του ηλεκτρικού εργαλείου.
- d) **Διαφυλάγετε τα ηλεκτρικά εργαλεία που δε χρησιμοποιείτε μακριά από παιδιά. Μην αφήνετε άτομα που δεν είναι εξοικειωμένα με το ηλεκτρικό εργαλείο ή δεν έχουν διαβάσει αυτές**

τις οδηγίες χρήσης να το χρησιμοποιήσουν. Τα ηλεκτρικά εργαλεία είναι επικίνδυνα όταν χρησιμοποιούνται από άπειρα πρόσωπα.

e) **Να περιποήστε προσεκτικά το ηλεκτρικό σας εργαλείο και να ελέγχετε, αν τα κινούμενα τμήματα του λειτουργούν άψογα και δεν μπλοκάρουν, ή μήπως έχουν χαλάσει ή σπάσει εξαρτήματα, τα οποία επηρεάζουν έτσι αρνητικά τον τρόπο λειτουργίας του ηλεκτρικού εργαλείου. Δώστε τυχόν χαλασμένα εξαρτήματα του ηλεκτρικού εργαλείου για επισκευή πριν το χρησιμοποιήσετε πάλι.** Η ανεπαρκής συντήρηση των ηλεκτρικών εργαλείων αποτελεί αιτία πολλών ατυχημάτων.

f) **Διατηρείτε τα κοπτικά εργαλεία κοφτερά και καθαρά.** Τα κοπτικά εργαλεία που συντηρούνται με προσοχή μπορούν να οδηγηθούν εύκολα και να ελεγχθούν καλύτερα.

g) **Χρησιμοποιείτε τα ηλεκτρικά εργαλεία, τα εξαρτήματα, τα χρησιμοποιήσιμα εργαλεία κτλ. σύμφωνα με τις παρούσες οδηγίες καθώς. Λαμβάνετε ταυτόχρονα υπόψη σας τις συνθήκες εργασίας και την υπό εκτέλεση εργασία.** Η χρήση του ηλεκτρικού εργαλείου για άλλες εκτός από τις προβλεπόμενες εργασίες μπορεί να δημιουργήσει επικίνδυνες καταστάσεις.

5) SERVICE

a) **Δίνετε το ηλεκτρικό σας εργαλείο για επισκευή από άριστα ειδικευμένο προσωπικό, μόνο με γνήσια ανταλλακτικά.** Ετσι εξασφαλίζεται η διατήρηση της ασφάλειας του ηλεκτρικού εργαλείου.

ΥΠΟΔΕΙΞΙΣ ΑΣΦΑΛΕΙΑΣ ΓΙΑ ΣΕΓΑ

ΗΛΕΚΤΡΙΚΗ ΑΣΦΑΛΕΙΑ

- Βεβαιωθείτε ότι η τάση του παρεχόμενου ρεύματος είναι ίδια με την τάση που υποδεικνύεται στην πινακίδα δεδομένων του εργαλείου
- Ποτέ μη χρησιμοποιείτε το εργαλείο όταν έχει υποστεί βλάβη το καλώδιο - το καλώδιο θα πρέπει να αντικατασταθεί από έναν εξειδικευμένο τεχνίτη
- Σε περίπτωση που υποστεί βλάβη ή κοπεί το καλώδιο κατά την εργασία, μην αγγίζετε το καλώδιο, αλλά αποσυνδέστε αμέσως το φως από την πρίζα
- Χρησιμοποιείτε ασφαλείς, τελειώς ξετυλιγμένες προεκτάσεις καλωδίου με χωρητικότητα 16 Αμπρ

ΑΣΦΑΛΕΙΑ ΠΡΟΣΩΠΩΝ

- **Μην καταργάσετε υλικά που περιέχουν αμιάντο** (το αμιάντο θεωρείται σαν καρκινογόνο υλικό)
- Αυτό το εργαλείο δεν πρέπει να χρησιμοποιείται από άτομα κάτω των 16 ετών
- Η ηχητική στάθμη κατά την εργασία ενδέχεται να ξεπεράσει τα 85 dB(A) - γι' αυτό θα πρέπει να φοράτε προστασία ακοής
- Φοράτε προστατευτικά γυαλιά όταν εργάζεστε με υλικά που παράγουν γρέζα
- Η σκόνη από υλικά όπως μπιγιές που περιέχουν μόλυβδο, ορισμένα είδη ξύλου, ανόργανα στοιχεία και μέταλλα μπορεί να είναι επιβλαβής (η επαφή ή η εισπνοή της σκόνης μπορεί να προκαλέσει αλλεργικές αντιδράσεις ή/και αναπνευστικές ασθένειες στον χειριστή ή σε άτομα που παρίστανται) - **να φοράτε προσωπίδα προστασίας από τη σκόνη και να**

εργάζεστε με συσκευή αφαίρεσης σκόνης όταν είναι δυνατό

- Ορισμένα είδη σκόνης ταξινομούνται ως καρκινογόνα (όπως η σκόνη από τη δρυ ή την οξιά) ιδιαίτερα σε συνδυασμό με πρόσθετα συντήρησης ξύλου - **να φοράτε προσωπίδα προστασίας από τη σκόνη και να εργάζεστε με συσκευή αφαίρεσης σκόνης όταν είναι δυνατό**
 - Ακολουθήστε τις σχετικές με σκόνη εθνικές διατάξεις για τα υλικά που θέλετε να εργαστείτε
 - **Πάντα να αποσυνδέετε την πρίζα από το ηλεκτρικό δίκτυο πριν κάνετε κάποια ρύθμιση ή αλλάξετε εξάρτημα**
- ### ΠΡΙΝ ΑΠΟ ΤΗ ΧΡΗΣΗ
- Ελέγξτε τη λειτουργία του εργαλείου πριν από κάθε χρήση, και σε περίπτωση βλάβης, πάτε το για επισκευή σε κάποιο εξειδικευμένο άτομο - ποτέ μην ανοίγετε μόνοι σας το εργαλείο
 - Αφαιρέστε όλα τα εμπόδια από την γραμμή κοπής, πάνω και κάτω, πριν ξεκινήσετε την κοπή
 - Προφυλάξτε το εργαλείο από τυχόν φθορές από ξένα σώματα (βίδες, καρφιά ή άλλα) που ίσως είναι μέσα στο κομμάτι που θα δουλέψετε - αφαιρέστε τα πριν αρχίσετε την εργασία
 - **Στερώστε το κομμάτι εργασίας** (το κομμάτι εργασίας συγκρατείται καλύτερα με σφιγκτήρες ή σε μέγνη παρά με το χέρι)

ΚΑΤΑ ΤΗ ΧΡΗΣΗ

- **Να κρατάτε το ηλεκτρικό εργαλείο από τις μονωμένες επιφάνειες συγκράτησης όταν υπάρχει κίνδυνος το κοπτικό εξάρτημα να έρθει σε επαφή με μη ορατούς ηλεκτροφόρους αγωγούς ή το ίδιο το καλώδιό του** (η επαφή με έναν ηλεκτροφόρο αγωγό μπορεί να θέσει τα μεταλλικά μέρη του ηλεκτρικού εργαλείου επίσης υπό τάση και προκαλέσει έτσι ηλεκτροπληξία)
 - Να κρατάτε πάντα το καλώδιο μακριά από τα κινούμενα μέρη του εργαλείου σας - κρατάτε το καλώδιο προς τα πίσω, μακριά από το εργαλείο
 - Σε περίπτωση ηλεκτρικής ή μηχανικής δυσλειτουργίας, σταματήστε αμέσως το εργαλείο και βγάλτε το από την πρίζα
 - Κρατήστε τα χέρια μακριά από τον δίσκο κοπής κατά τη λειτουργία του
- ### ΕΞΑΡΤΗΜΑΤΑ
- Η SKIL εγγυάται την τέλεια λειτουργία του εργαλείου μόνο όταν χρησιμοποιούνται αυθεντικά εξαρτήματα
 - Μη χρησιμοποιείτε ραγιωμένες, παραμορφωμένες ή στομωμένες πρινολεπίδες

ΥΠΑΙΘΡΙΑ ΧΡΗΣΗ

- Όταν χρησιμοποιείτε το εργαλείο στο ύπαιθρο, συνδέστε το χρησιμοποιώντας έναν διακόπτη ασφαλείας με μέγιστο όριο ενεργοποίησης 30 mA, και χρησιμοποιείτε μόνο καλώδιο προέκτασης ειδικό για υπαίθρια χρήση και εξοπλισμένο με αδιαβροχή πρίζα σύνδεσης

ΜΕΤΑ ΤΗ ΧΡΗΣΗ

- Όταν τελειώνετε την δουλειά σας και ακουμπάτε το εργαλείο στο πλάι, κλείστε τον διακόπτη και βεβαιωθείτε ότι όλα τα κινούμενα μέρη του έχουν σταματήσει εντελώς

ΧΡΗΣΗ

- Εκκίνηση/Σταση ④
- Ασφάλιση του διακόπτη για συνεχή λειτουργία ⑤
- Αλλαγή προιονολεπίδων ⑥
 - ! τοποθετήστε την λεπίδα μέσα με τους οδόντες προς τα εμπρός ⑦
- Κοπή σε 15°/30°/45° ⑧
- Απορρόφηση σκόνης ⑨a
 - ! μη χρησιμοποιείτε την ηλεκτρική σκούπα όταν κόβετε μέταλλα
- Φυσητήρας σκόνης ⑨b
- Χειρισμός του εργαλείου
 - πριν ενεργοποιήσετε το εργαλείο, βεβαιωθείτε ότι το μπροστινό άκρο της πλάκας βάσης ακουμπά επίπεδα στο κατεργαζόμενο αντικείμενο
 - κρατάτε καλά το εργαλείο, με τα δύο χέρια, ούτως ώστε να έχετε ανά πάσα στιγμή τον πλήρη έλεγχο του εργαλείου
 - ! ενώ εργάζεστε, να κρατάτε πάντα το εργαλείο από τη/τις λαβή/ές με γκρι χρώμα ⑩
 - βεβαιωθείτε ότι ολόκληρη η επιφάνεια της πλάκας βάσης στηρίζεται καλά στο κατεργαζόμενο αντικείμενο
 - ! βεβαιωθείτε ότι η λεπίδα έχει σταματήσει τελείως πριν σηκώσετε το εργαλείο από το κατεργαζόμενο αντικείμενο
 - κρατάτε τις σχισμές αερισμού C ② ακάλυπτες

ΟΔΗΓΙΕΣ ΕΦΑΡΜΟΓΗΣ

- Χρησιμοποιείτε τις κατάλληλες προιονολεπίδες ⑪
 - ! το εργαλείο δέχεται τις περισσότερες προιονολεπίδες σχήματος T και U που διατίθενται στην αγορά ⑫
- Όταν κόβετε μέταλλα, λιπαίνετε τακτικά την προιονολεπίδα με λάδι
- Για μια ευθεία κοπή ακριβείας, κατευθύνετε το εργαλείο με την πλάκα βάσης κατά μήκος της άκρης μιας ευθείας σανίδας ⑬
- Τρυπήστε πρώτα μια τρύπα πριν κάνετε εγκοπές ⑭
- Κοπή χωρίς ακίδες
 - καλύψτε τη γραμμή κοπής με περισσότερα στρώματα φαρδιάς κολλητικής ταινίας πριν κάνετε την κοπή
 - κρατάτε πάντοτε την καλή πλευρά του κατεργαζόμενου αντικείμενου προς τα κάτω
- Για περισσότερες συμβουλές δείτε www.skil.com

ΣΥΝΤΗΡΗΣΗ / ΣΕΡΒΙΣ

- Αυτό το εργαλείο δεν προορίζεται για επαγγελματική χρήση
- Κρατάτε πάντοτε το εργαλείο και το καλώδιο καθαρά (και ιδιαίτερα τις θυρίδες αερισμού C ②)
 - ! αφαιρέστε την πρίζα πριν το καθάρισμα
- Αν παρ' όλες τις επιμελημένες μεθόδους κατασκευής κι ελέγχου το εργαλείο σταματήσει κάποτε να λειτουργεί, τότε η επισκευή του πρέπει να ανατεθεί σ' ένα εξουσιοδοτημένο συνεργείο για ηλεκτρικά εργαλεία της SKIL
 - στείλτε το εργαλείο χωρίς να το αποσυρμολογήσετε μαζί με την απόδειξη

αγοράς στο κατάστημα από το οποίο το αγοράσατε ή στον πλησιέστερο σταθμό τεχνικής εξυπηρέτησης της SKIL (θα βρείτε τις διευθύνσεις και το διάγραμμα συντήρησης του εργαλείου στην ιστοσελίδα www.skil.com)

ΠΕΡΙΒΑΛΛΟΝ

- Μην πετάτε τα ηλεκτρικά εργαλεία, εξαρτήματα και συσκευασία στον κάδο οικιακών απορριμμάτων (μόνο για τις χώρες της ΕΕ)
 - σύμφωνα με την ευρωπαϊκή οδηγία 2012/19/EK περί ηλεκτρικών και ηλεκτρονικών συσκευών και την ενσωμάτωσή της στο εθνικό δίκαιο, τα ηλεκτρικά εργαλεία πρέπει να συλλέγονται ξεχωριστά και να επιστρέφονται για ανακύκλωση με τρόπο φιλικό προς το περιβάλλον
 - το σύμβολο ⑮ θα σας το θυμίσει αυτό όταν έλθει η ώρα να πετάξετε τις

ΔΗΛΩΣΗ ΣΥΜΜΟΡΦΩΣΗΣ CE

Σέγα 4285

Τεχνικά χαρακτηριστικά ①

- Δηλώνουμε υπευθύνως ότι το προϊόν που περιγράφεται στα "Τεχνικά χαρακτηριστικά" εκπληρώνει τους εξής κανονισμούς ή κατασκευαστικές συστάσεις: EN 60745, EN 61000, EN 55014 σύμφωνα με τις διατάξεις των οδηγιών 2014/30/EE, 2006/42/EK, 2011/65/EE
- Τεχνικός φάκελος από: SKIL Europe BV (PT-SEU/ENG1), 4825 BD Breda, NL

Marijn van der Hoofden
Operations & Engineering

Olaf Dijkstra
Approval Manager

SKIL Europe BV, 4825 BD Breda, NL

02.02.2015

ΘΥΡΥΒΟ/ΚΡΑΔΑΣΜΟΥΣ

- Μετρημένη σύμφωνα με EN 60745 η στάθμη ακουστικής πίεσης αυτού του εργαλείου ανέρχεται σε 84 dB(A) και η στάθμη ηχητικής ισχύος σε 95 dB(A) (κοινή απόκλιση: 3 dB), ο κ κραδασμός σε * m/s² (άθροισμα ανυσμάτων των κατευθύνσεων - ανασφάλεια K = 1,5 m/s²)
 - * όταν κόβετε ξύλο 11,9 m/s²
 - * όταν κόβετε μέταλλα 12,4 m/s²
- Το επίπεδο παραγωγής κραδασμού έχει μετρηθεί σύμφωνα με μια τυποποιημένη δοκιμή που αναφέρεται στο πρότυπο EN 60745 - μπορεί να χρησιμοποιηθεί για τη σύγκριση ενός εργαλείου με ένα άλλο, καθώς και ως προκαταρκτική αξιολόγηση της έκθεσης στους κραδασμούς όταν το εργαλείο χρησιμοποιείται για τις εφαρμογές που αναφέρονται
 - η χρήση του εργαλείου για διαφορετικές εφαρμογές ή με διαφορετικά ή κακοσυντηρημένα εξαρτήματα μπορεί να αυξήσει σημαντικά το επίπεδο έκθεσης

- όταν το εργαλείο είναι απενεργοποιημένο ή δουλεύει αλλά δεν εκτελεί την εργασία, το επίπεδο έκθεσης μπορεί να μειωθεί σημαντικά
- ! **προστατευτείτε από τις επιδράσεις των ραδιοακτών συντηρώντας σωστά το εργαλείο και τα εξαρτήματά του, διατηρώντας τα χέρια σας ζεστά και οργανώνοντας τον τρόπο εργασίας σας**

RO

Ferăstrău vertical

4285

INTRODUCERE

- Această sculă este destinată pentru a face perforări și decupări în lemn, material plastic, metal, și este corespunzător pentru a face tăieturi în linie dreaptă și curbă, cu îmbinare în unghi de 45°
- Această sculă nu este destinată utilizării profesionale
- Citiți și păstrați acest manual de instrucțiuni ③

DATE TEHNICE ①

ELEMENTELE SCULEI ②

- A Întrerupător deschis/închis
- B Buton pentru închiderea întrerupătorului
- C Fantele de ventilație
- D Locaș de depozitare pentru cheia hexagonală

SIGURANȚA

INSTRUCȚIUNI DE SIGURANȚĂ GENERALE

⚠ ATENȚIE! Citiți toate indicațiile de avertizare și instrucțiunile. Nerespectarea indicațiilor de avertizare și a instrucțiunilor poate provoca electrocutare, incendii și/sau răniiri grave. **Păstrați toate indicațiile de avertizare și instrucțiunile în vederea utilizărilor viitoare.** Termenul de “sculă electrică” folosit în indicațiile de avertizare se referă la sculele electrice alimentate de la rețea (cu cablu de alimentare) și la sculele electrice cu acumulator (fără cablu de alimentare).

1) SIGURANȚA LA LOCUL DE MUNCĂ

- Păstrați-vă locul de muncă curat și bine iluminat.** Dezordinea la locul de muncă sau existența unor sectoare de lucru neiluminată poate duce la accidente.
- Nu folosiți mașina în medii cu pericol de explozie, acolo unde există lichide, gaze sau pulberi inflamabile.** Sculele electrice pot produce scântei care să aprindă pulberile sau vaporii.
- Nu permiteți accesul copiilor și al altor persoane în timpul lucrului cu mașina.** Dacă vi se distrage atenția puteți pierde controlul asupra mașinii.

2) SECURITATEA ELECTRICĂ

- Ștecherul de racordare a mașinii trebuie să se potrivească cu priza de alimentare. Nu este permis în nici-un caz modificarea ștecherului. Nu folosiți adaptoare pentru ștehere la mașinile legate la**

pământ. Ștecherule nemodificate și prizele de curent adecvate acestora reduc riscul de electrocutare.

- Evitați contactul corporal cu suprafețe legate la pământ ca țevi, radiatoare, plite electrice și frigider.** Există un risc crescut de electrocutare atunci când corpul dv. este și el legat la pământ.
- Nu lăsați mașina afară în ploaie sau în mediu umed.** Riscul de electrocutare crește atunci când într-o sculă electrică pătrunde apă.
- Nu trageți niciodată mașina de cordonul de alimentare pentru a o transporta, a o atârna sau a scoate ștecherul din priza de curent. Feriți cordonul de alimentare de căldură, ulei, mυχii ascuțiți sau de subsamble aflate în mișcare.** Un cordon de alimentare deteriorat sau înfășurat mărește riscul de electrocutare.
- Atunci când lucrați cu scula electrică în aer liber, folosiți numai cordoane prelungitoare autorizate pentru exterior.** Întrebuințarea unu cordon prelungitor adecvat utilizării în aer liber reduce riscul de electrocutare.
- Atunci când nu poate fi evitată utilizarea sculei electrice în mediu umed, folosiți un întrerupător de circuit cu împământare.** Folosirea unei întrerupător de circuit cu împământare reduce riscul de electrocutare.

3) SECURITATEA PERSOANELOR

- Fiți vigilenți, fiți atenți la ceea ce faceți și procedați rațional atunci când lucrați cu scula electrică. Nu folosiți mașina dacă sunteți obosiți sau vă aflați sub influența drogurilor, alcoolului sau a medicamentelor.** Un moment de neatenție în timpul lucrului cu mașina poate duce la răniiri grave.
- Purtați echipament de protecție personală și întotdeauna ochelari de protecție.** Folosirea echipamentelor de protecție a persoanei ca mască de protecție împotriva prafului, încălțăminte antiderapantă, cască de protecție sau aparat de protecție auditivă, în funcție de tipul și domeniul de folosire al sculei electrice, reduce riscul răniirilor.
- Evitați o punere în funcțiune involuntară. Înainte de a introduce ștecherul în priză și/sau de a introduce acumulatorul în scula electrică, de a o ridica sau de a o transporta, asigurați-vă că aceasta este oprită.** Dacă atunci când transportați scula electrică țineți degetul pe întrerupător sau dacă porniți scula electrică înainte de a o racorda la rețeaua de curent, puteți provoca accidente.
- Înainte de a pune mașina în funcțiune scoateți afară cheile reglabile și fixe.** O cheia reglabilă sau fixă, aflată într-o componentă de mașină care se rotește, poate provoca răniiri.
- Nu vă supraapreciați. Asigurați-vă o poziție stabilă și păstrați-vă întotdeauna echilibrul.** Astfel veți putea controla mai bine mașina în situații neașteptate.
- Purtați îmbrăcăminte de lucru adecvată. Nu purtați haine largi sau podoabe. Țineți părul, îmbrăcăminte și mânușile departe de componente aflate în mișcare.** Îmbrăcăminte largă, podoabele și părul lung pot fi prinse de piesele aflate în mișcare.
- Dacă există posibilitatea montării de echipamente și instalații de aspirare și colectare a prafului, asigurați-vă că acestea sunt conectate și folosite**

corect. Folosirea unei instalații de aspirare a prafului poate duce la reducerea poluării cu praf.

4) MANEVRAȚI ȘI FOLOȘIȚI CU GRIJĂ SCULELE ELECTRICE

- a) **Nu supraalimentați mașina. Folosiți scula electrică destinată executării lucrării dumneavoastră.** Cu scula electrică potrivită lucrăți mai bine și mai sigur în domeniul de putere specificat.
- b) **Nu folosiți scula electrică dacă are întrerupătorul defect.** O sculă electrică, care nu mai poate fi pornită sau oprită este periculoasă și trebuie reparată.
- c) **Scoateți ștecherul afară din priză și/sau îndepărtați acumulatorul, înainte de a executa reglaje, a schimba accesoriul sau de a pune mașina la o parte.** Această măsură preventivă reduce riscul unei porniri involuntare a mașinii.
- d) **În caz de nefolosire păstrați mașinile la loc inaccesibil copiilor. Nu permiteți persoanelor care nu sunt familiarizate cu mașina sau care n-au citit prezentele instrucțiuni, să folosească mașina.** Sculele electrice sunt periculoase atunci când sunt folosite de persoane fără experiență.
- e) **Întrețineți-vă cu grijă mașina. Controlați dacă componentele mobile funcționează corect și dacă nu se blochează, dacă nu există puse defecte sau deteriorate, care să afecteze funcționarea mașinii.** Înainte de a repune în funcțiune mașina, duceți-o la un atelier de asistență service pentru repararea sau înlocuirea pieselor deteriorate. Multe accidente s-au datorat întreținerii defectuoase a sculelor electrice.
- f) **Păstrați accesoriile bine ascuțite și curate.** Accesoriile atent întreținute, cu muchii tăietoare bine ascuțite se blochează mai greu și pot fi conduse mai ușor.
- g) **Folosiți sculele electrice, accesoriile, dispozitivele de lucru etc. conform prezentelor instrucțiuni. Țineți seama de condițiile de lucru și de lucrarea care trebuie executată.** Întrebuițarea unor scule electrice destinate altor utilizări decât cele preconizate, poate duce la situații periculoase.

5) SERVICE

- a) **Permiteți repararea mașinii dumneavoastră numai de către un specialist calificat și numai cu piese de schimb originale.** În acest mod este garantată menținerea siguranței de exploatare a mașinii.

INSTRUCȚIUNI DE SIGURANȚĂ PENTRU FERĂSTRĂIE VERTICALE

SECURITATE ELECTRICĂ

- Verificați întotdeauna dacă tensiunea de alimentare este aceeași cu tensiunea indicată pe plăcuța de identificare a sculei
- Nu folosiți scula atunci când cordonul sau prezintă defecțiuni; înlocuirea lor se va efectua de o persoană autorizată
- În cazul în care cordonul este deteriorat sau secționat în timpul lucrului, nu atingeți cordonul, dar deconectați imediat de la priză
- Folosiți cabluri de prelungire derulate complet, protejate/izolate, cu o capacitate de 16 amperi

SECURITATEA PERSOANELOR

- **Nu prelucrați materiale care conțin azbest** (azbestul este considerat a fi cancerigen)
- Această sculă nu trebuie să fie folosit de persoane sub 16 ani
- Când este utilizat, nivelul de zgomot poate depăși 85 dB(A); este necesar să purtați echipament de protecție pentru urechi
- Este necesar să purtați ochelari de protecție când lucrați cu materiale ce produc așchii
- Praful rezultat din materiale precum vopseaua care conține plumb, unele specii de lemn, minerale și metale poate fi periculos (contactul cu praful sau inhalarea acestuia poate provoca reacții alergice și/sau afecțiuni respiratorii operatorului sau persoanelor care stau în apropiere); **purtați o mască de praf și lucrați cu un dispozitiv de extragere a prafului când poate fi conectat**
- Anumite tipuri de praf sunt clasificate ca fiind cancerigene (cum ar fi praful de stejar și fag) în special în combinație cu aditivi pentru tratarea lemnului; **purtați o mască de praf și lucrați cu un dispozitiv de extragere a prafului când poate fi conectat**
- Respectați reglementările naționale referitoare la aspirația prafului în funcție de materialele de lucru folosite
- **Decuplați întotdeauna ștecherul de la sursa de alimentare înainte de a face o reglare sau o schimbare de accesoriu**

ÎNAINTEA UTILIZĂRII

- Înaintea fiecărei utilizări, verificați felul cum funcționează dispozitivul și în cazul unui defect, dați-l imediat să fie reparat de o persoană autorizată; niciodată să nu demontați dvs dispozitivul
- Îndepărtați toate obstacolele aflate deasupra precum și sub traseul de tăiere înainte de a începe tăierea
- Evitați daunele provocate de șuruburi, ținte și alte elemente din timpul lucrului; înlăturați aceste elemente înainte de a trece la acțiune
- **Securizați piesa de lucru** (o piesă de lucru fixată cu clame sau într-o menghină este ținută mult mai în siguranță decât manual)

ÎN TIMPUL FUNCȚIONĂRII

- **Apucați scula electrică de suprafețele de prindere izolate atunci când executați operații în cursul cărora accesoriul poate atinge fire electrice ascunse sau propriul cablu de alimentare** (contactul un cablu aflat sub tensiune poate pune sub tensiune și componentele metalice ale sculei electrice și duce la electrocutare)
- Feriți întotdeauna cordonul de părțile în mișcare ale sculei; orientați cordonul spre spate, la distanță de sculă
- În cazul unor defecțiuni electrice sau mecanice deconectați imediat instrumentul și scoateți șnurul din priză
- Țineți mâinile la distanță de pânza de ferăstrău cât timp dispozitivul este în funcțiune

ACCESORII

- SKIL garantează funcționarea perfectă a aparatului numai dacă sunt folosite accesoriile originale
- Nu folosiți o pânza de ferăstrău care este crăpată, deformată sau tocită

UTILIZARE ÎN AER LIBER

- Când se utilizează în aer liber, conectați dispozitivul prin intermediul unui întrerupător pentru curent de defect (F1) cu un curent de declanșare de maximum 30 mA, și folosiți numai un cordon prelungitor destinat pentru folosirea în aer liber și care este prevăzut cu o priză de cuplare protejată contra stropirii

DUPĂ UTILIZARE

- Când puneți instrumentul la o parte, deconectați motorul și asigurați-vă că toate elementele mobile și-au oprit complet mișcarea

UTILIZAREA

- Pornit/oprit (4)
- Întrerupător-blocare pentru uz continuu (5)
- Schimbarea pânzelor de ferăstrău (6)
- ! **introduceți pânza pe toată adâncimea, cu dinții ei spre partea din față (7)**
- Tăierea la 15°/30°/45° (8)
- Aspirarea a prafului (9a)
- ! **nu folosiți aspiratorul atunci când tăiați metal**
- Suflarea prafului (9b)
- Utilizarea sculei
 - înainte de a porni dispozitivul, asigurați-vă că partea din față a plăcii de bază e așezată plat peste materialul la care lucrați
 - țineți strâns dispozitivul cu ambele mâini, astfel încât să aveți tot timpul un control total asupra lui
 - ! **în timp ce lucrați, țineți întotdeauna scula de zonă (zonele) de prindere colorate gri (10)**
 - asigurați-vă că întreaga suprafață a plăcii de bază stă ferm pe materialul la care lucrați
 - ! **asigurați-vă că pânza s-a oprit complet din mișcare înainte de a ridica scula de pe piesa de prelucrat**
 - mențineți fantele de ventilație C (2) neacoperite

SFATURILE PENTRU UTILIZARE

- Folosiți pânzele de ferăstrău corespunzătoare (11)
- ! **aparatură acceptă atât pânze cu coada în formă de T cât și pânze cu coada în formă de U cele mai uzoare (12)**
- Când tăiați metale, ungeți în mod regulat panza de ferăstrău cu ulei
- Pentru o tăiere precisă în linie dreaptă, ghidați dispozitivul cu placa de bază de-a lungul unei bucăți drepte de lemn (13)
- Înainte de a face decupări, faceți o perforație (14)
- Tăiere fără așchii
 - acoperiți linia de tăiere, înainte de a tăia, cu câteva straturi de bandă adezivă lată
 - puneți întotdeauna materialul la care lucrați cu fața în jos
- A se vedea alte recomandări la www.skil.com

ÎNȚREȚINERE / SERVICE

- Această sculă nu este destinată utilizării profesionale
- Păstrați aparatul și cablul curat (mai ales fantele de ventilație C (2))
- ! **deconectați de la priză înainte de a curăța**

- Dacă în ciuda procedurilor de fabricație și control riguroase scula are totuși o pană, repararea acesteia se va face numai la un atelier de asistență service autorizat pentru scule electrice SKIL
 - trimiteți scula în **totalitatea lui** cu bonul de cumpărare la distribuitorul sau la centrul de service SKIL cel mai apropiat (adrese și diagrame de service se găsesc la www.skil.com)

MEDIUL

- **Nu aruncați sculele electrice, accesoriile sau ambalajele direct la pubelele de gunoi** (numai pentru țările din Comunitatea Europeană)
 - Directiva Europeană 2012/19/EC face referire la modul de aruncare a echipamentelor electrice și electronice și modul de aplicare a normelor în conformitate cu legislația națională; sculele electrice în momentul în care au atins un grad avansat de uzură și trebuie aruncate, ele trebuie colectate separat și reciclate într-un mod ce respectă normele de protecție a mediului inconjurător
 - simbolul (15) vă va reaminti acest lucru

DECLARAȚIE DE CONFORMITATE CE

Ferăstrău vertical 4285

Date tehnice (1)

- Declaram pe proprie răspundere că produsul descris la paragraful "Date tehnice" este în conformitate cu următoarele standarde și documente normative: EN 60745, EN 61000, EN 55014 conform prevederilor directivelor 2014/30/UE, 2006/42/CE, 2011/65/UE
- **Documentație tehnică la:** SKIL Europe BV (PT-SEU/ENG1), 4825 BD Breda, NL

Marijn van der Hoofden
Operations & Engineering

Olaf Dijkstra
Approval Manager

SKIL Europe BV, 4825 BD Breda, NL

02.02.2015

ZGOMOT/VIBRAȚII

- Măsurat în conformitate cu EN 60745 nivelul de presiune a sunetului generat de acest instrument este de 84 dB(A) iar nivelul de putere a sunetului 95 dB(A) (abaterea standard: 3 dB), iar nivelul vibrațiilor * m/s² (suma vectorială a trei direcții; incertitudine K = 1,5 m/s²)
 - * când tăiați lemn 11,9 m/s²
 - * când tăiați metale 12,4 m/s²
- Nivelul emisiilor de vibrații a fost măsurat în conformitate cu un test standardizat precizat în EN 60745; poate fi folosit pentru a compara o sculă cu alta și ca evaluare preliminară a expunerii la vibrații atunci când folosiți scula pentru aplicațiile menționate
 - utilizarea sculei pentru aplicații diferite sau cu accesorii diferite și prost întreținute poate crește semnificativ nivelul de expunere

- momentele în care scula este oprită sau când funcționează dar nu execută nicio lucrare, pot **reduce** semnificativ nivelul de expunere
- ! **protejați-vă împotriva efectelor vibrațiilor prin întreținerea sculei și a accesoriilor sale, păstrând mâinile calde și organizând procesele de lucru**

BG

Прободен трион

4285

УВОД

- Този електроинструмент е предназначен за правене на разрези и прорези в дърво, пластмаса, метал, и е подходящ за прави и извити разрези под ъгъл до 45°
- Този инструмент не е предназначен за професионална употреба
- Прочетете и пазете това ръководство за работа ③

ТЕХНИЧЕСКИ ДАННИ ①

ЕЛЕМЕНТИ НА ИНСТРУМЕНТА ②

- A Спусък за включване/изключване
- B Бутон за застопоряване на включващия спусък
- C Вентилационните отвори
- D Място за съхранение на шестостенния ключ

БЕЗОПАСНОСТ

ОБЩИ УКАЗАНИЯ ЗА БЕЗОПАСНА РАБОТА

⚠ ВНИМАНИЕ! Прочетете внимателно всички указания. Неспазването на приведените по долу указания може да доведе до токов удар, пожар и/или тежки травми. **Съхранявайте тези указания на сигурно място.** Използваният по-долу термин “електроинструмент” се отнася до захранвани от електрическата мрежа електроинструменти (със захранващ кабел) и до захранвани от акумулаторна батерия електроинструменти (без захранващ кабел).

1) БЕЗОПАСНОСТ НА РАБОТНОТО МЯСТО

- Поддържайте работното си място чисто и подредено.** Безпорядъкът или недостатъчното осветление могат да спомогнат за възникването на трудова злополука.
- Не работете с електроинструмента в среда с повишена опасност от възникване на експлозия, в близост до леснозапалими течности, газове или прахообразни материали.** По време на работа в електроинструментите се отделят искри, които могат да възпламенят прахообразни материали или пари.
- Дръжте деца и странични лица на безопасно разстояние, докато работите с електроинструмента.** Ако вниманието Ви бъде отклонено, може да загубите контрола над електроинструмента.

2) БЕЗОПАСНОСТ ПРИ РАБОТА С ЕЛЕКТРИЧЕСКИ ТОК

- Щепселът на електроинструмента трябва да е подходящ за ползвания контакт.** В никакъв случай не се допусна изменение на конструкцията на щепсела. Когато работите със занулени електроуреди, не използвайте адаптери за щепсела. Ползването на оригинални щепсели и контакти намалява риска от възникване на токов удар.
- Избягвайте допира на тялото Ви до заземените тела, напр. тръби, отоплителни уреди, печи и хладилници.** Когато тялото Ви е заземено, рискът от възникване на токов удар е по-голям.
- Предпазвайте електроинструмента си от дъжд и влага.** Проникването на вода в електроинструмента повишава опасността от токов удар.
- Не използвайте захранващия кабел за цели, за които той не е предвиден, напр. за да носите електроинструмента за кабели или да извадите щепсела от контакта.** Предпазвайте кабела от нагрыване, омасляване, допир до остри ръбове или до подвижни звена на машини. Повредени или усукани кабели увеличават риска от възникване на токов удар.
- Когато работите с електроинструмент навън, използвайте само удължителни кабели, предназначени за работа на открито.** Използването на удължител, предназначен за работа на открито, намалява риска от възникване на токов удар.
- Ако се налага използването на електроинструмента във влажна среда, използвайте предпазен прекъсвач за утечни токове.** Използването на предпазен прекъсвач за утечни токове намалява опасността от възникване на токов удар.

3) БЕЗОПАСЕН НАЧИН НА РАБОТА

- Бъдете концентрирани, следете внимателно действията си и постъпвайте предпазливо и разумно.** Не използвайте електроинструмента, когато сте уморени или под влиянието на наркотични вещества, алкохол или упойващи лекарства. Един миг разсеяност при работа с електроинструмент може да има за последствие изключително тежки наранявания.
- Работете с предпазващо работно облекло и винаги с предпазни очила.** Носенето на подходящи за ползвания електроинструмент и извършваната дейност лични предпазни средства, като дихателна маска, здрави плътнотазворени обувки със стабилен грайфер, защитна каска или шумозаглушители (антифони), намалява риска от възникване на трудова злополука.
- Избягвайте опасността от включване на електроинструмента по невнимание.** Преди да включите щепсела в захранващата мрежа или да поставите акумулаторната батерия, се уверявайте, че пусковият прекъсвач е в положение изключено. Ако, когато носите електроинструмента, държите пръста си върху пусковия прекъсвач, или ако подавате захранващо

- напрежение на електроинструмента, когато е включен, съществува опасност от възникване на трудова злополука.
- d) **Преди да включите електроинструмента, се уверявайте, че сте отстранили от него всички помощни инструменти и гаечни ключове.** Помощен инструмент, забравен на въртящо се звено, може да причини травми.
- e) **Не надценявайте възможностите си. Работете в стабилно положение на тялото и във всеки момент поддържайте равновесие.** Така ще можете да контролирате електроинструмента по-добре и по-безопасно, ако възникне неочаквана ситуация.
- f) **Работете с подходящо облекло. Не работете с широки дрехи или украшения. Дръжте носата си, дрехите и ръкавици на безопасно разстояние от въртящи се звена на електроинструментите.** Широките дрехи, украшенията, дългите коси могат да бъдат захванати и увлечени от въртящи се звена.
- g) **Ако е възможно използването на външна аспирационна система, се уверявайте, че тя е включена и функционира изправно.** Използването на аспирационна система намалява рисковете, дължащи се на отделящата се при работа прах.
- 4) ВНИМАТЕЛНО ОТНОШЕНИЕ НЪМ ЕЛЕКТРОИНСТРУМЕНТИ**
- a) **Не претоварвайте електроинструмента. Използвайте електроинструментите само съобразно тяхното предназначение.** Ще работите по-добре и по-безопасно, когато използвате подходящия електроинструмент в зададения от производителя диапазон на натоварване.
- b) **Не използвайте електроинструмент, чиито пусков прекъсвач е повреден.** Електроинструмент, който не може да бъде изключван и включван по предвидения от производителя начин, е опасен и трябва да бъде ремонтиран.
- c) **Преди да променят настройките на електроинструмента, да заменят работни инструменти и допълнителни приспособления, канто и когато продължително време няма да използват електроинструмента, изключвайте щепсела от захранващата мрежа и/или изваждайте акумулаторната батерия.** Тази мярка премахва опасността от задействане на електроинструмента по невнимание.
- d) **Съхранявайте електроинструментите на места, където не могат да бъдат достигнати от деца. Не допускайте те да бъдат използвани от лица, които не са запознати с начина на работа с тях и не са прочели тези инструкции.** Когато са в ръцете на неопитни потребители, електроинструментите могат да бъдат изключително опасни.
- e) **Поддържайте електроинструментите си грижливо. Проверявайте дали подвижните звена функционират безукорно, дали не заклиняват, дали има счупени или повредени детайли, които нарушават или изменят фуннкциите на електроинструмента. Преди да използвате**

- електроинструмента, се погрижете повредените детайли да бъдат ремонтирани.** Много от трудовете злополуки се дължат на недобре поддържани електроинструменти и уреди.
- f) **Поддържайте режещите инструменти винаги добре заточени и чисти.** Добре поддържаните режещи инструменти с остри ръбове оказват по-малко съпротивление и се водят по-леко.
- g) **Използвайте електроинструментите, допълнителните приспособления, работните инструменти и т.н., съобразно инструкциите на производителя. С дейности и процедури, евентуално предписани от различни нормативни документи.** Използването на електроинструменти за различни от предвидените от производителя приложения повишава опасността от възникване на трудова злополука.
- 5) ПОДДЪРЖАНЕ**
- a) **Допускайте ремонтът на електроинструментите Ви да се извършва само от квалифицирани специалисти и само с използването на оригинални резервни части.** По този начин се гарантира съхраняване на безопасността на електроинструмента.

УКАЗАНИЯ ЗА БЕЗОПАСНА РАБОТА ЗА ПРОБОДЕН ТРИОН

БЕЗОПАСНОСТ ПРИ РАБОТА С ЕЛЕКТРИЧЕСКИ ТОК

- Преди включване на инструмента в контакта се уверете, че мрежовото напрежение отговаря на напрежението, обозначено на фирмената табелка на инструмента
 - Не използвайте инструмента, когато е повреден шнурът; замената му следва да се извърши от квалифицирано лице
 - Ако кабелът се повреди ил среже по време на работа, не го докосвайте, веднага изключете щепсела, никога не използвайте инструмента с повреден кабел
 - Използвайте напълно развити и обезопасени разклонители с капацитет 16 A
- БЕЗОПАСЕН НАЧИН НА РАБОТА**
- **Не обработвайте азбестсъдържащ материал** (азбестът е канцерогенен)
 - Машината не трябва да се използва от лица под 16 години
 - При работа нивото на шума може да надвиши 85 dB(A); носете анттифони
 - Когато работите с материали, отделящи стружки, носете защитни очила
 - Прахът от някои материали, като например съдържаща олово боя, някои видове дървесина, минерали и метали може да бъде вреден (контакт или вдишване на такъв прах могат да причинят алергични реакции и/или респираторни заболявания на оператора или стоящите наблизо лица); **използвайте противопрахова маска и работете с аспириращо прахта устройство, когато такова може да бъде свързано**
 - Определени видове прах са класифицирани като карциногенни (като прах от дъб и бук) особено

когато са комбинирани с добавки за подобряване на състоянието на дървесината; **използвайте противопопрахова масна и работете с аспириращо прахта устройство, когато такова може да бъде свързано**

- Следвайте дефинираните по БДС изисквания относно запрашеността за материалите, които желаете да обработите
- **Преди извършването на каквато и да било настройка или смяна на принадлежност винаги изваждайте щепсела от контакта на електрозахранването**

ПРЕДИ УПОТРЕБА

- Преди да започнете работа, винаги проверявайте как работи инструментът и в случай на дефект незабавно го дайте за ремонт на квалифицирано лице; никога не отваряйте сами електроинструмента
- Премахнете всички препятствия върху повърхността, а също и под пътя на рязане, преди да започнете рязането
- Избягвайте повреди, които могат да бъдат причинени от винтове, гвоздеи и други метални елементи в обработвания детайл; отстранете ги преди да започнете работа
- **Обезопасете работния материал** (материал, затегнат в затягащ инструмент или в менгеме е по-устойчив, отколкото ако се държи в ръка)

ПРИ УПОТРЕБА

- **Когато изпълнявате дейности, при които работният инструмент може да попадне на скрити под повърхността проводници под напрежение или да засегне хранващия кабел, внимавайте да допирате електроинструмента само до изолираните ръкохватки** (при контакт с проводник под напрежение то се предава на металните детайли на електроинструмента и това може да предизвика токов удар)
- Винаги отвеждайте хранващият кабел далеч от движещите се звена на електроинструмента; прехвърлете кабела отзад, далеч от електроинструмента
- В случай на електрическа или механична неизправност, изключете незабавно апарата и прекъснете контакта с електрическата мрежа
- Когато електроинструментът работи, пазете ръцете си от режещата лента

ДОПЪЛНИТЕЛНИ АКСЕСОАРИ

- SKIL може да осигури безаварийна работа на електроинструмента само ако се използват оригинални допълнителни приспособления
- Не използвайте режеща лента, която е напукана, деформирана или затъпена

УПОТРЕБА НА ОТКРИТО

- При работа на открито свързвайте електроинструмента към захранването посредством токопрекъсвач за повреда с максимален пусков ток от 30 mA и използвайте само удължител, предназначен за работа на открито и снабден със защитено от пръски щепселно гнездо

СЛЕД РАБОТА

- Преди да приберете инструмента, изключете мотора и се уверете, че всички движещи се части са преустановили движението

УПОТРЕБА

- Включване/изключване ④
- Застопоряване на включващия спусък за непрекъсната работа ⑤
- Смяна на остриетата ⑥
 - ! **вкарвайте острието плътно до долу с насочени напред зъбци** ⑦
- Рязане под ъгъл 15°/30°/45° ⑧
- Изсмукване на праха ⑨a
 - ! **не използвайте прахосмукачката, когато режете метал**
- Обдухване на работната повърхност ⑨b
- Работа с инструмента
 - преди да включите електроинструмента, се уверете, че предния край на опорната пластина е легнал добре върху обработвания детайл
 - дръжте електроинструмента здраво с двете ръце, така че по всяко време да имате пълен контрол върху него
 - ! **по време на работа, винаги дръжте уреда за оцветената(ите) в сиво зона(и) за хващане** ⑩
 - цялата повърхност на опорната пластина трябва да лежи плътно върху обработвания детайл
 - ! **преди да вдигнете инструмента от детайла се уверете, че режещият диск е в пълен покой**
 - оставяйте вентилационните отвори C ⑫ непокрити

УКАЗАНИЯ ЗА РАБОТА

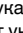
- Използвайте подходящи режещи ленти ⑪
 - ! **електроинструмента работи с най-широко разпространените типове ленти с T-образна и U-образна опашка** ⑫
- При рязане на метали смазвайте редовно режещата лента с машинно масло
- За постигане на точен прав разрез направлявайте електроинструмента с опорната пластина по ръба на право парче дърво ⑬
- Преди да правите прорези, предварително пробийте отвор ⑭
- Рязане без разцепване
 - преди рязане покрийте линията на разреза с няколко слоя широка лепилна лента
 - лицевата страна на обработвания детайл винаги трябва да сочи надолу
- За повече полезни указания вж. www.skil.com

ПОДДЪРЖКА / СЕРВИЗ

- Този инструмент не е предназначен за професионална употреба
- Поддържайте винаги електроинструмента и хранващия кабел чисти (особено вентилационните отвори C ⑫)
 - ! **преди почистване изключете щепсела**

- Ако въпреки прецизното производство и внимателно изпитване възникне повреда, инструмента да се занесе за ремонт в оторизиран сервиз за електроинструменти на SKIL
 - занесете инструмента в неразглобен вид заедно с доказателство за покупката му в търговския обект, откъдето сте го закупили, или в най-близкия сервиз на SKIL (адресите, както и схемата за сервизно обслужване на електроинструмента, можете да намерите на адрес www.skil.com)

ОПАЗВАНЕ НА ОКОЛНАТА СРЕДА

- **Не изхвърляйте електроуредите, приспособленията и опаковките заедно с битови отпадъци** (само за страни от ЕС)
 - съобразно Директивата на ЕС 2012/19/EG относно износени електрически и електронни уреди и отразяването ѝ в националното законодателство износените електроуреди следва да се събират отделно и да се предават за рециклиране според изискванията за опазване на околната среда
 - за това указва символът  тогава когато трябва да бъдат унищожени

ДЕКЛАРАЦИЯ ЗА СЪОТВЕТСТВИЕ СЕ

Прободен трион 4285

Технически данни

- С пълна отговорност ние декларираме, че описаният в "Технически данни" продукт съответства на следните стандарти или нормативни документи: EN 60745, EN 61000, EN 55014 съгласно изискванията на директиви 2014/30/EC, 2006/42/EG, 2011/65/EC
- **Подробни технически описания при:** SKIL Europe BV (PT-SEU/ENG1), 4825 BD Breda, NL

Marijn van der Hoofden
Operations & Engineering

Olaf Dijkgraaf
Approval Manager

SKIL Europe BV, 4825 BD Breda, NL

02.02.2015

ШУМ/ВИБРАЦИИ

- Измерено в съответствие с EN 60745 нивото на звуково налягане на този инструмент е 84 dB(A) а нивото на звукова мощност е 95 dB(A) (стандартно отклонение: 3 dB), а вибрациите са * m/c^2 (векторната сума по трите направления; неопределеност $K = 1,5 m/c^2$)
 - * при рязане на дърво $11,9 m/c^2$
 - * при рязане на метал $12,4 m/c^2$
- Нивото на предадените вибрации е измерено в съответствие със стандартизирания тест, определен в EN 60745; то може да се използва за сравнение на един инструмент с друг и като предварителна оценка на подлагането на вибрации при използването на инструмента за посочените приложения


- използването на инструмента за различни от тези приложения или с други, или лошо поддържани аксесоари може значително **да повиши** нивото на което сте подложени
- периодите от време, когато инструмента е изключен или съответно включен, но с него не се работи в момента могат значително **да намалят** нивото на което сте подложени
- ! **предпазвайте се от ефектите от вибрациите, като поддържате инструмента и аксесоарите му, пазете ръцете си топли и организирате вашите модели на работа**

SK

Príamočiará píla

4285

ÚVOD

- Toto náradie sa má používať na pílenie a vyrezávanie dreva, plastických materiálov, kovu; je vhodný n rovne a zaoblené rezy so spojmi na pokos uhla do 45°
- Tento nástroj nie je vhodný pre profesionálne použitie
- Prečítajte a uschovajte tento návod na použitie 


TECHNICKÉ ÚDAJE

ČASTI NÁSTROJA

- A Vypnutie a zapnutie
- B Gombík na uzamknutie vypínača
- C Vetracie štrbiny
- D Úložné miesto pre šesťhranný kľúč

BEZPEČNOSŤ

VŠEOBECNÉ BEZPEČNOSTNÉ POKYNY

 **POZOR! Prečítajte si všetky výstražné upozornenia a bezpečnostné pokyny.** Zanedbanie dodržiavania výstražných upozornení a pokynov uvedených v nasledujúcom texte môže mať za následok zásah elektrickým prúdom, spôsobiť požiar a/alebo ťažké poranenie. **Tieto výstražné upozornenia a bezpečnostné pokyny starostlivo uschovajte na budúce použitie.** Pojem ručné "elektrické náradie" používaný v nasledujúcom texte sa vzťahuje na ručné elektrické náradie napájané zo siete (s prívodnou šnúrou) a na ručné elektrické náradie napájané akumulátorovou batériou (bez prívodnej šnúry).

1) BEZPEČNOSŤ NA PRACOVISKU

- Udržiavajte svoje pracovisko čisté a upratané.** Neporiadok na pracovisku alebo neosvetlené časti pracoviska môžu viesť k úrazom.
- Nepracujte elektrickým náradím v prostredí ohrozenom výbuchom, v ktorom sa nachádzajú horľavé kvapaliny, plyny alebo prach.** Elektrické náradie produkuje iskry, ktoré môžu prach alebo pary zapáliť.

- c) **Deti a iné osoby udržiavajte počas práce od ručného elektrického náradia v dostatočnej vzdialenosti.** V prípade odpútania Vašej pozornosti by ste mohli stratiť kontrolu nad náradím.

2) ELEKTRICKÁ BEZPEČNOSŤ

- a) **Zástrčka prírodnej šnúry sa musí hodiť do napájacej zásuvky.** Zástrčka sa v žiadnom prípade nesmie meniť. Pri uzemnených spotrebičoch nepoužívajte spolu s nimi žiadne adaptéry. Nezmenená zástrčka a vhodná zásuvka znižujú riziko zásahu elektrickým prúdom.
- b) **Vyhýbajte sa telesnému kontaktu s povrchovými plochami uzemnených spotrebičov, ako sú elektrické rúry, vyhrievacie telesá, sporáky a chladničky.** Keď je Vaše telo uzemnené, riziko zásahu elektrickým prúdom je vyššie.
- c) **Chráňte ručné elektrické náradie pred dažďom a vlhkom.** Vniknutie vody do ručného elektrického náradia zvyšuje riziko zásahu elektrickým prúdom.
- d) **Nepoužívajte prírodnú šnúru na prenášanie náradia, na jeho vešanie, ani za ňu nevyťahujte zástrčku zo zásuvky. Prírodnú šnúru chráňte pred horúčavou, olejom, ostrými hranami alebo pohybujúcimi sa časťami náradia.** Poškodené alebo zauzlené šnúry zvyšujú riziko zásahu elektrickým prúdom.
- e) **Ak pracujete s ručným elektrickým náradím vonku, používajte len také predlžovacie šnúry, ktoré sú schválené pre používanie vo vonkajších priestoroch.** Používanie predlžovacej šnúry určenej do vonkajšieho prostredia znižuje riziko zásahu elektrickým prúdom.
- f) **Ak sa nedá vyhnúť použitiu ručného elektrického náradia vo vlhkom prostredí, použite prerušovač uzemňovacieho obvodu.** Používanie prerušovača uzemňovacieho obvodu znižuje riziko zásahu elektrickým prúdom.
- ## 3) BEZPEČNOSŤ OSÔB
- a) **Buďte pozorní, dávajte pozor na to, čo robíte a k práci s elektrickým náradím pristupujte rozumne. Nepoužívajte elektrické náradie, keď ste unavení alebo keď ste pod vplyvom drog, alkoholu alebo liekov.** Chvíľu nepozornosti pri používaní náradia môže viesť k vážnym poraneniam.
- b) **Noste osobné ochranné pomôcky, ochranný odev a vždy majte nasadené ochranné okuliare.** Nosenie pracovného odevu a používania ochranných pomôcok ako ochrannej dýchacej masky, bezpečnostných protišmykových topánok, prilby alebo chrániča sluchu, podľa druhu elektrického náradia, znižuje riziko poranenia.
- c) **Vyhýbajte sa neúmyselnému uvedeniu ručného elektrického náradia do činnosti. Pred zasunutím zástrčky do zásuvky a/alebo pred pripojením akumulátora, pred chytením alebo prenášaním ručného elektrického náradia sa vždy presvedčte sa, či je ručné elektrické náradie vypnuté.** Ak budete mať pri prenášaní ručného elektrického náradia prst na vypínači, alebo ak ručné elektrické náradie pripojíte na elektrickú sieť zapnuté, môže to mať za následok nehodu.
- d) **Skôr ako ručné elektrické náradie zapnete, odstráňte nastavovacie a montážne nástroje.** Nástroj

alebo kľúč, ktorý sa nachádza v pohyblivej časti náradia, môže spôsobiť poranenie.

- e) **Nepreceňujte sa. Zabezpečte si pevný postoj a neprestajne udržiavajte rovnováhu.** Taktó budete môcť ručné elektrické náradie v neočakávaných situáciách lepšie kontrolovať.
- f) **Pri práci noste vhodný pracovný odev. Nenoste široké odevy a nemajte na sebe šperky.** Dbajte na to, aby ste mali vlasy, odev a rukavice v dostatočnej vzdialenosti od pohybujúcich sa častí náradia. Pohybujúce sa časti náradia by mohli zachytiť voľné oblečenie, šperky alebo dlhé vlasy.
- g) **Ak možno namontovať zariadenie na odsávanie alebo zachytávanie prachu, presvedčte sa, či je pripojené a správne používané.** Používanie odsávacieho zariadenia a zariadenia na zachytávanie prachu znižuje riziko ohrozenia zdravia prachom.
- ## 4) STAROSTLIVÉ ZAOBCHÁDZANIE S ELEKTRICKÝM NÁRADÍM A JEHO POUŽÍVANIE
- a) **Náradie nepreťažujte. Pre svoju prácu používajte určené elektrické náradie.** Pomocou vhodného ručného elektrického náradia budete môcť v uvedenom rozsahu výkonu pracovať lepšie a bezpečnejšie.
- b) **Nepoužívajte žiadne ručné elektrické náradie, ktoré má pokazený vypínač.** Ručné elektrické náradie, ktoré sa už nedá zapínať alebo vypínať, je nebezpečné a treba ho dať opraviť.
- c) **Skôr ako začnete náradie nastavovať alebo prestavovať, vymieňať príslušenstvo alebo skôr, ako odložíte náradie, vždy vytiahnite zástrčku sieťovej šnúry zo zásuvky.** Toto bezpečnostné opatrenie zabraňuje neúmyselnému spusteniu náradia.
- d) **Nepoužívané ručné elektrické náradie uschovávajte mimo dosahu detí. Nedopusťte, aby ručné elektrické náradie používali osoby, ktoré s ním nie sú dôkladne oboznámené, alebo ktoré si neprečítali tento Návod na používanie.** Ak ručné elektrické náradie používajú neskusené osoby, stáva sa nebezpečným nástrojom.
- e) **Elektrické náradie starostlivo ošetrte.** Skontrolujte, či pohyblivé súčiastky náradia bezchybne fungujú a neblokujú a či nie sú zlomené alebo poškodené niektoré súčiastky, ktoré by mohli negatívne ovplyvniť fungovanie ručného elektrického náradia. Pred použitím ručného elektrického náradia dajte poškodené súčiastky opraviť. Nejedyn úraz bol spôsobený zle udržiavaným náradím.
- f) **Používané nástroje udržiavajte ostré a čisté.** Starostlivo ošetrované nástroje s ostrými reznými hranami sa menej často zablokujú a ich vedenie je podstatne ľahšie.
- g) **Používajte ručné elektrické náradie, príslušenstvo, pracovné nástroje a pod. podľa týchto pokynov. Zohľadnite pritom konkrétne pracovné podmienky a činnosť, ktorú máte vykonať.** Používanie ručného elektrického náradia na iné ako určené účely môže viesť k nebezpečným situáciám.

5) SERVIS

- a) **Ručné elektrické náradie zverte do opravy len kvalifikovanému personálu a používajte len**

originálne náhradné súčiastky. Tým sa zabezpečí zachovanie bezpečnosti ručného elektrického náradia.

BEZPEČNOSTNÉ POKYNY PRE PRIAMOČIARÉ PÍLY

ELEKTRICKÁ BEZPEČNOSŤ

- Vždy skontrolujte či je napájacie napätie rovnaké ako napätie uvedené na štítku nástroja
- Nikdy nepoužívajte nástroj ak je šnúra poškodená; šnúru musí vymeniť kvalifikovaná osoba
- Ak je sieťová šnúra poškodená alebo ak sa prereže počas prevádzky, nedotýkajte sa jej ale ju ihneď odpojte z hlavnej elektrickej siete
- Používajte úplne odmotanú a bezpečnú predlžovaciu šnúru s kapacitou 16 A

BEZPEČNOSŤ OSÔB

- **Neobrábajte materiál, ktorý obsahuje azbest** (azbest sa považuje za rakovinotvorný materiál)
- Tento nástroj by nemali používať osoby mladšie ako 16 rokov
- Hlasitosť zapnutého prístroja môže byť viac ako 85 dB(A); chráňte si uši ochrannými krycimi prostriedkami
- Noste ochranné okuliare pri rezaní materiálu, z ktorého prskajú triesky
- Prach z materiálu, akým je náter obsahujúci olovo, niektoré druhy dreva, minerály a kovy môže byť škodlivý (styk alebo nadýchanie prachu môže spôsobiť alergické reakcie a/alebo respiračné ochorenia obsluhy a okolostojacich osôb); **používajte ochrannú masku tváre a pracujte so zariadením na odsávanie prachu, ak je takéto zariadenie možné pripojiť**
- Určité druhy prachu sú klasifikované ako karcinogénne (akým dubový a bukový prach), a to hlavne v spojení s prísadami pre úpravu dreva; **používajte ochrannú masku tváre a pracujte so zariadením na odsávanie prachu, ak je takéto zariadenie možné pripojiť**
- Dodržujte stanovené nariadenia pre prácu v prašnom prostredí
- **Pri nastavovaní alebo výmene príslušenstva vždy vytiahnite prírodný kábel zo zásuvky**

PRED POUŽITÍM

- Skontrolujte či je nástroj v poriadku pred každým použitím; ak má nástroj poruchu, nikdy ho neotvorte sám, ale ho dajte ihneď opraviť kvalifikovanej osobe
- Predtým než začnete rezať, odstráňte všetky prekážky na vrchnej a spodnej strane reznej dráhy
- Zabráňte poškodeniu náradia skrutkami, klincami a inými kovovými predmetmi v obrobru; zoberte ich dole prv než začnete pracovať
- **Zaistite obrábaný diel** (obrábaný diel uchytýny pomocou upínacích zariadení alebo vo zveráku je oveľa bezpečnejší kým v ruke)

POČAS PRÁCE

- **Držte elektrické náradie len za izolované plochy rukovätí, ak vykonávate takú prácu, pri ktorej by mohli použiť pracovný nástroj natrafiť na skryté elektrické vedenia alebo zasiahnuť vlastnú prírodnú šnúru náradia** (kontakt s elektrickým vedením, ktoré je pod napätím, môže dostať pod napätie aj kovové súčiastky náradia a spôsobiť zásah elektrickým prúdom)
- Elektrickú šnúru udržiavajte vždy mimo pohybujúcich sa častí nástroja; elektrickú šnúru vždy smerujte dozadu, mimo nástroja

- V prípade elektrickej alebo mechanickej poruchy zastavte okamžite nástroj a vytiahnite zástrčku z nástennej zásuvky
- Dávajte pozor aby sa ruky nedostali do blízkosti pilového listu keď je nástroj v použití

PRÍSLUŠENSTVO

- SKIL zabezpečí hladký chod nástroja len ak sa používa pôvodné príslušenstvo
- Nepoužívajte prasknutý, deformovaný alebo utopený pilový list

POUŽITIE VONKU

- Pri použití von zapojte nástroj cez vypínač poruchového prúdu (FI), ktorý sa zapne ak intenzita prúdu prevyší 30 mA; použite len predlžovaciu šnúru, ktorá je zvlášť navrhnutá na vonkašie použitie a ktorá má vodotesnú spojovaciu zástrčku

PO PRÁCI

- Skôr než nástroj položíte, presvedčte sa že je motor vypnutý a že sú všetky pohyblivé súčiastky zastavené

POUŽITIE

- Zapínanie/vypínanie ④
- Aretácia vypínača pri nepretržitom používaní ⑤
- Výmena pilového listu ⑥
 - ! **vložte pilový list do úplnej hĺbky tak, že zuby smerujú dopredu** ⑦
- Pílenie pod 15°/30°/45° uhlom ⑧
- Odsávanie prachu ⑨a
 - ! **pri rezaní kovu nepoužívajte vysávač**
 - Odfukovanie prachu ⑨b
- Prevádzka nástroja
 - pred zapnutím nástroja dajte pozor aby predný koniec ochodze ležal plocho na opracovávanom materiáli
 - držte nástroj pevne oboma rukami tak, aby ste vždy bol schopný úplne nástroj ovládať
- ! **počas práce vždy držte nástroj v oblasti sivého držadla(iel)** ⑩
 - dajte pozor aby celý povrch ochodze ležal pevne na opracovávanom materiáli
- ! **dajte pozor sa pilkový list úplne zastavil prv než zodvihnete nástroj z opracovávaného materiálu**
- vetracie štrbiny C ② udržiavajte nezakryté

RADU NA POUŽITIE

- Použite vhodné pilové listy ⑪
 - ! **nástroj sa môže používať s obyčajnými pilovými listami typu T aj typu U** ⑫
- Pri rezaní kovov sa pilové listy musia pravidelne mazať olejom
- Presný rovný rez sa dosiahne vedením nástroja ochodzou pozdĺž hrany rovného kusa dreva ⑬
- Predvátajte diery prv než začnete vyrezávať otvory ⑭
- Rezanie bez rozštiepenia
 - pred rezaním zakryte rezáciu čiaru niekoľkými vrstvami širokej pásky
 - vždy položte rezaný materiál tak aby dobrá strana smerovala dole
- Viac rád nájdete na www.skil.com

ÚDRŽBA / SERVIS

- Tento nástroj nie je vhodný pre profesionálne použitie
- Nástroj a sieťovú šnúru udržiujte stále čisté (zvlášť vetracie štrbiny C ②)
- ! **pred čistením odpojte z elektrickej siete**
- Ak by nástroj napriek starostlivej výrobe a kontrole predsa len prestal niekedy fungovať, treba dať opravu vykonať autorizovanej servisnej opravovni elektrického náradia SKIL
 - pošlite nástroj **bez rozmontovania** spolu s dôkazom o kúpe; vášmu dilerovi alebo do najbližšieho servisného strediska SKIL (zoznam adries servisných stredísk a servisný diagram nástroja sú uvedené na www.skil.com)

ŽIVOTNÉ PROSTREDIE

- **Elektrické náradie, príslušenstvo a balenia nevyhadzujte do komunálneho odpadu** (len pre štáty EÚ)
 - podľa európskej smernice 2012/19/EG o nakladaní s použitými elektrickými a elektronickými zariadeniami a zodpovedajúcich ustanovení právnych predpisov jednotlivých krajín sa použité elektrické náradie musí zbierať oddelene od ostatného odpadu a podrobiť ekologicky šetrnej recyklácii
 - pripomenie vám to symbol ⑩, keď ju bude treba likvidovať

VYHLÁSENIE O ZHODE CE

Priamočiara píla 4285

Technické údaje ①

- Na vlastnú zodpovednosť vyhlasujeme, že dole popísaný výrobok "Technické údaje" sa zhoduje s nasledujúcimi normami alebo normatívnymi dokumentami: EN 60745, EN 61000, EN 55014 podľa ustanovení smerníc 2014/30/EU, 2006/42/EG, 2011/65/EU
- **Súbor technickej dokumentácie sa nachádzajú na adrese:** SKIL Europe BV (PT-SEU/ENG1), 4825 BD Breda, NL

Marijn van der Hoofden
Operations & Engineering

Olaf Dijkgraaf
Approval Manager

SKIL Europe BV, 4825 BD Breda, NL

02.02.2015

HLUKU/VIBRÁCIÁCH

- Merané podľa EN 60745 je úroveň akustického tlaku tohto nástroja 84 dB(A) a úroveň akustického výkonu je 95 dB(A) (štandardná odchýlka: 3 dB), a vibrácie sú * m/s² (súčet vektorov troch smerov; nepresnosť K = 1,5 m/s²)
 - * pri rezaní dreva 11,9 m/s²
 - * pri rezaní kovu 12,4 m/s²
- Hladina emisií od vibrácií bola nameraná v súlade s normalizovaným testom uvedeným v norme EN 60745; môže sa používať na vzájomné porovnávanie náradí a na

predbežné posúdenie vystavenia účinkom vibrácií pri používaní náradia pre uvedené aplikácie

- používanie náradia na rôzne aplikácie, alebo v spojení s rôznymi alebo nedostatočne udržiavanými doplnkami môže značne **zvýšiť** úroveň vystavenia
- časové doby počas ktorých je je náradie vypnuté alebo počas ktorých náradie beží ale v skutočnosti nevykonáva prácu môžu značne **znižovať** úroveň vystavenia

! **chráňte sa pred účinkami vibrácií tak, že budete náradie a jeho príslušenstvo správne udržiavať, tak že nebudete pracovať so studenými rukami a tak že si svoje pracovné postupy správne zorganizujete**

HR

Ubodna píla

4285

UVOD

- Ovaj je uređaj predviđen za odrezivanje i izrezivanje drva, plastike, metala, i prikladan je za ravne i zakrivljene rezove do 45°
- Ovaj uređaj nije namijenjen profesionalnoj upotrebi
- Pažljivo pročitajte i sačuvajte ove upute za rukovanje ③

TEHNIČKI PODACI ①

DIJELOVI ALATA ②

- A Prekidač za uključivanje-isključivanje
- B Gumb za blokiranje prekidača
- C Otvori za strujanje zraka
- D Skladište za šesterokutni ključ

SIGURNOST

OPĆE UPUTE ZA SIGURAN RAD

PAŽNJA! Treba pročitati sve napomene o sigurnosti i upute. Ako se ne bi poštivalo napomene o sigurnosti i upute to bi moglo uzrokovati strujni udar, požar i/ili teške ozljede. **Sačuvajte sve napomene o sigurnosti i upute za buduću primjenu.** U daljnjem tekstu korišten pojam "električni alat" odnosi se na električne alate s priključkom na električnu mrežu (s mrežnim kabelom) i na električne alate s napajanjem iz aku baterije (bez mrežnog kabela).

1) SIGURNOST NA RADNOM MJESTU

- Vaše radno područje održavajte čisto i uredno.**
Nered ili neosvijetljeno radno područje mogu doći do nezgoda.
- S uređajem ne radite u okolini ugroženoj eksplozijom, u kojoj se nalaze zapaljive tekućine, plinovi ili prašina.** Električni alati proizvode iskre koje mogu zapaliti prašinu ili pare.
- Djecu i ostale osobe držite dalje tijekom korištenja električnog alata.** Ako bi skrenuli pozornost sa posla mogli bi izgubiti kontrolu nad uređajem.

2) ELEKTRIČNA SIGURNOST

- a) **Priključni utikač uređaja treba odgovarati utičnici. Na utikaču se ni u kojem slučaju ne smiju izvoditi izmjene. Ne koristite adapterske utikače zajedno sa uređajima koji su zaštićeni uzemljenjem.** Originalni utikač i odgovarajuće utičnice smanjuju opasnost od električnog udara.
- b) **Izbjegavajte dodir tijela s uzemljenim površinama kao što su cijevi, centralno grijanje, štednjaci i hladnjaci.** Postoji povećana opasnost od električnog udara ako je vaše tijelo uzemljeno.
- c) **Držite uređaj dalje od kiše ili vlage.** Prodiranje vode u električni uređaj povećava opasnost od električnog udara.
- d) **Priključni kabel ne koristite za nošenje, vješanje ili za izvlačenje utikača iz utičnice. Držite kabel dalje od izvora topline, ulja, oštih rubova ili pomičnih dijelova uređaja.** Oštećen ili usukan kabel povećava opasnost od električnog udara.
- e) **Ako s električnim uređajem radite na otvorenom, koristite samo produžni kabel odobren za uporabu na otvorenom.** Primjena produžnog kabela prikladnog za uporabu na otvorenom smanjuje opasnost od električnog udara.
- f) **Ako se ne može izbjeći uporaba električnog alata u vlažnoj okolini, upotrijebite sigurnosna sklopka za propuštanje u zemlju.** Upotrebom sigurnosne sklopke za propuštanje u zemlju smanjuje se opasnost od električnog udara.

3) SIGURNOST LJUDI

- a) **Budite oprezni, pazite što činite i postupajte razumno kod rada s električnim alatom. Ne koristite uređaj ako ste umorni ili pod utjecajem opojnih sredstava, alkohola ili lijekova.** Trenutak nepažnje kod uporabe uređaja može doći do ozbiljnih ozljeda.
- b) **Nosite sredstva osobne zaštite i uvijek zaštitne naočale.** Nošenje sredstava osobne zaštite, kao što je zaštitna maska, sigurnosne cipele koje ne klize, zaštitne kacige ili štitnika za sluh, ovisno od vrste i primjene električnog alata, smanjuje opasnost od nezgoda.
- c) **Izbjegavajte nehotično puštanje u rad. Prije nego što ćete utaknuti utikač u utičnicu i/ili staviti aku-bateriju, provjerite je li električni alat isključen.** Ako kod nošenja električnog alata imate prst na prekidaču ili se uključen uređaj priključni na električno napajanje, to može dovesti do nezgoda.
- d) **Prije nego što uređaj uključite, uklonite alate za podešavanje ili vijčane ključeve.** Alat ili ključ koji se nalazi u rotirajućem dijelu uređaja može doći do nezgoda.
- e) **Ne precjenjujte svoje sposobnosti. Zauzmite siguran i stabilan položaj tijela i držite u svakom trenutku ravnotežu.** Na taj način možete uređaj bolje kontrolirati u neočekivanim situacijama.
- f) **Nosite prikladnu odjeću. Ne nosite široku odjeću ili nakit. Neka vaša kosa, odjeća i rukavice budu što dalje od pomičnih dijelova.** Mlohavu odjeću, nakit ili dugu kosu mogu zahvatiti pomični dijelovi uređaja.
- g) **Ako se mogu montirati naprave za usisavanje i hvatanje prašine, provjerite da li su iste priključene i da li se pravilno koriste.** Primjena naprave za usisavanje može smanjiti ugroženost od prašine.

4) BRIŽLJIVA UPORABA ELEKTRIČNIH ALATA

- a) **Ne preopterećujte uređaj. Koristite za vaše radove za to predviđen električni alat.** S odgovarajućim električnim alatom radit ćete bolje i sigurnije, u navedenom području učinka.
- b) **Ne koristite električni alat čiji je prekidač neispravan.** Električni alat koji se više ne može uključiti ili isključiti, opasan je i treba se popraviti.
- c) **Izvučite utikač iz mrežne utičnice i/ili izvadite aku-bateriju prije podešavanja uređaja, zamjene pribora ili odlaganja uređaja.** Ovim mjerama opreza spriječit će se nehotično pokretanje uređaja.
- d) **Nekoristene električne alate spremite izvan dosega djece. Ne dopustite da uređaj koriste osobe koje s njim nisu upoznate ili koje nisu pročitale upute za uporabu.** Električni alati su opasni ako ih koriste neiskusne osobe.
- e) **Uređaj održavajte s pažnjom. Kontrolirajte da li pomični dijelovi uređaja besprijekorno rade i da nisu zaglavljani, te da li su dijelovi polomljeni ili tako oštećeni da negativno djeluju na funkciju uređaja. Popravite oštećene dijelove prije uporabe uređaja.** Mnoge nezgode imaju svoj uzrok u loše održavanim uređajima.
- f) **Rezne alate održavajte ostrim i čistim.** Pažljivo održavani rezni alati s ostrim oštricama neće se zaglaviti i lakši su za vođenje.
- g) **Koristite električne alate, pribor, radne alate, itd., prema navedenim uputama. Pri tome uzmite u obzir radne uvjete i radove koje se izvode.** Uporaba električnih alata za neke druge primjene različite od predviđenih, može doći do opasnih situacija.

5) SERVIS

- a) **Popravlak uređaja prepustite samo kvalificiranom stručnom osoblju i samo s originalnim rezervnim dijelovima.** Na taj će se način postići održanje stalne sigurnosti uređaja.

UPUTE ZA SIGURAN RAD S UBODNOM PILOM

ELEKTRIČNA SIGURNOST

- Uvijek provjerite je li napon napajanja isti kao onaj naveden na tipskoj pločici uređaja
- Nikad ne upotrebljavajte alat kad su kabel oštećeni; neka iz zamijeni kvalificirana osoba
- Ako se tijekom rada priključni kabel ošteti ili odreže, ne dirati priključni kabel, nego odmah izvući mrežni utikač
- Upotrebljavajte samo neodmotane i zaštićene produžne kabele kapaciteta 16 ampera

SIGURNOST LJUDI

- **Ne obrađujte materijal koji sadrži azbest** (azbest se smatra kancerogenim)
- Uređaj ne bi smjele koristiti osobe mlađe od 16 godina
- Razina buke kod rada može premašiti 85 dB(A); nositi štitnike za sluh
- Kod obrade materijala gdje nastaje strugotina treba nositi zaštitne naočale
- Prašina od materijala kao što su boje koje sadrže olovo, neke vrste drveća, minerali i metal mogu biti opasne (dodir s prašinom ili njeno udisanje mogu prouzročiti alergične reakcije i/ili respiratorna oboljenja rukovatelja ili posmatrača); **nosite masku za zaštitu od prašine i**

radite s uređajem za ekstrakciju prašine ukoliko ga možete priključiti

- Određene vrste prašine klasificiraju se kao karcinogenske (kao što su prašina hrastovine i bukovine), osobito u sudejstvu s aditivima za kondicioniranje drveta; **nosite masku za zaštitu od prašine i radite s uređajem za ekstrakciju prašine ukoliko ga možete priključiti**
- Nacionalni uvjeti za materijale s kojima želite raditi
- **Prije svih radova održavanja, podešavanja ili izmjene alata i pribora treba izvući utikač iz mrežne utičnice**

PRIJE UPORABE

- Prije svake uporabe provjerite funkciju uređaja i u slučaju neispravnosti odmah ga poslati na popravak u ovlaštenu servis; uređaj nikada sami ne otvarajte
- Prije nego što počnete s rezanjem uklonite sve zapreke sa gornje kao i donje površine, koje se nalaze na liniji rezanja
- Izbjegavajte oštećenja od vijaka, čavala i sličnih predmeta na vašem izratku; prije početka rada ih izvadite
- **Osigurajte izradak** (izradak je sigurnije pričvršćen pomoću stezaljke ili škripa nego da ga držite rukom)

TIJEKOM UPORABE

- **Električni alat držite na izoliranim površinama zahvata, kada radite na mjestima gdje bi svrdlo moglo oštetiti skrivene električne kablove ili vlastiti priključni kabel** (kontakt sa vodom pod naponom može i metalne dijelove električnog alata staviti pod napon i dovesti do strujnog udara)
- Kabel uvijek držati dalje od rotirajućih dijelova uređaja; kabel povlačiti iza uređaja
- U slučaju neuobičajenog ponašanja uređaja ili neobičnih šumova, uređaj treba odmah isključiti i izvući utikač iz mrežne utičnice
- Držite ruke dalje od lista pile ako je uređaj uključen

PRIBOR

- SKIL može osigurati besprijekoran rad uređaja samo ako se koristi originalni pribor
- Ne smiju se koristiti napukli ili tupi listovi pile ili takvi koji su promijenili svoj oblik

UPORABA NA OTVORENOM

- Kod primjene na otvorenom, uređaj priključiti preko zaštitne sklopke struje kvara (FI), s okidačkom strujom od max. 30 mA i koristiti samo za to predviđen produžni kabel, koji je na priključnom mjestu zaštićen od prskanja

NAKON UPORABE

- Čim se odmaknete od alata trebate ga isključiti, a pomični se dijelovi trebaju potpuno zaustaviti

POSLUŽIVANJE

- Uključivanje/isključivanje ④
- Aretiranje prekidača za stalan rad ⑤
- Izmjena lista pile ⑥
- **! umetnite list ubodne pile od kraja sa zupcima okrenutim prema naprijed ⑦**
- Piljenje kod 15°/30°/45° ⑧
- Usisavanje prašine ⑨a
- **! usisavač prašine ne koristiti kod piljenja metala**
- Puhalo za prašinu ⑨b

- Posluživanje uređaja
 - prije uključivanja uređaja ploča treba prednjom stranom nalijegati na izradak
 - uređaj uvijek čvrsto držati s obje ruke, kako bi uvijek bio pod kontrolom
- **! alat kod primjene, držati samo na sivo označenim područjima ⑩**
- provjerite da li ploča podnožja sigurno naliježe po čitavoj površini
- **! list pile se mora potpuno zaustaviti prije nego što se alat ukloni sa izratka**
- otvore za strujanje zraka C ⑫ držite nepokriveno

SAVJETI ZA PRIMJENU

- Treba koristiti odgovarajuće listove pile ⑪
- **! na uređaj se mogu montirati najčešći listovi pile s T-drškom i U-drškom ⑫**
- Kod rezanja metala list pile treba redovito podmazivati uljem
- Kod preciznog rezanja, alat s donjom pločom voditi uzduž ruba ravnog komada drva ⑬
- Prije izvođenja izreza prethodno izbušiti rupu ⑭
- Rezanje bez stvaranja iveraka
 - liniju rezanja proširiti s više slojeva i prije početka rada oblijepiti ljepljivom trakom
 - površinu izratka uglavnom okrenuti prema dolje
- Dodatne savjete možete naći na adresi www.skil.com

ODRŽAVANJE / SERVISIRANJE

- Ovaj uređaj nije namijenjen profesionalnoj upotrebi
- Održavajte čistim uređaj i kabel (osobito otvore za hlađenje C ⑫)
- **! prije čišćenja treba izvući mrežni utikač**
- Ako bi uređaj unatoč brižljivih postupaka izrađe i ispitivanja ipak prestao raditi, popravak treba prepustiti ovlaštenom servisu za SKIL električne alate
 - uređaj treba **nerastavljeno** predati, zajedno s računom o kupnji u najbližu SKIL ugovornu servisnu radionicu (popise servisa, kao i oznake rezervnih dijelova uređaja možete naći na adresi www.skil.com)

ZAŠTITA OKOLIŠA

- **Električne alate, pribor i ambalažu ne bacajte u kućni otpad** (samo za EU-države)
 - prema Europskoj direktivi 2012/19/EG o staroj električnoj i elektroničkoj opremi i njenoj primjeni u skladu sa nacionalnim zakonom, istrošeni električni alati moraju se sakupljati odvojeno i odvesti u posebne pogone za reciklažu
 - na to podsjeća simbol ⑮ kada se javi potreba za odlaganjem

DEKLARACIJA O SUKLADNOSTI CE

Ubodna pila 4285

Tehnički podaci ①

- Izjavljujemo uz punu odgovornost da je ovaj proizvod opisan u "Tehnički podaci" usklađen sa slijedećim normama ili normativnim dokumentima: EN 60745, EN 61000, EN 55014, prema odredbama smjernica 2014/30/EU, 2006/42/EG, 2011/65/EU

- **Tehnička dokumentacija se može dobiti kod:** SKIL Europe BV (PT-SEU/ENG1), 4825 BD Breda, NL

Marijn van der Hoofden
Operations & Engineering

Olaf Dijkgraaf
Approval Manager

SKIL Europe BV, 4825 BD Breda, NL

02.02.2015

BUCI/VIBRACIJAMA

- Mjereno prema EN 60745 prag zvučnog tlaka ovog električnog alata iznosi 84 dB(A) a jakost zvuka 95 dB(A) (standardna devijacija: 3 dB), a vibracija * m/s² (vektorski zbroj u tri smjera; nesigurnost K = 1,5 m/s²)
 - * kod rezanja drva 11,9 m/s²
 - * kod rezanja metala 12,4 m/s²
 - Razina emitiranja vibracija izmjerena je sukladno normiranom testu danom u EN 60745; ona se može koristiti za usporedbu jedne alatke s drugom, te preliminarnu procjenu izloženosti vibracijama pri uporabi alatke za navedene namjene
 - uporaba ove alatke za druge namjene ili s drugim ili slabo održanim nastavcima, može u značajnoj mjeri **uvećati** razinu izloženosti
 - vrijeme tokom kojega je alatka isključena, ili je uključena ali se njome ne radi, može značajno **umanjiti** razinu izloženosti
- ! zaštitite se od posljedica vibracija održavanjem alatke i njezinih nastavaka, održavanjem Vaših ruku toplima, te organiziranjem Vaših obrazaca rada**

SRB

Ubodna testera

4285

UPUTSTVO

- Ovaj alat je namenjen za presecanje i odsecanje drveta, plastike, metala; koristi se za pravo i sečenje pod uglom do 45 stepeni
 - Ovaj alat nije namenjen za profesionalnu upotrebu
 - Pažljivo pročitajte i sačuvajte ova uputstva za rukovanje
- ③

TEHNIČKI PODACI ①

ELEMENTI ALATA ②

- A On/off prekidač
- B Dugme za učvršćivanje prekidača
- C Prorezi za hlađenje
- D Skladište za heksagonalni ključ

SIGURNOST

OPŠTA UPUTSTVA O SIGURNOSTI

PAŽNJA! Čitajte sva upozorenja i uputstva. Propusti kod pridržavanja upozorenja i uputstava mogu imati za

posledicu električni udar, požar i/ili teške povrede. **Čuvajte sva upozorenja i uputstva za budućnost.** Pojam upotrebljen u upozorenjima "električni alat" odnosi se na električne alate sa radom na mreži (sa mrežnim kablom) i na električne alate sa radom na akumulator (bez mrežnog kabla).

1) SIGURNOST NA RADNOM MESTU

- a) **Držite Vaše područje rada čisto i pospremljeno.** Nered ili neosvetljena radna područja mogu voditi nesrećama.
- b) **Ne radite sa aparatom u okolini ugroženoj od eksplozija u kojoj se nalaze zapaljive tečnosti, gasovi ili prašine.** Električni alati proizvode varnice, koje mogu zapaliti prašinu ili isparenja.
- c) **Za vreme korišćenja električnog alata držite podalje decu i druge osobe.** Kod skretanja možete izgubiti kontrolu nad aparatom.

2) ELEKTRIČNA SIGURNOST

- a) **Utikač za priključak aparata mora odgovarati utičnoj kutiji.** Utikač se nesme nikako menjati. **Ne upotrebljavajte adaptere utikača zajedno sa aparatima sa uzemljenom zaštitom.** Ne promenjeni utikači i odgovarajuće utičnice smanjuju rizik od električnog udara.
- b) **Izbegavajte telesni kontakt sa uzemljenim gornjim površinama, kao što su cevi, grejanja, šporeti i rashladni ormani.** Postoji povećani rizik od električnog udara, ako je Vaše telo uzemljeno.
- c) **Držite aparat podalje od kiše ili vlage.** Prodiranje vode u električni aparat povećava rizik od električnog udara.
- d) **Ne koristite kabl da bi aparat nosili, obesili ili ga izvlačili iz utičnice.** Držite kabl dalje od vreline, ulja, oštih ivica ili pokretnih delova aparata. Oštećeni ili zamršeni kablovi povećavaju rizik od električnog udara.
- e) **Ako sa nekim električnim alatom radite u prirodi, upotrebljavajte samo produžne kablove koji su dozvoljeni za spoljno područje.** Upotreba produžnog kabla pogodnog za spoljno područje smanjuje rizik od električnog udara.
- f) **Ako rad električnog alata ne može da se izbegne u vlažnoj okolini, koristite prekidač strujne zaštite pri kvaru.** Upotreba prekidača strujne zaštite pri kvaru smanjuje rizik od električnog udara.

3) SIGURNOST OSOBA

- a) **Budite pažljivi, pazite na to, šta radite i idite razumno na posao sa električnim alatom. Ne upotrebljavajte aparat, kada ste umorni ili pod uticajem droga, alkohola ili lekova.** Momenat nepažnje kod upotrebe aparata može voditi do ozbiljnih povreda.
- b) **Nosite ličnu zaštitnu opremu i uvek zaštitne naočare.** Nošenje lične zaštitne opreme, kao maske za prašinu, sigurnosne cipele koje ne klizaju, zaštitni šlem ili zaštitu za sluh, zavisno od vrste i upotrebe električnog alata, smanjujete rizik od povreda.
- c) **Izbegavajte nenamerno puštanje u rad. Uverite se da je električni alat isključen, pre nego što ga priključite na struju i/ili na akumulator, uzmete ga ili nosite.** Ako prilikom nošenja električnog alata držite prst na prekidaču ili aparat uključen priključujete na struju, može ovo voditi nesrećama.

- d) **Uklonite alate za podešavanje ili ključeve za zavrtnje, pre nego što uključite aparat.** Alat ili ključ koji se nalazi u delu aparata koji se okreće, može voditi povredama.
- e) **Ne preценjujte sebe. Pobrinite se da sigurno stojite i održavajte u svako doba ravnotežu.** Na taj način možete bolje kontrolisati aparat u neočekivanim situacijama.
- f) **Nosite pogodno odelo. Ne nosite široko odelo ili nakit. Držite kosu, odelo i rukavice podalje od pokretnih delova.** Opušteno odelo, nakit ili duža kosa mogu biti zahvaćeni od rotirajućih delova.
- g) **Ako se mogu montirati uređaji za usisavanje prašine i uređaji za hvatanje prašine, uverite se da li su priključeni i ispravno koriste.** Upotreba usisavanja prašine može smanjiti opasnosti od prašine.
- 4) **BRIZLJIVO OPHODJENJE I KORIŠĆENJE ELEKTRIČNIH ALATA**
 - a) **Ne preopterećujte aparat. Upotrebljavajte za Vaš posao električni alat odredjen za to.** Sa odgovarajućim električnim alatom radićete bolje i sigurnije u navedenom području rada.
 - b) **Ne upotrebljavajte električni alat, čiji je prekidač u kvaru.** Električni alat koji više ne može da se uključi ili isključi je opasan i mora da se popravi.
 - c) **Izvučite utikač iz utičnice i/ili uklonite akumulator pre nego što preduzmete podešavanja na aparatu, promenu delova pribora ili ostavite aparat.** Ova mera opreza sprečava nenamerni start aparata.
 - d) **Čuvajte nekorišćene električne alate izvan domašaja dece. Ne dopustite osobama da koriste aparat, koje ga ne poznaju ili nisu pročitale ova uputstva.** Električni alati su opasni, ako ih koriste neiskusne osobe.
 - e) **Održavajte aparat brižljivo. Kontrolišite, da li pokretni delovi aparata funkcionišu besprekorno i ne slepljuju, da li su delovi slomljeni ili tako oštećeni, da je funkcija aparata oštećena. Popravite oštećene delove pre upotrebe aparata.** Mnoge nesreće imaju svoj uzrok u loše održanim električnim alatima.
 - f) **Držite alate za sečenja oštre i čiste.** Brižljivo negovani alati za sečenje sa oštrim sečivima manje slepljuju i lakše se vode.
 - g) **Upotrebljavajte električne alate, pribor, alate koji se umeću itd. prema ovim uputstvima. Obratite pažnju pritom na uputstva za rad i posao koji treba izvesti.** Upotreba električnih alata za druge od propisanih namena može voditi opasnim situacijama.
- 5) **SERVIS**
 - a) **Neka Vam Vaš aparat popravlja samo kvalifikovano stručno osoblje i samo sa originalnim rezervnim delovima.** Na taj način se obezbeđuje da oстане sačuvana sigurnost aparata.

SIGURNOSNA UPUTSTVA ZA UBODNU TESTERU

ELEKTRIČNA SIGURNOST

- Uvek se uverite da je napon struje isti kao i napon naveden na pločici sa nazivom alatu
- Nikada nemojte da koristite alat ako je kabl oštećen; zamenu kabla mora da obavi stručno lice

- Ako se kabl ošteti ili preseče u toku rada, odmah ga iskopčajte i nemojte ga dodirivati
- Produžni kabl koji koristite mora da bude sasvim odmotan i siguran, sa kapacitetom od 16 A

SIGURNOST OSOBA

- **Ne obrađujte nikakav materijal koji sadrži azbest** (azbest važi kao izazivač raka)
- Ovaj alat ne treba da koriste osobe ispod 16 godina
- Buka koju alat proizvodi tokom rada može da premaši 85 dB(A); nosite zaštitu za sluh
- Nosite naočare kada radite sa materijalima koji proizvode piljevinu
- Prašina od materijala, kao što su boja koja sadrži olovo, neke vrste drveta, minerali i metal, može biti opasna (dodir ili udisanje prašine može prouzrokovati alergijske reakcije i/ili respiratorna oboljenja rukovaoca i lica u blizini); **nosite masku protiv prašine i radite uz uključeni uređaj za ekstrakciju prašine kada radite na mestima gde ju je moguće priključiti**
- Određene vrste prašine su klasifikovane kao kancerogene (kao što su prašina hrastovine i bukovine), posebno u sadejstvu sa aditivima za pripremu drveta; **nosite masku protiv prašine i radite uz uključeni uređaj za ekstrakciju prašine kada radite na mestima gde ju je moguće priključiti**
- Prati nacionalne propise vezane za prašinu koja se proizvodi prilikom rada na obrađivanim materijalima
- **Obavezno iskopčajte alat iz električne utičnice pre nego što izvršite bilo kakva podešavanja ili zamenu pribora**

PRE UPOTREBE

- Proverite funkcioisanje električnog alata pre upotrebe i u slučaju postojanja bilo kakvog kvara dajte odmah na popravku nikada ne otvarajte alat sami
- Pre nego što započnete sečenje, uklonite sve prepreke na vrhu, kao i ispod putanje sečenja
- Izbegavajte oštećenja od šrafova, eksera i drugih predmeta na vašem području rada; uklonite ih pre nego što započnete rad
- **Obezbedite radni predmet** (radni predmet stegnut pomoću stega ili nečeg sličnog je mnogo stabilniji neko kada se drži rukom)

TOKOM UPOTREBE

- **Držite električni alat za izolovane hvataljke kada izvodite radove kod kojih upotrebljeni alat može da susretne skrivene vodove struje ili kabl samog alata** (kontakt sa jednim vodom koji provodi struju može da stavi pod napon metalne delove uređaja i da utiče na električni udar)
- Kabl uvek držite podalje od pokretnih delova alata; uvek ga treba držati iza alata
- U slučaju da dođe do električnog ili mehaničkog kvara, odmah isključite alat i iskopčajte ga iz utičnice
- Držite ruke dalje od sečiva kada radite sa električnim alatom

PRIBOR

- SKIL može priznati garanciju samo ukoliko je korišćen originalni pribor
 - Ne koristite sečivo koje je napuklo, deformisano ili tupo
- ### KORIŠĆENJE NA OTVORENOM
- Prilikom primene alata napolju, priključite ga preko FI sklopke sa strujom isključenja od maksimalnih 30mA i koristite samo jedan produžni gajtan, koji je dredviđen za

korišćenje na otvorenom i koji ima utikač zaštićen od prodora vode

NAKON UPOTREBE

- Kada završite rad sa alatom, isključite motor i proverite da li su se zaustavili svi pokretni delovi

UPUTSTVO ZA KORIŠĆENJE

- Uključivanje/isključivanje ④
- Učvršćivanje prekidača za stalno bušenje ⑤
- Promena sečiva ⑥
 - ! ubacite sečivo do pune dubine sa zupcima okrenutim prema napred ⑦
- Testerisanje na 15/30/45 stepeni ⑧
- Usisavanje prašine ⑨a
 - ! ne koristite vakumski čistač kada sečete metal
- Otprašivač ⑨b
- Rukovanje alatom
 - pre paljenja motora proverite da je prednji deo radne ploče postavljen ravno na radnom mestu
 - držite alat čvrsto obema rukama, tako će te imati punu kontrolu nad alatom sve vreme
 - ! dok radite, uvek držite alat za mesto(a) koje(a) su označena sivom bojom ⑩
 - uverite se da cela površina radne ploče leži čvrsto na radnom mestu
 - ! pre nego što podignete alat sa područja rada, proverite da li je došlo do potpunog prekida rada sečiva
 - prorezi za hlađenje C ② moraju da budu otvoreni

SAVETI ZA PRIMENU

- Koristite odgovarajuće sečivo ⑪
 - ! alat prihvata mnogo dostupnije T-prihvat i U-prihvat sečiva ⑫
- Kada sečete metal stavite sečivo podmazano uljem
- Za bilo koje precizno pravo sečenje, postavite alat sa radnom pločom oslonjenom na vođicu (npr. komad pravog drveta) ⑬
- Pre isecanja napravite rupe ⑭
- Sečenje bez krhotina
 - prekrijte liniju sečenja višeslojnim ili širokim trakama pre sečenja
 - lice materijala je okrenuto naniže na radnom mestu
- Za više saveta pogledajte www.skil.com

ODRŽAVANJE / SERVIS

- Ovaj alat nije namenjen za profesionalnu upotrebu
- Alat i kabl uvek održavajte čistim (posebno otvore za hlađenje C ②)
 - ! pre čišćenja iskopčajte kabl iz utičnice
- Ako bi alat i pored brižljivog postupka izrade i kontrole nekada otkazao, popravku mora vršiti neki autorizovani servis za SKIL-električne alate
 - pošaljite nerastavljeni alat zajedno sa potvrdom o kupovini vašem nabavljaču ili najbližem SKIL servisu (adrese i oznake rezervnih delova možete naći na www.skil.com)

ZAŠTITA OKOLINE

- **Električne alate, pribora i ambalaže ne odlažite u kućne otpatke** (samo za EU-države)
 - prema Evropskoj direktivi 2012/19/EG o staroj električnoj i elektronskoj opremi i njenoj upotrebi u skladu sa nacionalnim pravom, električni alati koji su istrošeni moraju biti sakupljeni odvojeno i dostavljeni pogonu za reciklažu
 - simbol ⑮ će vas podsetiti na to

DEKLARACIJA O USKLAĐENOSTI CE

Uvodna testera 4285

Tehnički podaci ①

- Izjavljujemo na vlastitu odgovornost da je pod "Tehnički podaci" opisani proizvod usaglašen sa sledećim standardima ili normativnim aktima: EN 60745, EN 61000, EN 55014 prema odredbama smernica 2014/30/EU, 2006/42/EG, 2011/65/EU
- **Tehnička dokumentacija kod:** SKIL Europe BV (PT-SEU/ENG1), 4825 BD Breda, NL

Marijn van der Hoofden
Operations & Engineering

Olaf Dijkgraaf
Approval Manager

SKIL Europe BV, 4825 BD Breda, NL

02.02.2015

BUKA/VIBRACIJE

- Mereno u skladu sa EN 60745 nivo pritiska zvuka ovog alata iznosi 84 dB(A) a jačina zvuka 95 dB(A) (normalno odstupanje: 3 dB, a vibracija * m/s² (zbir vektora tri pravca; nesigurnost K = 1,5 m/s²)
 - * pri sečenju drvo 11,9 m/s²
 - * pri sečenju metal 12,4 m/s²
- Nivo emisije vibracija izmeren je u skladu sa standardizovanim testom datim u EN 60745; on se može koristiti za upoređenje jedne alatke sa drugom, kao i za preliminarnu procenu izloženosti vibracijama pri korišćenju ove alatke za pomenute namene
 - korišćenje alatke u drugačije svrhe ili sa drugačijim ili slabo održanim nastavcima može značajno povećati nivo izloženosti
 - vreme kada je alatka isključena ili kada je uključena, ali se njome ne radi, može značajno smanjiti nivo izloženosti
 - ! zaštitite se od posledica vibracija održavanjem alatke i njenih nastavaka, održavajući Vaše ruke toplim i organizovanjem Vaših radnih obrazaca

(SLO)

Vvodna žaga

4285

UVOD

- Orodje je namenjeno za rezanje in izrezovanje iz lesa, plastike, kovine, za ravne in krive reze za kota in 45°

- To orodje ni namenjeno profesionalni uporabi
- Preberite in shranite navodila za uporabo ③

TEHNIČNI PODATKI ①

DELI ORODJA ②

- A Vklopno/izklopno stikalo
- B Gumb za blokiranje stikala
- C Ventilacijske reže
- D Mesto za shranjevanje šestkotnega ključa

VARNOST

SPLOŠNA VARNOSTNA NAVODILA

⚠ OPOZORILO! Preberite vsa opozorila in napotila.

Napake zaradi neupoštevanja spodaj navedenih opozoril in napotil lahko povzročijo električni udar, požar in/ali težke telesne poškodbe. **Vsa opozorila in napotila shranite, ker jih boste v prihodnje še potrebovali.** Pojem "električno orodje", ki se pojavlja v nadaljnjem besedilu, se nanaša na električna orodja z električnim pogonom (z električnim kablom) in na akumulatorska električna orodja (brez električnega kabla).

1) VARNOST NA DELOVNEM MESTU

- a) **Poskrbite, da bo Vaše delovno mesto vedno čisto in urejeno.** Nered ali neosvetljena delovna področja lahko povzročijo nezgode.
- b) **Prosimo, da orodja ne uporabljate v okolju, kjer je nevarnost za eksplozije in v katerem se nahajajo gorljive tekočine, plini in prah.** Električna orodja povzročajo iskenje, zato se gorljivi prah ali pare lahko vnamejo.
- c) **Ne dovolite otrokom in drugim osebam, da bi se medtem ko delate, približali električnemu orodju.** Druge osebe lahko odvrnejo Vašo pozornost drugim in izgubili boste nadzor nad orodje.

2) ELEKTRIČNA VARNOST

- a) **Vtiči mora ustrezati električni vtičnici in ga pod nobenim pogojem ne smete spreminjati.** Uporaba adapterskih vtičev v kombinaciji z ozemljena orodja ni dovoljena. Originalni oziroma nespremenjeni vtiči in ustrezne vtičnice zmanjšujejo tveganje električnega udara.
- b) **Izogibajte se telesnemu stiku z ozemljenimi površinami, na primer s cevmi, grelci, štedilniki in hladilniki.** Če je ozemljeno tudi vaše telo, obstaja povečano tveganje električnega udara.
- c) **Zavarujte orodje pred dežjem ali vlago.** Vdor vode v električno orodje povečuje tveganje električnega udara.
- d) **Električnega kabla ne uporabljajte za prenašanje ali obešanje orodja in ne vlečite vtiča iz vtičnice tako, da vlečete za kabel.** Zavarujte kabel pred vročino, oljem, ostrimi robovi in premikajočimi se deli orodja. Poškodovani ali prepleteni kabli povečujejo tveganje električnega udara.
- e) **Če z električnim orodjem delate na prostem, uporabljajte izključno kabelski podaljšek, ki je atestiran za delo na prostem.** Uporaba kabelskega podaljška, primerne za delo na prostem, zmanjšuje tveganje električnega udara.

- f) **Če je uporaba električnega orodja v vlažnem okolju neizogibna, uporabljajte prekinjevalec električnega tokokroga.** Prekinjevalca električnega tokokroga zmanjšuje tveganje električnega udara.

3) OSEBNA VARNOST

- a) **Bodite zbrani in pazite, kaj delate. Dela z električnim orodjem se lotite razumno. Nikoli ne uporabljajte orodja, če ste utrujeni in če ste pod vplivom mamil, alkohola ali zdravil.** En sam trenutek nepazljivosti pri uporabi orodja ima lahko za posledico resne telesne poškodbe.
 - b) **Uporabljajte osebna zaščitna sredstva in vedno nosite zaščitna očala.** Uporaba osebnih zaščitnih sredstev, na primer maske proti prahu, nedersečih zaščitnih čevljev, zaščitne čelade in glušnikov, odvisno od vrste in uporabe električnega orodja, zmanjšuje tveganje telesnih poškodb.
 - c) **Izogibajte se nenamernemu zagonu. Pred priključitvijo električnega orodja na električno omrežje in/ali na akumulator in pred dviganjem ali nošenjem se prepričajte, če je električno orodje izklopljeno.** Prenašanje naprave s prstom na stikalu ali priključitev vklopljenega električnega orodja na električno omrežje je lahko vzrok za nezgodo.
 - d) **Pred vklopom orodja odstranite z nje nastavitvena orodja ali vijaki ključ.** Orodje ali ključ, ki se nahajata na vrtečem se delu električnega orodja, lahko povzročita nezgodo.
 - e) **Ne preobremenjujte se in poskrbite za varno stojišče in stalno ravnotežje.** Tako boste lahko v nepričakovani situaciji bolje obvladali orodje.
 - f) **Nosite primerno obleko, ki naj ne bo preohlapna. Ne nosite nakita. Lasje, oblačila in rokavice naj se ne približujejo premikajočim se delom orodja.** Premikajoči se deli orodja lahko zgrabijo ohlapno obleko, nakit, ali dolge lase.
 - g) **Če je možno na orodje namestiti priprave za odsesavanje in prestezanje prahu, prepričajte se, ali so le-te priključene in, če jih pravilno uporabljate.** Uporaba priprav za odsesavanje prahu zmanjšuje zdravstveno ogroženost zaradi prahu.
- #### 4) RAVNANJE IN NEGA ROČNEGA ORODJA
- a) **Ne preobremenjujte orodja. Za določeno delo uporabljajte električno orodje, ki je predvideno za opravljanje tega dela.** Z ustreznim električnim orodjem boste delo opravili bolje in varneje, ker je bilo v ta namen tudi konstruirano.
 - b) **Električno orodje, ki ima pokvarjeno stikalo, ne uporabljajte.** Električno orodje, ki ga ni možno vklopiti ali izklopiti, je nevarno in ga je potrebno popraviti.
 - c) **Pred nastavljanjem naprave, zamenjavo delov pribora ali odlaganjem naprave izvlecite vtičnik iz električne vtičnice in/ali odstranite akumulator.** Ta previdnostni ukrep onemogoča nepredviden zagon orodja.
 - d) **Kadar orodja ne uporabljate ga shranjujte izven doseg otrok. Osebam, ki orodja ne poznajo ali niso prebrale teh navodil, orodja ne dovolite uporabljati.** Električna orodja so nevarna, če jih uporabljajo neizkušene osebe.
 - e) **Skrbno negujte orodje. Preverite, če premikajoči se deli orodja delujejo brezhibno in če se ne zatikajo,**

oziroma, če kakšen del orodja ni zlomljen ali poškodovan do te mere, da bi oviral njegovo delovanje. Pred nadaljnjo uporabo je potrebno poškodovani del popraviti. Vzrok za številne nezgode so ravno slabo vzdrževana električna orodja.

- f) **Rezalna orodja naj bodo ostrja in čista.** Skrbno negovana rezalna orodja z ostrimi rezili se manj zatikajo in so boljje vodljiva.
- g) **Električna orodja, pribor, nastavke in podobno uporabljajte v skladu s temi navodili. Pri tem upoštevajte delovne pogoje in vrsto dela, ki ga nameravate opraviti.** Zaradi uporabe električnega orodja v druge, nepredvidene namene, lahko nastanejo nevarne situacije.

5) SERVIS

- a) **Popravilo orodja lahko opravi samo usposobljena strokovna oseba in to izključno z originalnimi nadomestnimi deli.** Le tako bo ohranjena nadaljnja varnost orodja.

VARNOSTNA NAVODILA ZA VBDNE ŽAGE

ELEKTRIČNA VARNOST

- Vedno preverite, če je napetost omrežja enaka napetosti, ki je navedena na tablici orodja
- Nikoli ne uporabljajte orodja, če je kabel poškodovan; okvaro naj odpravi strokovnjak
- Če je priključni kabel poškodovan ali se med delom pretрга se ga ne dotikajte, temveč takoj potegnite električni vtičnik iz vtičnice
- Uporabljajte povsem iztegnjene in varne električne podaljške, z jakostjo 16 amperov

OSEBNA VARNOST

- **Ne obdelujte materiala, ki vsebuje azbest** (azbest povzroča rakasta obolenja)
- Orodja naj ne bi uporabljale osebe mlajše od 16 let
- Med delom lahko nivo hrupa presega 85 dB(A); uporabljajte zaščito proti hrupu
- Nosite zaščitna očala kadar delate z materiali kjer nastajajo odkruški
- Prah materialov, kot so barve, ki vsebujejo svinec, nekatere vrste lesa, mineralov ali kovin so lahko škodljivi (ob stiku ali vdihavanju lahko prah pri delavcu ali pri drugih prisotnih povzroči alergijsko reakcijo in/ali boleznj dihal); **nosite masko za prah in pri delu uporabljajte napravo za odsesavanje prahu, kjer je le-to možno priključiti**
- Nekaterе vrste prahu so klasificirane kot kancerogene (kot npr. prah hrasta in bukve) še posebno ob sočasni uporabi z dodatki za obdelavo lesa; **nosite masko za prah in pri delu uporabljajte napravo za odsesavanje prahu, kjer je le-to možno priključiti**
- Upoštevajte nacionalne zahteve glede prahu za materiale katere želite obdelovati
- **Vedno izvlecite električni vtičnik iz vtičnice preden spreminjate nastavitve ali menjate pribor**

PRED UPORABO

- Pred vsako uporabo preverite pravilno delovanje orodja; v primeru okvare naj orodje takoj popravi strokovnjak v pooblaščenim servisnim delavnicam; nikoli ne odpirajte orodja sami
- Odstranite ovire nad in pod linijo reza že pred začetkom žaganja

- Izogibajte se poškodb zaradi vijakov, žebeljev ali drugih elementov v obdelovancu; odstranite jih pred začetkom dela
- **Zavarujte obdelovanec** (obdelovanec stisnjen v prižemi ali primežje je bolj varen kot v roki)

MED UPORABO

- **Električno orodje smete držati le na izoliranem ročaju, če delate na območju, kjer lahko vstavljenoro orodje pride v stik s kritimi omrežnimi napeljavami ali lastni omrežni kabel** (stik z napeljavo, ki je pod napetostjo povzroči, da so posledično tudi kovinski deli orodje pod napetostjo in to vodi do električnega udara)
- Kabel naj bo vedno odmaknjen od gibljivih delov stroja; usmerite ga proti zadnjemu delu, stran od stroja
- Če pride do električnih ali mehanskih okvar, takoj izklopite stroj in izvlecite vtičnik iz vtičnice
- Pazite, da so roke odmaknjene od žaginega lista kadar je orodje vključeno

PRIBOR

- SKIL zagotavlja brezhibno delovanje orodja le z uporabo originalnega dodatnega pribora
- Ne uporabljajte poškodovanih, deformiranih ali topih žaginskih listov

ZUNANJA UPORABA

- Pri uporabi na prostem, orodje priključite na posebno tokovo zaščito FID z občutljivostjo toka max. 30 mA in uporabljajte podaljševalni kabel, ki je zaščiten proti vlagi

PO UPORABI

- Ko orodje postavite v stran, izklopite motor in pazite, da se vsi premikajoči se deli orodja popolnoma zaustavijo

UPORABA

- Vklp/izklop ④
- Aretacija stikala ⑤
- Menjava žaginskih listov ⑥
- ! **vsatavite list do konca v orodje, zobje morajo biti obrnjeni naprej** ⑦
- Rezanje pod kotom 15°/30°/45° ⑧
- Odsesavanje prahu ⑨ a
- ! **ne uporabljajte sesalca pri rezanju kovine**
- Razpihanje prahu ⑨ b
- Upravljanje orodja
 - pred vklopom orodja mora biti vodilo položeno na površino obdelovanca
 - orodje držite vedno z obema rokama, s tem imate med delom popoln nadzor nad orodjem
- ! **med delom vedno držite orodje za sivo obarvano mesto prijema** ⑩
- pazite, da je vodilo med delom popolnoma položeno na površino obdelovanca
- ! **prepričajte se, da je žagin list popolnoma zaustavljen, preden orodje odmaknete iz obdelovanca**
- ventilacijske reže C ② morajo biti nepokrite

UPORABNI NASVETI

- Uporabljajte samo ustrezne žagine liste ⑪
- ! **orodje omogoča uporabo večino razpoložljivih žaginskih listov s T- in U-stebli** ⑫
- Pri žaganju kovin žagin list redno naoljite
- Za natančno ravno rezanje vodite orodja vzdolž pritrjenega ravnega kosa lesa ⑬

- Pred izrezovanjem izvrtajte luknjo ¹⁴
- Rezanje drobljivih materialov
 - pred rezanjem prelepitate linijo reza z nekaj plastmi širokega lepilnega traku
 - pri rezanju naj bo boljša stran obdelovanca obrnjena navzdol
- Za več nasvetov glejte pod www.skil.com

VZDRŽEVANJE/SERVISIRANJE

- Orodje ni namenjeno profesionalni uporabi
- Priključni kabel in orodje naj bosta vedno čista (posebej še prezračevalne odprtine C ²)
- ! **izvlecite vtičač iz vtičnice pred čiščenjem**
- Če bi kljub skrbnim postopkoma izdelave in preizkušanja prišlo do izpada delovanja orodja, naj popravilo opravi servisna delavnica, pooblaščen za popravila SKILevih električnih orodij
 - pošljite **nerazstavljeno** orodje skupaj s potrdilom o nakupu pri vašemu prodajalcu v najbližjo SKIL servisno delavnico (naslovi, kot tudi spisek rezervnih delov se nahaja na www.skil.com)

OKOLJE

- **Električna orodja, pribora in embalaže ne odstranjujte s hišnimi odpadki** (samo za države EU)
 - v skladu z Evropsko direktivo 2012/19/EG o odpadnih električni in elektronski opremi in z njenim izvajanjem v nacionalni zakonodaji je treba električna orodja ob koncu njihove življenjske dobe ločeno zbirati in jih predati v postopek okolju prijaznega recikliranja
 - ko je potrebno odstranjevanje, naj vas o načinu spomni simbol ¹⁵

IZJAVA O SKLADNOSTI CE

Vvodna žaga 4285

Tehnični podatki ¹

- Izjavljamo pod izključno odgovornostjo, da proizvod pod "Tehnični podatki" ustreza naslednjim standardom oz. standardiziranim dokumentom: EN 60745, EN 61000, EN 55014 v skladu z določili direktiv 2014/30/EU, 2006/42/ES, 2011/65/EU
- **Tehnična dokumentacija se nahaja pri:** SKIL Europe BV (PT-SEU/ENG1), 4825 BD Breda, NL

Marijn van der Hoofden
Operations & Engineering

Olaf Dijkgraaf
Approval Manager

SKIL Europe BV, 4825 BD Breda, NL

02.02.2015

HRUP/VIBRACIJA

- Izmerjeno v skladu s predpisom EN 60745 je raven zvočnega pritiska za to orodje 84 dB(A) in jakosti zvoka 95 dB(A) (standarden odmik: 3 dB), in vibracija * m/s² (vektorska vsota treh smeri; netočnost K = 1,5 m/s²)
 - * pri rezanju les 11,9 m/s²
 - * pri rezanju kevin 12,4 m/s²

- Raven oddajanja vibracij je bila izmerjena v skladu s standardiziranimi testi, navedenimi v EN 60745; uporabiti jo je mogoče za primerjavo različnih orodij med seboj in za predhodno primerjavo izpostavljenosti vibracijam pri uporabi orodja za namene, ki so omenjeni
 - uporaba orodja za drugačne namene ali uporaba skupaj z drugimi, slabo vzdrževanimi nastavki lahko znatno **poveča** raven izpostavljenosti
 - čas, ko je orodje izklopljeno ali ko teče, vendar z njim ne delamo, lahko znatno **zmanjša** raven izpostavljenosti
- ! **pred posledicami vibracij se zaščitite z vzdrževanjem orodja in pripadajočih nastavkov, ter tako, da so vaše roke tople, vaši delovni vzorci pa organizirani**

EST

Tikkisaag

4285

SISSEJUHATUS

- Tööriist on ettenähtud puidu, plastmaterjalide, metalli saagimiseks, samuti eelnimetatud materjalides väljalõigete teostamiseks; võimalik on teha nii otse- kui figuurlõikeid või 45° nurga all
- See tööriist pole mõeldud professionaalseks kasutamiseks
- Palun lugege käesolev kasutusjuhend hoolikalt läbi ja hoidke alles ³

TEHNILISED ANDMED ¹

SEADME OSAD ²

- A Lüliti seadme sisse-/väljalülitamiseks
- B Lüliti lukustusnupp
- C Ohutusavad
- D Kuuskantvõtme hoidik

OHUTUS

ÜLDISED OHUTUSJUHISED

⚠ TÄHELEPANU! Kõik ohutusnõuded ja juhised tuleb läbi lugeda. Ohutusnõuete ja juhiste eiramise tagajärjeks võib olla elektrilööök, tulekahju ja/või rasked vigastused. **Hoidke kõik ohutusnõuded ja juhised edasiseks kasutamiseks hoolikalt alles.** Allpool kasutatud mõiste "elektriline tööriist" käib võrgutoiteta (toitejuhtmega) elektriliste tööriistade ja akutoiteta (ilma toitejuhtmeta) elektriliste tööriistade kohta.

1) OHUTUSNÕUDED TÕÕPIIRKONNAS

- Hoidke töökoht puhas ja korras.** Segadus või valgustamata tööpiirkonnad võivad põhjustada õnnetusi.
- Ärge kasutage seadet plahvatusohtlikus keskkonnas, kus leidub tuleohtlikke vedelikke, gaase või tolmu.** Elektrilistest tööriistadest lööb sädemeid, mis võivad tolmu või auru süüdata.

- c) Kui kasutate elektrilist tööriista, hoidke lapsed ja teised isikud töökohast eemal. Kui Teie tähelepanu kõrvale juhitakse, võib seade Teie kontrolli alt väljuda.

2) ELEKTRIOHUTUS

- a) Seadme pistik peab pistikupessa sobima. Pistiku kallal ei tohi teha mingeid muudatusi. Ärge kasutage kaitsemaandusega seadmete puhul adapterpistikuid. Muutmata pistikud ja sobivad pistikupesad vähendavad elektrilöögi saamise riski.
- b) Vältige kehakontakti maandatud pindadega, nagu torud, radiaatorid, pliidid ja külmikud. Kui Teie keha on maandatud, on elektrilöögi risk suurem.
- c) Hoidke seadet vihma ja niiskuse eest. Kui elektriseadmesse on sattunud vett, on elektrilöögi saamise risk suurem.
- d) Ärge kasutage toitejuhet selleks mitte ettenähtud otstarbel seadme kandmiseks, ülesriputamiseks ega pistiku pistikupesast väljatõmbamiseks. Hoidke toitejuhet kuumuse, õli, teravate servade ja seadme liikuvate osade eest. Kahjustatud või keerduläänud toitejuhtmed suurendavad elektrilöögi saamise riski.
- e) Kui töötate elektrilise tööriistaga vabas õhus, kasutage ainult selliseid pikendusjuhtmeid, mida on lubatud kasutada ka välistingimustes. Välistingimustes kasutamiseks sobiva pikendusjuhtme kasutamine vähendab elektrilöögi saamise riski.
- f) Kui elektrilise tööriista kasutamine niiskes keskkonnas on vältimatu, kasutage maandusega lekkevoolukaitses. Maandusega lekkevoolukaitsme kasutamine vähendab elektrilöögi ohtu.

3) INIMESTE TURVALISUS

- a) Olge tähelepanelik, jälgige, mida Te teete, ning toimige elektrilise tööriistaga töötades mõistlikult. Ärge kasutage seadet, kui olete väsinud või uimastite, alkoholi või ravimite mõju all. Hetkeline tähelepanematus seadme kasutamisel võib põhjustada tõsiseid vigastusi.
- b) Kandke isikukaitsevahendeid ja alati kaitseprille. Isikukaitsevahendid, nagu tolmumask, libisemiskindlad turvajalatsid, kaitsekiiver või kuulmiskaitsevahendid, kandmine – sõltuvalt elektrilise tööriista tüübist ja kasutusala – vähendab vigastuste riski.
- c) Vältige seadme tahtmatut käivitamist. Enne pistiku ühendamist pistikupessa, aku ühendamist seadme külge, seadme ülestõstmist ja kandmist veenduge, et elektrilise tööriista on välja lülitatud. Kui hoiate elektrilise tööriista kandmisel sõrme lülil või ühendate vooluvõrku sisselülitatud seadme, võivad tagajärjeks olla õnnetused.
- d) Enne seadme sisselülitamist eemaldage selle küljest reguleerimis- ja mutrivõtmed. Seadme pöörleva osa küljes olev reguleerimis- või mutrivõti võib põhjustada vigastusi.
- e) Ärge hinnake end üle. Võtke stabiilne tööasend ja hoidke kogu aeg tasakaalu. Nii saate seadet ootamatutes olukordades paremini kontrollida.
- f) Kandke sobivat rõivastust. Ärge kandke laiu riideid ega ehteid. Hoidke juuksed, rõivad ja kindad seadme liikuvatest osadest eemal. Lotendavad riided, ehted või pikad juuksed võivad sattuda seadme liikuvate osade vahele.

- g) Kui on võimalik paigaldada tolmueemaldus- ja tolmukogumisseadiseid/seadmeid, veenduge, et need oleksid seadmega ühendatud ja et neid kasutatakse õigesti. Tolmueemaldusseadise kasutamine vähendab tolmust põhjustatud ohte.
- 4) ELEKTRILISTE TÖÖRIISTADE HOOLIKAS KÄSITSEMINEN JA KASUTAMINE
- a) Ärge koormake seadet üle. Kasutage töö tegemiseks selleks ettenähtud elektrilist tööriista. Sobiva elektrilise tööriistaga töötate paremini ja turvalisemalt ettenähtud võimsusvahemikus.
- b) Ärge kasutage elektrilist tööriista, mille lüliti on rikkis. Elektriline tööriist, mida ei ole enam võimalik sisse ja välja lülitada, on ohtlik ning seda tuleb remontida.
- c) Tõmmake pistik pistikupesast välja ja/või eemaldage seadme aku enne seadme reguleerimist, tarvikute vahetamist ja seadme ärapanekut. See ettevaatusabinõu väldib seadme tahtmatut käivitamist.
- d) Kasutusvälisel ajal hoidke elektrilisi tööriistu lastele kättesaamatu. Ärge laske seadet kasutada isikutel, kes seda ei tunne või pole siinoodud juhiseid lugenud. Kogenematute kasutajate käes kujutavad elektrilised tööriistad ohtu.
- e) Hoolitsege seadme eest. Kontrollige, kas seadme liikuvad osad funktsioneerivad korralikult ja ei kiildu kinni, ning ega mõned osad ei ole katki või sel määral kahjustatud, et võiksid mõjutada seadme töökindlust. Laske kahjustatud osad enne seadme kasutamist parandada. Paljude õnnetuste põhjuseks on halvasti hooldatud elektrilised tööriistad.
- f) Hoidke lõiketarvikud teravad ja puhtad. Hoolikalt hoitud, teravate lõikeservadega lõiketarvikud kiilduvad harvemini kinni ja neid on lihtsam juhtida.
- g) Kasutage elektrilist tööriista, lisavarustust, tarvikuid jne vastavalt siinoodud juhistele. Arvestage seejuures töötingimuste ja teostatava töö iseloomuga. Elektriliste tööriistade kasutamine mitte ettenähtud otstarbel võib põhjustada ohtlikke olukordi.

5) TEENINDUS

- a) Laske seadet parandada ainult kvalifitseeritud spetsialistidel ja ainult originaalvaruosadega. Nii tagate seadme püsivise turvalisena.

OHUTUSJUHISED TIKKSAAGIDE KOHTA

ELEKTRIOHUTUS

- Kontrollige alati, kas võrgupinge ühtib tööriista andesildil toodud pingega
- Ärge kunagi kasutage kahjustatud toitejuhtmega tööriista; laske toitejuhe remonditöökojas välja vahetada
- Kui toitejuhe saab töötamisel ajal kahjustada või see lõigatakse läbi, ärge toitejuhet puutuge, vaid eemaldage koheselt pistik vooluvõrgust
- Pikendusjuhtmete kasutamisel jälgige, et juhe oleks lõpuni lahti keritud ja vastaks 16 A voolutugevusele

INIMESTE TURVALISUS

- Asbestisisaldava materjali töötlemine on keelatud (asbest võib tekitada vähki)
- Tööriista kasutaja peab olema vähemalt 16 aastat vana
- Töötamise ajal võib müratase ületada 85 dB(A); kandke kuulmiskaitsevahendeid

- Materjalide töötlemisel, millega kaasneb laastude teke, kandke kaitseprille
- Värviga kaetud juhtmed, mõned puiduliigid, mineraalid ja metall eraldavad tolmu, mis võib olla kahjulik (kokkupuude tolmu või selle sissehingamine võib seadme kasutajal või läheduses viibivatel inimestel põhjustada allergilisi reaktsioone ja/või hingamisteede haigusi); **kandke tolmumaski ja vajaduse korral töötage külgeühendatava tolmueemaldusseadmega**
- Teatud tüüpi tolm on klassifitseeritud kantserogeensena (nt tammest ja kasest eralduv tolm), eriti koos puudu niiskuse reguleerimiseks kasutatavate lisanditega; **kandke tolmumaski ja vajaduse korral töötage külgeühendatava tolmueemaldusseadmega**
- Erinevate materjalide töötlemisel tekkiva tolmu käitlemisel tuleb järgida kehtivaid nõudeid
- **Enne seadme reguleerimist või tarviku vahetust eemaldage seade vooluvõrgust (tõmmake pistik pistikupesast välja)**

ENNE KASUTAMIST

- Kontrollige tööriista funktsioneerimist enne igakordset kasutamist ning laske see rikke korral koheselt remonditöökojas parandada; ärge kunagi avage tööriista ise
- Enne saagimise alustamist eemaldage kõik nii töödeldava materjali peal- kui alpool lõikejoonel asuvad takistused
- Vältige töödeldavas esemes olevatest kruvidest, naeltest vms põhjustatud kahjustusi; eemaldage need enne töö alustamist
- **Fikseerige toorik** (fiksaatoriga kinnitatud või kruustangide vahele pandud toorik püsib kindlamini paigal kui lihtsalt käega hoides)

KASUTAMISE AJAL

- **Kui teostate töid, mille puhul võib tarvik tabada varjatud elektrijuhtmeid või seadme enda toitejuhet, hoidke seadet ainult isoleeritud käepidemetest** (kontakt pinge all oleva elektrijuhtmega võib pingestada seadme metallosad ja põhjustada elektrilöögi)
- Vältige toitejuhtme kokkupuutumist seadme pöörlevate osadega; hoidke toitejuhet alati tööriistast eemal, tagapool
- Seadme elektrilise või mehhaanilise häire korral lülitage seade viivitamatult välja ja eemaldage pistik vooluvõrgust
- Kui tööriist on sisse lülitatud, hoidke käed saelehest eemal

TARVIKUD

- SKIL tagab seadme häireteta töö üksnes originaaltarvikute kasutamisel
- Keelatud on kasutada rebenenud või nürisid, samuti deformeerunud saelehti

KASUTAMINE VÄLISTINGIMUSTES

- Tööde teostamisel välitingimustes tuleb kasutada rikkevoolu-kaitselülitit (FI max 30 mA käivitusvool) ning ainult välitingimustes kasutamiseks ette nähtud ja veepritsmete eest kaitsitud pistikupesaga pikendusjuhet

PÄRAST KASUTAMIST

- Enne tööriista juurest lahkumist lülitage see välja ning oodake, kuni selle liikuvad osad on täielikult seiskunud

KASUTAMINE

- Sisse/välja ④
- Lülitit lukustamine pidevaks tööks ⑤

- Saelehe vahetus ⑥
- **! paigaldage saeleht, hambad ettepoole, täies ulatuses ⑦**
- Saagimine 15°/30°/45° nurga all ⑧
- Tolmu eemaldamine ⑨a
- **! metalli saagimisel ei tohi tolmueemaldust kasutada**
- Tolmu väljapuhe ⑨b
- Seadme kasutamine
 - enne tööriista sisselülitamist peab alusplaadi esikülg toetuma tasasel töödeldavale esemele
 - tööriista kindlaks kontrollimiseks hoidke seda alati tugevalt kahe käega
 - **! töötamise ajal hoidke tööriista kinni korpusse ja käepideme halli värvi osadest ⑩**
 - veenduge, et alusplaat toetub kogu oma pinnaga kindlalt töödeldavale esemele
 - **! enne tööriista eemaldamist toorikust veenduge, et saeketas on täielikult seiskunud**
 - hoidke õhutusavad C ② kinnikatmata

TÖÖJUHISED

- Kasutage sobivaid saelehti ⑪
- **! seadmesse sobib enamik standardseid T- ja U-varrega saelehti ⑫**
- Metalli saagimisel määrige saelehte regulaarselt õliga
- Täpse lõikejoone saamiseks liigutage tööriista alusplaati piki sirge servaga puutükki ⑬
- Enne väljalõigete tegemise puurige auk ette ⑭
- Saagimine materjali kahjustamata
 - enne töö algust katke lõikejoon mitme kihilise kleplindiga
 - asetage töödeldava eseme ilusam (pealne) pool alati allapoole
- Rohkem nõuandeid leiate aadressil www.skil.com

HOOLDUS/TEENINDUS

- Tööriist pole mõeldud professionaalseks kasutamiseks
- Hoidke seade ja toitejuhe alati puhtad (eriti õhutusavad C ②)
- **! enne puhastamist eemaldage seade vooluvõrgust**
- Tööriist on hoolikalt valmistatud ja testitud; kui tööriist sellest hoolimata rikki läheb, tuleb see lasta parandada SKILI elektriliste käsitööriistade volitatud remonditöökojas
 - toimetage **lahtimonteerimata** seade koos ostukviitungiga tarnijale või lähimasse SKILI lepingulisest töökotta (aadressid ja tööriista varuosade joonise leiate aadressil www.skil.com)

KESKKOND

- **Ärge visake kasutusõlmatuks muutunud elektrilise tööriista, lisatarvikuid ja pakendeid ära koos olmejäätmetega** (üksnes EL liikmesriikidele)
- vastavalt Euroopa Parlamendi ja nõukogu direktiivile 2012/19/EÜ elektri- ja elektroonikaseadmete jäätmete kohta ning direktiivi nõuete kohaldamisele liikmesriikides tuleb kasutusõlmatuks muutunud elektrilised tööriistad koguda eraldi ja

keskkonnasäästlikult korduvkasutada või ringluse võtta

- seda meenutab Teile sümbol 15

VASTAVUSDEKLARATSIOON C E

Tikkisaag 4285

Tehnilised andmed 1

- Kinnitame ainuvastutajana, et punktis "Tehnilised andmed" kirjeldatud toode vastab järgmistele standarditele või normdokumentidele: EN 60745, EN 61000, EN 55014 vastavalt direktiivide 2014/30/EL, 2006/42/EÜ, 2011/65/EL
- **Tehnilise toimik saadaval aadressil:** SKIL Europe BV (PT-SEU/ENG1), 4825 BD Breda, NL

Marijn van der Hoofden
Operations & Engineering

Olaf Dijkgraaf
Approval Manager

SKIL Europe BV, 4825 BD Breda, NL

02.02.2015

MÜRA/VIBRATSIOON

- Vastavalt kooskõlas normiga EN 60745 läbi viidud mõõtmistele on tööriista helirõhk 84 dB(A) ja helitugevus 95 dB(A) (standardkõrvalekalle: 3 dB), ja vibratsioon * m/s^2 (kolme telje vektorsumma; mõõtemääramatus K = $1,5 m/s^2$)
 - * puidu saagimisel $11,9 m/s^2$
 - * metalli saagimisel $12,4 m/s^2$
 - Tekkiva vibratsiooni tase on mõõdetud vastavalt standardis EN 60745 kirjeldatud standarditud testile; seda võib kasutada tööriistade võrdlemiseks ja tööriista kasutamisel ettenähtud töödeks esineva vibratsiooni esialgseks hindamiseks
 - tööriista kasutamisel muudeks rakendusteks või teiste/ halvasti hooldatud tarvikute kasutamisel võib vibratsioon märkimisväärselt **suurened**
 - ajal, kui tööriist on väljalülitatud või on küll sisselülitatud, kuid tegelikult seda ei kasutata, võib vibratsioon märkimisväärselt **vähened**
- ! enda kaitsmiseks vibratsiooni eest hooldage tööriista ja selle tarvikuid korralikult, hoidke oma käed soojad ja tagage sujuv töökorraldus**

LV

Figürzāģis

4285

IEVADS

- Šis instruments ir paredzēts zāģēšanai un izzāģēšanai kokā, plastmasā, metālā, un ir piemērots taisnu, lokveida un slīpo zāģējumu (ar zāģējuma leņķi 0° un 45°) veidošanai
- Šis instruments nav paredzēts profesionālai lietošanai
- Izlasiet un saglabājiet šo pamācību 3

TEHNISKIE PARAMETRI 1

INSTRUMENTA ELEMENTI 2

- A Ieslēdzējs
- B Poga ieslēdzēja fiksēšanai
- C Ventilācijas atveres
- D Nodalījums sešstūra stienātslēgas glabāšanai

DROŠĪBA

VISPĀRĒJIE DARBA DROŠĪBAS NOTEIKUMI

UZMANĪBU! Rūpīgi izlasiet visus drošības noteikumus. Šeit sniegto drošības noteikumu un norādījumu neievērošana var izraisīt aizdegšanos un būt par cēloni elektriskajam triecienam vai nopietnam savainojumam. **Pēc izlasīšanas uzglabājiet šos noteikumus turpmāki izmantošanai.** Turpmākajā izklāstā lietotais apzīmējums "elektroinstrument" attiecas gan uz tīkla elektroinstrumentiem (ar elektrokabeli), gan arī uz akumulatora elektroinstrumentiem (bez elektrokabeļa).

1) DROŠĪBA DARBA VIETĀ

- Seko jiet, lai darba vieta būtu tīra un sakārtota.** Nekārtīgā darba vietā vai sliktā apgaismojumā var viegli notikt nelaimes gadījums.
- Nelietojiet elektroinstrumentu eksplozīvu vai ugunsdrošu vielu tuvumā un vietās ar paaugstinātu gāzes vai putekļu saturu gaisā.** Darba laikā instruments nedaudz dzirksteļo, un tas var izsaukt viegli degošu putekļu vai tvaiku aizdegšanos.
- Lietojot elektroinstrumentu, nelaujiet nepiederošām personām un jo īpaši bērniem tuvoties darba vietai.** Citu personu klātbūtne var novērst uzmanību, un tā rezultātā jūs varat zaudēt kontroli pār instrumentu.

2) ELEKTRODROŠĪBA

- Elektroinstrumenta kontaktdakšai jābūt piemērotai elektroīkla kontaktlīdzdai. Kontaktdakšas konstrukciju nedrīkst nekādā veidā mainīt.** Nelietojiet kontaktdakšas salāgotājus, ja elektroinstruments caur kabeli tiek savienots ar aizsargzēmējuma ķēdi. Neizmainītas konstrukcijas kontaktdakša, kas piemērota kontaktlīdzdai, ļauj samazināt elektriskā trieciena saņemšanas risku.
- Darba laikā nepieskarieties sazēmētiem priekšmetiem, piemēram, caurulēm, radiatoriem, plītiem vai ledusskapjiem.** Pieskaroties sazēmētām virsmām, pieaug risks saņemt elektrisko triecienu.
- Nelietojiet elektroinstrumentu lietus laikā, neturiet to mitrumā.** Mitrumam iekļūstot instrumentā, pieaug risks saņemt elektrisko triecienu.
- Nenesiet un nepiekariet elektroinstrumentu aiz elektrokabeļa. Neraujiet aiz kabeļa, ja vēlaties atvienot instrumentu no elektroīkla kontaktlīdzdas. Sargājiet elektrokabeli no karstuma, eļļas, asām šķautnēm un instrumenta kustīgajām daļām.** Bojāts vai samezģlojies elektrokabelis var būt par cēloni elektriskajam triecienam.
- Darbinot elektroinstrumentu ārpus telpām, izmantojiet tā pievienošanai vienīgi tādus pagarinātājkabeļus, kuru lietošana ārpus telpām ir atļauta.** Lietojot elektrokabeli, kas piemērots darbam ārpus telpām, samazinās risks saņemt elektrisko triecienu.

- f) **Ja elektroinstrumentu tomēr nepieciešams lietot vietās ar paaugstinātu mitrumu, izmantojiet tā pievienošanai noplūdes strāvas aizsargreleju.** Lietojot noplūdes strāvas aizsargreleju, samazinās risks saņemt elektrisko triecienu.

3) PERSONISKĀ DROŠĪBA

- a) **Darba laikā saglabājiēt paškontroli un rīkojieties saskaņā ar veselo saprātu. Pārtrauciet darbu, ja jūtaties noguris vai atrodaties alkohola, narkotiku vai medikamentu izraisītā reibumā.** Strādājot ar elektroinstrumentu, pat viens neuzmanības mirklis var būt par cēloni nopietnam savainojumam.
- b) **Izmantojiet individuālos darba aizsardzības līdzekļus un darba laikā vienmēr nēsājiet aizsargbrilles.** Individuālo darba aizsardzības līdzekļu (putekļu maskas, neslīdošu apavu un aizsargķiveres vai ausu aizsargu) pielietošana atbilstoši elektroinstrumenta tipam un veicamā darba raksturam ļauj izvairīties no savainojumiem.
- c) **Nepieļaujiet elektroinstrumenta patvaļīgu ieslēgšanos. Pirms elektroinstrumenta pievienošanas elektrotilklam, akumulatora ievietošanas vai izņemšanas, kā arī pirms elektroinstrumenta pārnesšanas pārliecinieties, ka tas ir izslēgts.** Parnesot elektroinstrumentu, ja pirksts atrodas uz ieslēdzēja, kā arī pievienojot to elektrobarošanas avotam laikā, kad elektroinstrumenti ir ieslēgts, var viegli notikt nelaimes gadījums.
- d) **Pirms instrumenta ieslēgšanas neaizmirstiet izņemt no tā regulējošos instrumentus vai skrūvjatslēgas.** Patronatslēga vai skrūvjatslēga, kas instrumenta ieslēgšanas brīdī nav izņemta no tā, var radīt savainojumu.
- e) **Strādājot ar elektroinstrumentu, ieturiet stingru stāju. Darba laikā vienmēr saglabājiēt līdzsvaru un centieties nepaslidēt.** Tas atvieglos instrumenta vadību neparedzētās situācijās.
- f) **Izvēlieties darbam piemērotu apģērbu. Darba laikā nenēsājiet brīvi plandošas drēbes un rotaslietas. Netuviniet matus, apģērbu un aizsargcimdus instrumenta kustīgajām daļām.** Vaļīgas drēbes, rotaslietas un gari mati var ieķerties instrumenta kustīgajās daļās.
- g) **Ja elektroinstrumenta konstrukcija ļauj tam pievienot ārējo putekļu uzsūkšanas vai savākšanas/uzkrāšanas ierīci, kojiē, lai tā tiktu pievienota elektroinstrumentam un pareizi darbotos.** Pielietojot putekļu uzsūkšanu vai savākšanu/uzkrāšanu, samazinās to kaitīgā ietekme uz strādājošās personas veselību.
- 4) **ELEKTROINSTRUMENTU LIETOŠANA UN APKOPE**
- a) **Nepārslēgojiēt elektroinstrumentu. Katram darbam izvēlieties piemērotu instrumentu.** Elektroinstrumentu darbosies labāk un drošāk pie nominālās slodzes.
- b) **Nelietojiet elektroinstrumentu, ja ir bojāts tā ieslēdzējs.** Elektroinstrumenti, ko nevar ieslēgt un izslēgt, ir bīstami lietošanai un to nepieciešams remontēt.
- c) **Pirms elektroinstrumenta apkopes, regulēšanas vai darbinstrumenta nomaīņas atvienojiet tā kontaktdakšu no barojošā elektrotīkla vai izņemiet no tā akumulatoru.** Šādi iespējams samazināt elektroinstrumenta nejaūšas ieslēgšanās risku.

- d) **Elektroinstrumentu, kas netiek darbināts, uzglabājiēt piemērotā vietā, kur tas nav sasniedzams bērniem un personām, kuras neprot rīkoties ar instrumentu.** Ja elektroinstrumentu lieto nekompetentas personas, tas var apdraudēt cilvēku veselību.
- e) **Rūpiji veiciēt elektroinstrumenta apkalpošanu. Pārbaudiēt, vai kustīgās daļās darbojas bez traucējumiem un nav iespīlētas, vai kāda no daļām nav salauzta vai bojāta, vai katra no tām pareizi funkcionē un pilda tai paredzēto uzdevumu. Nodrošiniēt, lai bojātās daļās tiktu savlaicīgi nomainītas vai remontētas pilnvarotā remontu darbnīcā.** Daudzi nelaimes gadījumi notiek tāpēc, ka elektroinstrumenti pirms lietošanas nav pienācīgi apkalpoti.
- f) **Savlaicīgi notīriēt un uzasinīēt griezošos darbinstrumentus.** Rūpiji kopti instrumenti, kas apgādāti ar asiem griezējiinstrumentiem, ļauj strādāt daudz ražīgāk un ir vieglāk vadāmi.
- g) **Lietojiet vienīgi tādus elektroinstrumentus, papildpiederumus, darbinstrumentus utt., kas paredzēti attiecīgajam pielietojuma veidam. Bez tam jāņem vērā arī konkrētie darba apstākļi un pielietojuma īpatnības.** Elektroinstrumentu lietošana citiem mērķiem, nekā to ir paredzējis ražotājiēfirma, ir bīstama un var novest pie neparedzamām sekām.
- 5) **APKALPOŠANA**
- a) **Nodrošiniēt, lai Instrumenta remontu veiku kvalificēts personāls, nomaīnai izmantojot oriēnālās rezerves daļas un piederumus.** Tikai tā iespējams panākt instrumenta ilgstošu un nevainojamu darbību bez atteikumiem.

DARBA DROŠĪBAS NOTEIKUMI FIGŪRZĀĻIEM

ELEKTRODROŠĪBA

- Vienmēr pārliecinieties, ka spriegums, kas uzrādīts uz instrumenta marķējuma plāksnītes, atbilst padeves spriegumam elektrotīklā
- Neizmantojiēt instrumentu, ja tam ir bojāts elektrokabelis; tā nomaīnu drīkst veikt tikai pieredzējiē speciālists
- Ja darba laikā tiek pārgriezts vai citādi mehāniski bojāts instrumenta elektrokabelis, nepieskarieties tam, bet nekavējiēties atvienojiet elektrokabeļa kontaktdakšu no barojošā elektrotīkla
- Lietojiet pilnīgi atīttus un drošus pagarinātājkabeļus, kas paredzēti 16 A strāvai

PERSONISKĀ DROŠĪBA

- **Neapstrādājiēt materiālus, kas satur azbestu** (azbestam piemīt kancerogēnas īpašības)
- Šo instrumentu nedrīkst izmantot personas, kas jaunākas par 16 gadiem
- Darba laikā instrumenta radītā trokšņa līmenis var pārsniegt 85 dB(A); lietojiēt ausu aizsargus
- Ja materiāla apstrādes gaitā veidojas skaidas, uzvelciēt aizsargbrilles
- Materiāla (piemēram, svina) saturošas krāsas, dažu koka šķirņu, minerālu un metālu) putekļi var būt kaitīgi (saskare ar putekļiem vai to ieelpošana var izraisīt alerēģiskas reakcijas un/vai elpošanas ceļu saslimšanas operatoram vai klātesošajiem); izmantojiēt putekļu masku un putekļsūcējiē, ja to iespējams pievienot

- Dažu veidu putekļi ir klasificēti kā kancerogēni (piemēram, ozola vai dižskābarža putekļi), jo īpaši apvienojumā ar koksnis kondicionēšanas piedevām; **izmantojiet putekļu masku un putekļsūcēju, ja to iespējams pievienot**
- Ievērojiet ar putekļu savākšanu saistītos nacionālos noteikumus, kas attiecas uz apstrādājamiem materiāliem
- **Pirms instrumenta regulēšanas vai piederumu nomaiņas atvienojiet to no barojošā elektrotīkla**

PIRMS DARBA UZSĀKŠANAS

- Ik reizi pirms instrumenta izmantošanas pārbaudiet tā darbību un, konstatējot bojājumu, nekavējoties nododiet to kvalificētam speciālistam remonta veikšanai; neatveriet instrumenta korpusu paša spēkiem
- Pirms zāģēšanas nodrošiniet, lai zāģējuma trase no abām zāģējamā priekšmeta pusēm tiktu atbrīvota no jebkāda veida šķēršļiem
- Izvairieties no instrumenta bojājumiem, ko var radīt apstrādājamajā priekšmetā esošās skrūves, naglas vai citi līdzīgi objekti; pirms darba uzsākšanas atbrīvojiet apstrādājamo materiālu no šādiem priekšmetiem
- **Nostipriniet apstrādājamo detaļu** (to ir drošāk nostiprināt ar spailēm vai skrūvspilēm, nevis turēt rokā)

DARBA LAIKĀ

- **Veicot darbu, kura laikā darbinstruments var skart slēptus elektriskos vadus vai paša instrumenta elektrokabeli, turiet instrumentu tikai aiz izolētajām virsmām** (darbinstrumentam skarot spriegumnesošus vadus, spriegums nonāk arī uz instrumenta metāla daļām un var būt par cēloni elektriskajam triecienam)
- Darba laikā sekojiet, lai elektrokabelis atrastos drošā attālumā no instrumenta kustīgajām daļām un stieptos prom no darba vietas virzienā uz aizmuguri
- Elektriska vai mehāniska rakstura kļūmes gadījumā nekavējoties izslēdziet instrumentu un atvienojiet kabelu kontaktakšņu no elektrotīkla
- Darba laikā netuviniet rokas figūrzāga asmenim

PAPILDPIEDERUMI

- Firma SKIL garantē instrumenta nevainojamu darbību tikai tad, ja tiek lietoti oriģinālie papildpiederumi
- Neizmantojiet iekļausiņus, deformētus vai neasus zāga asmeņus

STRĀDĀJOT ĀRPUS TĒLPĀM

- Ja instrumentu tiek izmantots ārpus telpām, pievienojiet to elektriskajam spriegumam izmantojot noplūdes strāvas releju - pārtraucēju, kas nostrādā, ja strāva instrumenta aizsargzemējuma kādē pārsniedz 30 mA; ārpus telpām izmantojiet tikai šādi lietošanai paredzētus elektrotīkla pagarinātājkabeļus, kuri ir apgādāti ar ūdensdrošu kontakttīgždu

PĒC DARBA PABEIGŠANAS

- Pirms instrumenta novietošanas izslēdziet tā elektrodzinēju un nogaidiet, līdz ir pilnīgi apstājušās visas instrumenta kustīgās daļas

DARBS

- Ieslēgšana/izslēgšana ④
- Instrumenta ieslēgšana ilgstošai darbībai, fiksējot tā ieslēdzēju ⑤

- Zāga asmeņu nomaiņa ⑥
 - ! **Ievietojiet zāga asmens kātu turētājā līdz galam tā, lai asmens zobi būtu vērsti zāģējuma virzienā** ⑦
- Zāģējumu veidošana 15°/30°/45° leņķī ⑧
- Putekļu uzsūkšana ⑨.a
 - ! **neizmantojiet putekļsūcēju, apstrādājot metālu**
- Putekļu nopūte ⑨.b
- Instrumenta darbināšana
 - pirms instrumenta ieslēgšanas, novietojiet tā pamatnes priekšējo daļu uz apstrādājamā priekšmeta
 - lai instrumentu varētu droši vadīt, turiet to stingri ar abām rokām
 - ! **darba laikā vienmēr turiet instrumentu aiz pelēkās krāsas noturvirsmas(ām)** ⑩
 - nodrošiniet, lai instrumenta pamatne darba laikā pilnībā balstītos uz apstrādājamā priekšmeta
 - ! **pirms instrumenta pacelšanas no zāģējamā priekšmeta nogaidiet, līdz tā asmens pilnīgi apstājas**
 - nenosprostojiet instrumenta ventilācijas atveres C ⑫


PRAKTISKI PADOMI

- Lietojiet apstrādājamā materiāla īpašībām piemērotus zāga asmeņus ⑪
 - ! **figūrzāģi var iestiprināt asmeņus ar T-veida un U-veida kātu** ⑬
- Zāģējot metālu, periodiski ieeļļojiet zāga asmeni
- Lai precīzi veiktu taisnu zāģējumu, virziet figūrzāģa pamatni gar taisnas koka līstes malu ⑬
- Lai veiktu izzāģēšanu, izveidojiet apstrādājamajā priekšmetā priekšurbumu ⑭
- Zāģēšana bez apstrādājamā materiāla daļiņu atšķelšanās
 - pirms zāģēšanas pārklāiet zāģējuma līniju ar vairākiem slāņiem platas līmlentes
 - novietojiet apstrādājamo priekšmetu tā, lai zāģēšanas laikā dekoratīvā puse būtu vērsta lejup
- Papildu ieteikumi ir sniegti datortīkla vietnē www.skil.com

APKALPOŠANA / APKOPE

- Šis darbarīks nav paredzēts profesionālai lietošanai
- Uzturiet tīru instrumentu un elektrokabeli (īpaši ventilācijas atveres C ⑫)
 - ! **pirms instrumenta tīrīšanas atvienojiet to no elektrotīkla**
- Ja, neraugoties uz augsto izgatavošanas kvalitāti un rūpīgo pēcražošanas pārbaudi, instruments tomēr sabojājās, tas jānogādā remontam firmas SKIL pilnvarotā elektroinstrumentu remonta darbnīcā
 - nogādājiet instrumentu **neizjauktā veidā** kopā ar iegādes dokumentiem tuvākajā tirdzniecības vietā vai firmas SKIL pilnvarotā pēciegādes apkalpošanas un remonta iestādē (adreses un instrumenta apkalpošanas shēma ir sniegta interneta vietnē www.skil.com)

APKĀRTĒJĀS VIDES AIZSARDZĪBA

- **Neizmetiet elektroiekārtas, piederumus un iesaiņojuma materiālus sadzīves atkritumos** (tikai ES valstīm)
 - saskaņā ar Eiropas Savienības direktīvu 2012/19/ES par nolietotajām elektriskajām un elektroniskajām iekārtām un tās atspoguļojumiem nacionālajā likumdošanā, nolietotās elektroiekārtas ir jāsavāc, jāizjauca un jānogādā atsevišķai pārstrādei apkārtējai videi nekaitīgā veidā
 - īpašs simbols  atgādina par nepieciešamību izstrādājumus izmantot videi nekaitīgā veidā

ATBILSTĪBAS DEKLARĀCIJA

Figurzāģis 4285

Tehniskie parametri

- Mēs ar pilnu atbildību paziņojam, ka sadaļā "Tehniskie parametri" aprakstītais izstrādājums atbilst šādiem standartiem vai normatīvajiem dokumentiem: EN 60745, EN 61000, EN 55014, kā arī direktīvām 2014/30/ES, 2006/42/EK, 2011/65/ES
- **Tehniskā dokumentācija no:** SKIL Europe BV (PT-SEU/ENG1), 4825 BD Breda, NL

Marijn van der Hoofden
Operations & Engineering

Olaf Dijkgraaf
Approval Manager



SKIL Europe BV, 4825 BD Breda, NL

02.02.2015

TROKSNIS/VIBRĀCIJA


- Saskaņā ar standartu EN 60745 noteiktais instrumenta radītā trokšņa skaņas spiediena līmenis ir 84 dB(A) un skaņas jaudas līmenis ir 95 dB(A) (pie tipiskās izkliedes 3 dB), un vibrācijas paātrinājums ir \star m/s² (vektoru summa trijos virzienos; izkliede K = 1,5 m/s²)
 - \star zāģējot kokā 11,9 m/s²
 - \star zāģējot metālu 12,4 m/s²
 - Vibrācijas līmenis ir noteikts, izmantojot standartā EN 60745 paredzēto procedūru; to var izmantot, lai salīdzinātu instrumentus un provizoriski izvērtētu vibrācijas iedarbību, lietojot instrumentu minētajiem mērķiem
 - instrumenta izmantošana citiem mērķiem vai ar citiem vai nepietiekami koptiem piederumiem var ievērojami **palielināt** kopējo vibrācijas iedarbības pakāpi
 - laika periodi, kad instruments ir izslēgts vai arī ir ieslēgts, taču darbs ar to nenotiek, var ievērojami **samazināt** kopējo vibrācijas iedarbības pakāpi
- ! pasargājiet sevi no vibrācijas iedarbības, veicot instrumentu un tā piederumu tehnisko apkopi, novēršot roku atdzišanu un pareizi organizējot darbu**

LT

Siaurapjūklas

4285

ĪVADAS

- Šiuo prietaisu galima atlikti pjuvius bei išpjuvimus medienoje, plastmasėje, metale; gali būti atliekami tiesūs arba figūriniai pjuviai - statmenai arba 45° kampu
- Šis prietaisas neskirtas profesionaliam naudojimui
- Perskaitykite ir išsaugokite šią naudojimo instrukciją 


TECHNINIAI DUOMENYS

PRIETAISO ELEMENTAI

- A Įjungimo ir išjungimo jungiklis
- B Jungiklio fiksatorius
- C Ventiliacinės angos
- D Dėklas veržliarakčiai

SAUGA

BENDROSIOS DARBO SAUGOS INSTRUKCIJOS

 **DĖMESIO!** Perskaitykite visas šias saugos nuorodas ir reikalavimus. Jei nepaisysite žemiau pateiktų saugos nuorodų ir reikalavimų, gali trenkti elektros smūgis, kilti gaisras ir/arba galite sunkiai susižaloti arba sužaloti kitus asmenis. **Išsaugokite šias saugos nuorodas ir reikalavimus, kad ir ateityje galėtumėte jais pasinaudoti.** Toliau pateiktame tekste vartojama sąvoka "elektrinis įrankis" apibūdina įrankius, maitinamus iš elektros tinklo (su maitinimo laidu), ir akumuliatorinius įrankius (be maitinimo laido).

1) DARBO VIETOS SAUGUMAS

- Darbo vieta turi būti švari ir tvarkinga.** Tinkama netvarkinga aplinka gali tapti nelaimingų atsitikimų priežastimi.
- Nedirbkite tokioje aplinkoje, kur yra degių skysčių, dujų ar dulkių.** Elektriniai įrankiai gali kibirkščiuoti, o nuo kibirkščių dulkės arba susikaupę garai gali užsidegti.
- Dirbdami su elektriniu įrankiu neleiskite šalia būti žiūrovams, vaikams ir lankytojams.** Nukreipę dėmesį į kitus asmenis galite nebesuvaldyti prietaiso.

2) ELEKTROSAUGA

- Maitinimo laido kištukas turi atitikti tinklo rozetės tipą.** Kištuko jokių būdu negalima modifikuoti. **Nenaudokite jokių kištuko adapterių su žemintais prietaisais.** Originalūs kištukai, tiksliai tinkantys elektros tinklo rozetei, sumažina elektros smūgio pavojų.
- Venkite kūno kontakto su žemintais paviršiais, tokiais kaip vamzdžiai, šildytuvai, viryklės ar šaldytuvai.** Egzistuoja padidinta elektros smūgio rizika, jei Jūsų kūnas bus žemintas.
- Saugokite prietaisą nuo lietaus ir drėgmės.** Jei vanduo patenka į elektrinį prietaisą, padidėja elektros smūgio rizika.
- Nenaudokite maitinimo laido ne pagal paskirtį, t. y. neneškite prietaiso paėmę už laido, nekabinkite prietaiso už laido, netraukite už jo, norėdami išjungti**

kištuką iš rozetės. Laidą klokite taip, kad jo neveiktų karštis, jis neišsitemptų alyva ir jo nepažeistų aštrios detalės ar judančios prietaiso dalys. Pažeisti arba susipynę laidai gali tapti elektros smūgio priežastimi.

- e) **Jei su elektriniu įrankiu dirbate lauke, naudokite tik tokius ilginimo kabelius, kurie tinka lauko darbams.** Naudojant lauko darbams pritaikytus ilginimo kabelius, sumažinamas elektros smūgio pavojus.
- f) **Jei su elektriniu įrankiu neišvengiamai reikia dirbti drėgnoje aplinkoje, naudokite įžeminimo grandinės pertraukiklį.** Naudojant įžeminimo grandinės pertraukiklį, sumažėja elektros smūgio pavojus.

3) ŽMONIŲ SAUGA

- a) **Būkite atidūs, sutelkite dėmesį į tai, ką Jūs darote ir, dirbdami su elektriniu įrankiu, vadovaukitės sveiku protu. Nedirbkite su prietaisais, jei esate pavargę arba vartojate narkotikus, alkoholį ar medikamentus.** Akimirksniu neatidumas naudojant prietaisą gali tapti rimtų sužalojimų priežastimi.
- b) **Naudokite asmenines apsaugos priemones ir visuomet užsidėkite apsauginius akinius.** Naudojant asmenines apsaugos priemones, pvz., respiratorių ar apsauginę kaukę, neslystančius batus, apsauginį šalną, klausos apsaugos priemones ir kt., rekomenduojamas dirbant su tam tikros rūšies įrankiais, sumažėja rizika susižeisti.
- c) **Saugokitės, kad neįjungtumėte prietaiso atsitiktinai. Prieš prijungdami elektrinį įrankį prie elektros tinklo ir/arba akumuliatoriaus, prieš pakeldami ar nešdami įsitikinkite, kad jis yra išjungtas.** Jeigu nešdami elektrinį įrankį pirštą laikysite ant jungiklio arba prietaisą įjungsite į elektros tinklą, kai jungiklis yra įjungtas, gali įvykti nelaimingas atsitikimas.
- d) **Prieš įjungdami prietaisą pašalinkite reguliavimo įrankius arba veržlių raktus.** Prietaiso besisukančioje dalyje esantis įrankis ar raktas gali tapti sužalojimų priežastimi.
- e) **Nepervertinkite savo galimybių. Dirbdami atsistokite patikimai ir visada išlaikykite pusiausvyrą.** Patikima stovėseną ir tinkama kūno laikysena leis geriau kontroliuoti prietaisą netikėtose situacijose.
- f) **Dėvėkite tinkamą aprangą. Nedėvėkite plačių drabužių ir pirštines nuo besisukančių prietaiso dalių.** Laisvus drabužius, papuošalus bei ilgus plaukus gali įtraukti besisukančios dalys.
- g) **Jei yra numatyta galimybė prijungti dulkių nusiurbimo ar surinkimo įrenginius, visada įsitikinkite, ar jie yra prijungti ir ar teisingai naudojami.** Naudojant dulkių nusiurbimo įrenginius sumažėja kenksmingas dulkių poveikis.
- 4) **RŪPESTINGA ELEKTRINIŲ ĮRANKIŲ PRIEŽIŪRA IR NAUDOJIMAS**
- a) **Neperkraukite prietaiso. Naudokite Jūsų darbui tinkamą elektrinį įrankį.** Su tinkamu elektriniu įrankiu Jūs dirbsite geriau ir saugiau, jei neviršysite nurodyto galingumo.
- b) **Nenaudokite elektrinio įrankio su sugedusiu jungikliu.** Elektrinis įrankis, kurio nebegalima įjungti ar išjungti, yra pavojingas ir jį reikia remontuoti.
- c) **Prieš reguliuodami prietaisą, keisdami darbo įrankius ar prieš valydami prietaisą, iš elektros**

tinklo lizdo ištraukite kištuką ir/arba išimkite akumuliatorių. Ši saugumo priemonė apsaugos jus nuo netikėto prietaiso įsijungimo.

- d) **Nenaudojama prietaisą sandėliuokite vaikams ir nemokantiems juo naudotis asmenims neprieinamoje vietoje.** Elektriniai įrankiai yra pavojingi, kai juos naudoja nepatyrę asmenys.
- e) **Rūpestingai prižiūrėkite prietaisą. Tikrinkite, ar besisukančios prietaiso dalys tinkamai veikia ir niekur nekliūva, ar nėra sulūžusių ar šiaip pažeistų dalių, kurios įtakotų prietaiso veikimą.** Prieš vėl naudojant prietaisą pažeistos prietaiso dalys turi būti suremontuotos. Daugelio nelaimingų atsitikimų priežastis yra blogai prižiūrimi elektriniai įrankiai.
- f) **Pjovimo įrankiai turi būti aštrūs ir švarūs.** Rūpestingai prižiūrėti pjovimo įrankiai su aštriomis pjaunamosiomis briaunomis mažiau stringa ir juos yra lengviau valdyti.
- g) **Elektrinį įrankį, papildomą įrangą, darbo įrankius ir t. t. naudokite taip, kaip nurodyta šioje instrukcijoje. Taip pat atsižvelkite į darbo sąlygas bei atliekamo darbo pobūdį.** Naudojant elektrinius įrankius ne pagal jų paskirtį galima sukelti pavojingas situacijas.
- 5) **APTARNAVIMAS**
- a) **Prietaisą turi remontuoti tik kvalifikuotas specialistas ir naudoti tik originalias atsargines dalis.** Taip galima garantuoti, jog prietaisas išliks saugus.

DARBŲ SAUGOS NUORODOS DIRBANTIEMS SIAURAPJŪKLAIS

ELEKTROSAUGA

- Visada patikrinkite, ar elektros tinklo įtampa sutampa su įtampos dydžiu, nurodytu prietaiso vardinėje lentelėje
- Prietaisą su pažeistu kabeliu naudoti draudžiama; jį turi pakeisti kvalifikuotas elektrikas
- Jei dirbant bus pažeistas ar nutrauktas kabelis, būtina noliečiant kabelio tuojau pat ištraukti kištuką iš elektros tinklo lizdo
- Naudodami ilginamuosius kabelius atkreipkite dėmesį į tai, kad kabelis būtų iki galo išvyniotas ir būtų pritaikytas 16 A elektros srovei

ŽMONIŲ SAUGA

- **Draudžiama apdirbti medžiagas, kurių sudėtyje yra asbesto** (asbestas pasižymi vėžį sukeliančiu poveikiu)
- Šį prietaisą turėtų naudoti tik asmenys, kuriems 16 ir daugiau metų
- Darbo metu triukšmo lygis gali viršyti 85 dB(A); naudoti klausos apsaugos priemones
- Jeigu apdirbant medžiagas susidaro daug drožlių, dirbkite su apsauginiais akiniais
- Kai kurių medžiagų, kaip antai dažų, kurių sudėtyje yra švino, kai kurių medžių rūšių medienos, mineralų ir metalo dulksės gali būti kenksmingos (kontaktais su šiomis dulksėmis arba įkvėptos dulksės gali sukelti operatoriui arba šalia esantiems žmonėms alergines reakcijas ir/arba kvėpavimo sistemos susirgimus); **mūvėkite priešdulkinę puskaukę arba dirbdami naudokite dulkių ištraukimo įrenginį, jei jį galima prijungti**
- Kai kurių rūšių dulksės priskiriamos kancerogeninėms (pvz., ažuolo arba buko medienos dulksės), ypač susimaišiusios su medienos taurinimui naudojamais priedais; **mūvėkite priešdulkinę puskaukę arba**

dirbdami naudokite dulkių ištraukimo įrenginį, jei jį galima prijungti

- Vadovaukitės Jūsų šalyje taikomų direktyvų reikalavimais, skirtais medžiagoms, su kuriomis norite dirbti
- **Prieš reguliuojant prietaisą arba keičiant darbo įrankius, ištraukite kištuką iš el. tinklo lizdo**

PRIEŠ EKSPLOATACIJĄ

- Prieš kiekvieną naudojimą patikrinkite, ar prietaisas nepriekaištingai veikia; atsiradus gedimui, kreipkitės į kvalifikuotą specialistą; prietaiso niekuomet nardykite patys
- Prieš pradėdami pjauti pašalinkite visas pjūvio linijoje esančias kliūtis tiek ruošinio viršuje, tiek ir apačioje
- Saugokite, kad nepažeistumėte prietaiso į ruošinyje esančius varžtus, vinis ir pan; prieš pradėdami darbą juos pašalinkite
- **Saugiai laikykite tvirtinamą dirbinį** (dirbinį, kuris segamas ar kalamas kablių kalimo įrankiais, saugiau laikyti spaustuvu nei ranka)

EKSPLOATACIJA

- **Jei atliekate darbus, kurių metu darbo įrankis gali kliudyti paslėptus elektros laidus arba paties elektrinio įrankio maitinimo laidą, tai elektrinį įrankį laikykite už izoliuotų rankenų** (palietus laidą, kuriuo teka elektros srovė, metalinėse elektrinio įrankio dalyse gali atsirasti įtampa ir trenkti elektros smūgis)
- Pasirūpinkite, kad maitinimo kabelis nebūtų arti besisukančių prietaiso dalių; klokite jį kuo toliau už prietaiso
- Atsiradus mechaninio ar elektrinio pobūdžio trukdžiams, tuojau pat išjunkite prietaisą ir ištraukite kištuką iš elektros tinklo lizdo
- Nekiškite rankų prie pjūklelio, kuomet prietaisas yra įjungtas

PAPILDOMA ĮRANGA

- SKIL gali garantuoti nepriekaištingą prietaiso veikimą tik tuo atveju, jei naudojama originali papildoma įranga ir priedai
- Nenaudokite įtrūkusių, sulenktų ar atšpusių pjūklelių

EKSPLOATACIJA LAUKE

- Prietaisai, su kuriais dirbama lauke, turi būti prijungiami per nuotėkio srovės apsauginį išjungiklį (FI-), kurio suveikimo srovė yra ne didesnė kaip 30 mA; naudokite tik lauko darbams skirtus prailgimo kabelius su hermetiškomis jungtimis

PO EKSPLOATACIJOS

- Prieš padėdami prietaisą jį išjunkite ir palaukite, kol visos besisukančios jo dalys visiškai sustos

NAUDOJIMAS

- Įjungimas/išjungimas ④
- Jungiklio fiksavimas ilgalaikiam darbui ⑤
- Pjūklelio įdėjimas bei keitimas ⑥
- **! prieš įverždami pjūklelį įstumkite iki galo, danteliais į priekį ⑦**
- Pjovimas pavertus pjūklelį 15°/30°/45° kampu ⑧
- Dulkių nusiurbimas ⑨a
- **! nenaudokite dulkių nusiurbimo pjaudami metalą**
- Dulkių nupūtimas ⑨b

- Prietaiso naudojimas
 - prieš įjungiant prietaisą atraminė plokštė priekine dalimi turi būti uždėta ant ruošinio
 - prietaisą visuomet laikykite abiem rankomis, kad dirbdami galėtumėte jį kontroliuoti
- **! dirbdami laikykite prietaisą už pilkos spalvos suėmimo vietos(-ų) ⑩**
- įsitinkite, kad atraminė plokštė pjovimo metu yra visu paviršiumi priglundusi prie ruošinio
- **! prieš atitraukdami prietaisą nuo ruošinio įsitinkite, kad pjūkle diskas visiškai sustojo**
- ventiliacinės angas C ⑫ laikykite neuždengtas

NAUDOJIMO PATARIMAI

- Naudokite tinkamus pjūklelius ⑪
- **! prietaisui tinka beveik visi įprastiniai pjūkleliai su T formos arba U formos kotu ⑫**
- Pjaudami metalą periodiškai sutepkite pjūklelį alyva
- Norėdami lygiai išpjauti tiesią liniją, kaip liniuotę galite panaudoti tiesią medinę juostelę, prie kurios priglaudę atraminės plokštės kraštą, veskite prietaisą pjūvio linijos kryptimi ⑬
- Norėdami padaryti išpjovą viduryje ruošinio, prieš tai išgręžkite jame skylę ⑭
- Pjovimas be atplaišų
 - prieš pjaudami pjūvio liniją užklijuokite keliais sluoksniais lipnios juostos
 - apverskite ruošinį gerąja puse į apačią
- Daugiau patarimų rasite internete www.skil.com

PRIEŽIŪRA / SERVISAS

- Šis prietaisas neskirtas profesionaliam naudojimui
- Periodiškai valykite prietaisą ir kabelį (ypač ventiliacines angas C ⑫)
- **! prieš valydami ištraukite kištuką iš elektros tinklo lizdo**
- Jeigu prietaisas, nepaisant gamykloje atliekamo kruopštaus gamybos ir kontrolės proceso, vis dėlto sugestų, jo remontas turi būti atliekamas įgaliotose SKIL elektrinių įrankių remonto dirbtuvėse
- **neišardytą** prietaisą kartu su pirkimo čekiu siųskite tiekėjui arba į artimiausią SKIL firmos įgaliotą elektros prietaisų techninio aptarnavimo tarnybą (adresus bei atsarginių dalių brėžinius rasite www.skil.com)

APLINKOSAUGA

- **Nemeskite elektrinių įrankių, papildomos įrangos ir pakuotės į buitinių atliekų kontenerius** (galioja tik ES valstybėms)
- pagal ES Direktyvą 2012/19/EG dėl naudotų elektrinių ir elektroninių prietaisų atliekų utilizavimo ir pagal vietinius valstybės įstatymus atitarnavę elektriniai įrankiai turi būti surenkami atskirai ir gabenami į antrinių žaliavų tvarkymo vietas, kur jie turi būti sunaikinami ar perdirbami aplinkai nekenksmingu būdu
- apie tai primins simbolis ⑮, kai reikės išmesti atitarnavusį prietaisą

АТИТИКТАС ДЕКЛАРАЦИЈА C E

Siaurapjūklas 4285

Techniniai duomenys ①

- Atsakingai pareiškiamo, kad skyruije "Techniniai duomenys" aprašytas gaminytis atitinka žemiau pateiktus standartus ir norminius dokumentus: EN 60745, EN 61000, EN 55014 pagal direktyvų 2014/30/ES, 2006/42/EB, 2011/65/ES reikalavimus
- **Techninė byla laikoma:** SKIL Europe BV (PT-SEU/ENG1), 4825 BD Breda, NL

Marijn van der Hoofden
Operations & Engineering

Olaf Dijkgraaf
Approval Manager

SKIL Europe BV, 4825 BD Breda, NL

02.02.2015

TRIUKŠMINGUMAS/VIBRACIJA

- Šio prietaiso triukšmingumas buvo išmatuotas pagal EN 60745 reikalavimus; keliamo triukšmo garso slėgio lygis siekia 84 dB(A) ir akustinio galingumo lygis 95 dB(A) (standartinis nuokrypis: 3 dB), ir vibracijos * m/s² (trijų krypčių atstojamasis vektorius; paklaida K = 1,5 m/s²)
 - * įjaudami medžią 11,9 m/s²
 - * įjaudami metalą 12,4 m/s²
 - Vibracijos sklaidos lygis išmatuotas pagal standarte EN 60745 išdėstytus standartizuoto bandymo reikalavimus; ši vertė gali būti naudojama vienam įrankiui palyginti su kitu bei išankstiniams vibracijos poveikiui įvertinti, kai įrankis naudojamas paminėtais būdais
 - naudojant įrankį kitokiais būdais arba su kitokiais bei netinkamai prižiūrimais priedais, gali žymiai **padidėti** poveikio lygis
 - laikotarpiams, kai įrankis išjungtas arba yra įjungtas, tačiau juo nedirbama, gali žymiai **sumažėti** poveikio lygis
- ! apsisaugokite nuo vibracijos poveikio prižiūradami įrankį ir jo priedus, laikydami rankas šiltai ir derindami darbo ciklus su pertraukėlėmis**

МК

Убодна пила

4285

УПАТСТВО

- Овој алат е наменет за пресекување и отсекување на дрво, пластика, метал; се користи за право сечење и сечење под агол до 45 степени
- Овој алат не е наменет за професионална употреба
- Внимателно прочитајте го и зачувајте го ова упатство за ракување ③

ТЕХНИЧКИ ПОДАТОЦИ ①

ЕЛЕМЕНТИ НА АЛАТОТ ②

- A** Прекинувач за вклучување/исклучување и контрола на брзината
- B** Копче за блокирање на прекинувачот
- C** Отвори за вентилација
- D** Лежиште за хексагонален клуч

БЕЗБЕДНОСТ

ОПШТИ УПАТСТВА ЗА БЕЗБЕДНОСТ

⚠ ПРЕДУПРЕДУВАЊЕ! Сите упатства мора да се прочитаат. Непочитување на долу наведените упатства може да предизвика струен удар, пожар и/или тешки повреди. **Чувајте ги сите предупредувања и напатствија за во иднина.** Поимот "електричен алат", кој се користи во понатамошниот текст, се однесува на вашиот електричен алат (со приклучен кабел) и на електрични алати со погон на батерии (без приклучен кабел).

1) БЕЗБЕДНОСТ НА РАБОТНОТО МЕСТО

- a) Одржувајте го вашето работно место чисто и уредно.** Неуреден или темен работен простор може да предизвикаат незгоди.
- b) Немојте да работите со уредот во средина во која има опасност од експлозија, во која има запаливи течности, гасови и прашина.** Електричните алати произведуваат искри кои можат да запалат прашина или пареа.
- c) За време на употребата на електричниот алат, децата и останатите лица држете ги подалеку од местото каде работите.** Одвраќање, би можеле да изгубите контрола врз уредот.

2) ЕЛЕКТРИЧНА СИГУРНОСТ

- a) Утикач мора да одговара на приклучокот. Никано не смее да се прават измени на штекерот. Не користете адаптерски штекер заедно со уредот кој е заштитно заземјен.** Не променети штекери и соодветни приклучоци го намалуваат ризикот од електричен удар.
- b) Избегнувајте допир на телото со заземјени површини, како што се цевки, радијатори, рерни и фрижидери.** Постои зголемена опасност од струен удар, доколку Вашето тело е заземјено.
- c) Чувајте го уредот подалеку од дожд и влага.** Продирањето на вода во електричниот уред ја зголемува опасноста од струен удар.
- d) Не злоупотребувајте го приклучниот кабел за носење, бесење на уредот или за извлекување на штекерот од мрежниот приклучок. Чувајте го кабелот подалеку од топлина, масло, остри рабови или деловите на апаратот кои се движат.** Оштетени или заплеткани кабли ја зголемуваат опасноста од струен удар.
- e) Кога го употребувате полначот надвор, користете продолжен кабел кој е соодветен за употреба на отворен простор.** Примената на продолжен кабел соодветен за работа на отворен простор ја намалува опасноста од струен удар.
- f) Доколку не може да се избегне работа со електричниот алат во влажна средина,**

користете прекинувач за струјна заштита при технички проблеми. Употребата на прекинувачот за струјна заштита при технички проблеми го намалува ризикот од електричен удар.

3) БЕЗБЕДНОСТ НА ЛУГЕ

- a) **Бидете внимателни, внимавајте што правите и постапувајте внимателно додека работите со електричниот алат. Не работете со уредот доколку сте уморни или под дејство на дрога, алкохол или лекови.** Еден момент на невнимание при употребата може да доведе до сериозни повреди.
 - b) **Носете ја личната заштитна опрема и секогаш носете заштитни очила.** Носењето на личната заштитна опрема, како што е маската за прашина, безбедносната облека која не се лизга, заштитен шлем или штитник за слух, зависно од видот и примената на електричниот алат, ја намалува опасноста од повреда.
 - c) **Избегнувајте невнимателно вклучување за време на работата. Осигурајте се прекинувачот да биде во “OFF” позиција пред да го ставите штекерот во приклучокот.** Доколку го носите електричниот алат со прстот на прекинувачот или го приклучувате апаратот кој е приклучен со напојување на струја, може да предизвикате незгоди.
 - d) **Пред вклучување на уредот, тргнете ги алатите за подесување или клучот за навртување.** Алатот или клучот кој се наоѓа во вртливост дел на уредот, може да предизвика незгода.
 - e) **Не ги преценувајте своите способности. Завземете сигурен и стабилен став и во секој момент одржувајте рамнотежа.** На тој начин можете подобро да го контролирате уредот во неочекувани ситуации.
 - f) **Носете соодветна облека. Не носете широка облека или накит. Носата, облеката и ракавиците држете ги подалеку од деловите кои се движат.** Комотната облека, накитот или долгата коса може да бидат фатени во деловите кои се движат.
 - g) **Доколку може да се монтираат направи за вшмукување и фаќање прашина, проверете дали се вклучени и дали можат исправно да се користат.** Примената на овие направи ја намалува опасноста од пращината.
- ### 4) ВНИМАТЕЛНА УПОТРЕБА И РАКУВАЊЕ СО ЕЛЕКТРИЧНИТЕ АЛАТИ
- a) **Не го преоптеретувајте уредот. При вашата работа користете го предвидениот електричен алат за таа употреба.** Со соодветниот електричен алат ќе работите подобро и посигурно во наведената функционална област.
 - b) **Не користете електричен алат кој повеќе не може да се вклучува и исклучува е опасен и мора да се поправи.**
 - c) **Извлечете го штекерот од приклучокот пред извршување на било какви подесувања на апаратот, замена на приборот или складирање.** Со овие мерки на внимателност ќе се избегне невнимателното вклучување на уредот.

- d) **Тргнете го електричниот алат кој не го користите од допирот на децата. Не допуштајте работа со уредот на лица кои не се запознаени со него или кои го немаат прочитано ова упатство.** Електричните алати се опасни доколку со нив работат неискусни лица.
- e) **Одржувајте го уредот со внимание. Имајте контрола околу тоа дали движечките делови на уредот работат беспрекорно и дали не се заглавени, дали деловите се скршени или оштетени до таа мерна што не може да се обезбеди функционирање на уредот. Пред примената, овие оштетени делови треба да се поправат.** Причина за многу незгоди е лошо одржуваниот електричен алат.
- f) **Алатите за сечење одржувајте ги остри и чисти.** Внимателно одржуваните алати за сечење со остри отцрици помалку ќе се заглавуваат и со нив работата ќе биде полесна.
- g) **Електричниот алат, прибор, работни алати итн., треба да ги користите според овие упатства, и на начин кој е опишан за соодветниот тип на уред. При тоа, земете ги предвид работните услови и работата која се извршува.** Употребата на електричните алати за други цели кои не се предвидени, може да предизвика опасни ситуации.

5) СЕРВИСИРАЊЕ

- a) **Поправката на Вашиот уред препуштете им ја само на обучен, стручен кадар на овластен сервисер, и само со оригиналните резервни делови.** На тој начин ќе се обезбеди уредот да остане со зачувана безбедност.

УПАТСТВО ЗА БЕЗБЕДНА РАБОТА СО УБОДНАТА ПИЛА

ЕЛЕКТРИЧНА БЕЗБЕДНОСТ

- Секогаш проверувајте напонот да е ист со оној кој е назначен на плочката на алатот
 - Никогаш не користете алат ако кабелот е оштетен; замената на кабелот мора да ја изврши стручно лице
 - Ако кабелот се оштети или пресече за време на работата, веднаш исклучете го и не го допирајте
 - Продолжениот кабел кој го користите, мора да биде со сема одмотан и безбеден, со капацитет од 16 А
- ### ЛИЧНА ЗАШТИТА
- **Не обработувајте никанов материјал кој содржи азбест** (азбестот важи за предизвикувач на рак)
 - Овој алат не треба да го користат лица под 16 години
 - Нивото на бучава додека работите може да изнесува повеќе од 85 dB(A); носете заштита за ушите
 - Носете очила кога работете со материјали што создаваат струготини
 - Прашината од материјали како боја која содржи олово, некои видови дрво, минерали и метали, може да биде штетна за здравјето (контактот со пращината или нејзиното вдишување може да шредизвика алергии и/или болести на дишните органи за оној кој работи со алатот или луѓето во близина); носете маска за прашина и работете со правосмукални доколку можете да ги поврзете
 - Некои видови на прашина се канцерогени (како на пример пращината од даб или бука), особено заедно

со адитиви за одржување на дрвото; **носете масна за прашина и работете со правосмунални доколку можете да ги поврзете**

- Следете ги процедурите на вашата земја за прашина која се јавува како резултат од материјалите со кои работите
- **Обезбедете се алатот да е исклучен од струја пред да вршите било какво подесување или замена на приборот**

ПРЕД УПОТРЕБА

- Проверувајте ја функционалноста на машината пред секоја употреба и во случај на дефект, повикајте квалификувано лице да ја поправи. Никога не отворајте ја машината сами
- Пред да почнете со сечење, отстранете ги сите пречки на и под местото каде сечете
- Избегнувајте оштетувања од штрафови, шајки и други предмети во местото каде работите; тргнете ги пред да почнете со работа
- **Зацврстете го материјалот кој го обработувате** (обработка која е зацврстена со стеги или во менгема е побезбедна отколку да ја држите со раце)

ВО ТЕКОТ НА УПОТРЕБАТА

- **Држете го алатот за изолираните површини за зафаќање кога извршувате работа при која што дополнителната опрема за сечење може да дојде во контакт со скриените жици или со кабелот** (ако дополнителната опрема за сечење дојдат во контакт со жица под напон може да ги електрифицираат металните делови на алатот и да предизвикаат електричен удар на операторот)
- Кабелот секогаш држете го подалеку од деловите на алатот кои се движат; кабелот држете го на задната страна, на страна од алатот
- Во случај да дојде до електричен или механички дефект, веднаш исклучете го алатот и исклучете го од приклучокот
- Држете ги рацете подалеку од сечивото кога работите со електричен алат

ПРИБОР

- SKIL може да признае гаранција само доколку е користен оригинален прибор
- Не користете сечиво што е напукнато, деформирано или тапо

КОРИСТЕЊЕ НА ОТВОРЕНО

- Кога го користите на отворено, поврзете го алатот преку осигурувач за струја (FI) за погрешно напојување во струја за прекинување со максимум 30 mA и користете продолжен кабел којшто е наменет за употреба на отворено и опремен со водоотпорен приклучок

ПО УПОТРЕБА

- Кога ќе ја завршите работата со алатот, исклучете го моторот и проверете дали сите подвижни делови се застанати

УПОТРЕБА

- Вклучено/Исклучено ④
- Блокирање на прекинувачот за постојана употреба ⑤
- Промена на сечивото ⑥
- ! **уфрлете го сечивото до полна длабочина со зацпите свртени напред** ⑦

- Дупчење на 15 / 30 / 45 степени ⑧
- Смукалка за прашина ⑨a
- ! **не користете правосмуналната кога сечете метал**
- Отпрашувач ⑨b
- Работа со алатот
 - пред да го вклучите моторот проверете дали предниот дел на работната плоча е поставен рамно на работното место
 - цврсто држете ја машината со двете раце за да имате постојано целосна контрола врз неа
 - ! **додена работите, секогаш држете го алатот за местото (местата) кое (кои) се означени со сива боја** ⑩
 - уверете се дека целата површина на работната плоча лежи цврсто на работното место
 - ! **пред да го подигнете електричниот алат од местото на кое се работи, проверете дали е дојдено до целосен прекин на работата на сечилото**
 - отворите за ладење C ② држете ги отворени

СОВЕТИ ЗА ПРИМЕНА

- Користете соодветни сечила ⑪
- ! **алатот ги прифаќа повеќето достапни сечила со крак од типот T и типот U** ⑫
- Кога сечете метал ставете сечиво подмачкано со масло
- За кое било прецизно право сечење, поставете го алатот со работната плоча потпрена на водилка (на пр. парче право дрво) ⑬
- Пред да исечете отвор направете дупка ⑭
- Сечење без поткршени рабови
 - прекријте ја линијата на сечењето со повеќеслојни или широки ленти пред да почнете со сечењето
 - лицето на материјалот е свртено надолу на работното место
- Многу други совети можете да најдете на www.skil.com


ОДРЖУВАЊЕ/СЕРВИСИРАЊЕ

- Овој алат не е наменет за професионална употреба
- Алатот и кабелот секогаш да се одржуваат чисти (особено отворите за ладење C ②)
- ! **пред чистење извадете го алатот од приклучокот**
- Доколку алатот и покрај внимателното работење и контрола некогаш откаже, поправката мора да ја изврши некој овластен SKIL сервис за електрични алати
 - во случај на примедба, испратете го алатот **нерасклопен**, заедно со сметкопотврдата, до вашиот продавач или најблискиот SKIL сервис (адресите се наведени на www.skil.com)

ЗАШТИТА НА ЖИВОТНАТА СРЕДИНА


- **Не се ослободувајте од електрични алати, уреди или амбалажа преку нивно фрлање во домашното губре** (само за земјите на ЕУ) - според Европската Директива 2012/19/ЕС за ослободување од електрична и електронска

опрема и нејзина имплементација во согласност со националните закони, електричните алати кои го достигнале крајот на својот животен век мора да бидат собрани посебно и да бидат вратени во соодветен објект за рециклирање

- симболот  ќе ве потсетува на ова кога ќе дојде време алатот да го фрлите

ДЕКЛАРАЦИЈА ЗА УСОГЛАСЕНОСТ

Убодна пила 4285

Технички податоци 

- Со целосна одговорност изјавуваме дека производот опишан кај "Технички податоци" е усогласен со следните стандарди или документи за стандардизација: EN 60745, EN 61000, EN 55014 во согласност со одредбите во директивите 2014/30/EU, 2006/42/EG, 2011/65/EU
- **Техничко досије во:** SKIL Europe BV (PT-SEU/EN61), 4825 BD Breda, NL

Marijn van der Hoofden
Operations & Engineering

Olaf Dijkgraaf
Approval Manager

SKIL Europe BV, 4825 BD Breda, NL

02.02.2015

БУЧАВА/ВИБРАЦИИ


- Мерено во согласност со EN 60745 нивото на звучен притисок е 84 dB(A) а нивото на звучна моќност 95 dB(A) (стандардно отстапување: 3 dB), и вибрација * m/c^2 (векторски збир на трите показатели; несигурност $K = 1.5 m/c^2$)
 - * кога сечете дрво $11,9 m/s^2$
 - * кога сечете метал $12,4 m/s^2$
 - Нивото на емитурање на вибрации кое е наведено на задниот дел на ова упатство е измерено во согласност со стандардизираниот тест даден во EN 60745; може да се користи за да се спореди еден алат со друг, и како првична оценка за изложеноста на вибрации кога се користи алатот за споменатите примени
 - користењето на алатот за разни примени, или со различни или неправилно чувани делови, може да доведе до значајно **зголемување** на нивото на изложеност
 - кога алатот е исклучен или кога алатот е вклучен но не врши некаква работа, може да дојде до значително **намалување** на нивото а изложеност
- ! заштитете се од ефектите на вибрациите преку одржување на алатот и неговите делови, одржување на топлината во вашите раце, и организирање на вашата работа**

AL

Sharrë sege

4285

HYRJE

- Kjo pajisje është e projektuar për kryerjen e prerjeve tejpërtej dhe të çarave në dru, plastikë, metal, dhe është e përshtatshme për prerje të drejta dhe me hark me kënde me kllapë 45°
- Kjo vegël nuk është e projektuar për përdorim profesional
- Lexoni dhe ruani këtë manual të përdorimit 

TË DHËNAT TEKNIKE

ELEMENTET E PAJISJES

- A Çelësi për ndezje/fikje
- B Butoni për bllokimin e çelësit
- C Të çarat e ajrosjes
- D Vendi i ruajtjes së çelësit heksagonal

SIGURIA

UDHËZIMET E PËRGJITHSHME PËR SIGURINË

PARALAJMËRIM! Lexoni të gjitha paralajmërimet e sigurisë dhe të gjitha udhëzimet. Mosrespektimi i paralajmërimeve dhe udhëzimeve mund të rezultojë në goditje elektrike, zjarr dhe/ose dëmtime të rënda. **Ruani të gjitha paralajmërimet dhe udhëzimet për referencë në të ardhmen.** Termi "pajisje elektrike" në paralajmërimet e referohet pajisjes elektrike që përdoret nga priza (me kablo) ose pajisjes elektrike me bateri (pa kablo).

1) SIGURIA E ZONËS SË PUNËS

- a) **Mbajeni zonën e punës të pastër dhe të ndriçuar mirë.** Zonat e çrregullta ose të errëta janë një ftesë për aksidente.
- b) **Mos i përdorni pajisjet elektrike në situata me mundësi shpërthimi, si në prani të lëngjeve, gazeve ose pluhurave të djegshëm.** Pajisjet elektrike shkaktojnë shkëndija që mund të ndezin pluhurat ose avujt.
- c) **Mbajni fëmijët dhe personat e tjerë larg gjatë përdorimit të veglës së punës.** Tërheqja e vëmendjes mund të shkaktojë humbjen e kontrollit.

2) SIGURIA ELEKTRIKE

- a) **Spinat e veglës së punës duhet të përputhen me prizën.** Mos modifikoni kurrë spinën në asnjë mënyrë. Mos përdorni asnjë spinë përshtatëse me veglat e punës me tokëzim. Spinat e pamodifikuara dhe prizat përshtatëse do të zvogëlojnë rrezikun e goditjes elektrike.
- b) **Shmangni kontaktin trupor me sipërfaqe të tokëzuara si tuba, radiatorë, soba dhe frigoriferë.** Ka një rrezik më të madh të goditjeve elektrike nëse trupi është i tokëzuar.
- c) **Mos ekspozoni veglat e punës në shi ose në kushte me lagështi.** Uji që hyn në veglën e punës do të rritë rrezikun e goditjes elektrike.

- d) **Mos abazoni me kordonin. Mos e përdorni kurrë kordonin për transportin, tërheqjen ose heqjen e spinës së veglës së punës.** Mbajeni kordonin larg nga nxehtësia, vaji, anët e mprehta ose pjesët që lëvizin. Kordonët e dëmtuar ose e bllokuar trisin rrezikun e goditjes elektrike.
- e) **Kur përdorni një vegël pune në mjedise të jashtme, përdorni një kordon zgjatues të përshtatshëm për përdorim në mjedise të jashtme.** Përdorimi i një kordoni të përshtatshëm për përdorime në mjedise të jashtme zvogëlon rrezikun e goditjes elektrike.
- f) **Nëse përdorimi i veglës së punës në një vend me lagështi është i pashmangshëm, përdorni një automat qarku me shkarkesë me tokëzim.** Përdorimi i një automati me shkarkesë me tokëzim zvogëlon rrezikun e goditjes elektrike.

3) SIGURIA PERSONALE

- a) **Qëndroni në gatishmëri, shikoni se çfarë po bëni dhe përdorni gjykimin kur përdorni një vegël pune. Mos e përdorni një vegël pune kur jeni i lodhur ose nën ndikimin e ilaçeve, alkoolit ose mjekimit.** Një moment humbjeje e vëmendjes gjatë përdorimit të veglave të punës mund të shkaktojë dëmtime të rënda personale.
- b) **Përdorni pajisje personale mbrojtëse. Mbani gjithmonë pajisje për mbrojtjen e syve.** Pajisjet mbrojtëse si maska kundër pluhurit, këpuçet që nuk rrëshqasin, kaskat ose pajisjet për mbrojtjen e veshëve për kushtet përkatëse do të zvogëlojnë dëmtimet personale.
- c) **Parandaloni ndezjen e rastësishme. Sigurohuni që çelësi është në pozicionin fikur para se të lidhni burimi e energjisë dhe/ose baterinë, para se të merrni ose të transportoni pajisjen.** Transportimi i veglave të punës me gishtin në çelës ose aktivizimi i veglave të punës që kanë çelësin të ndezur është një ftesë për aksidente.
- d) **Hiqni çdo çelës ose çelës përshtatës para ndezjes së veglës së punës.** Një çelës i lënë i lidhur me një pjesë rrotulluese të veglës së punës mund të shkaktojë dëmtime personale.
- e) **Mos u zgjasni. Mbani një vendosje të mirë të këmbëve dhe një ekuilibër të mirë në çdo moment.** Kjo gjë bën të mundur një kontroll më të mirë të veglës së punës në situata të papritura.
- f) **Vishuni në mënyrën e duhur. Mos vishni veshje të gjera ose bizhuteri. Mbani flokët, veshjet dhe dorashkat larg nga pjesët lëvizëse.** Veshjet e gjera, bizhuteritë ose flokët e gjatë mund të kapen nga pjesët në lëvizje.
- g) **Nëse janë ofruar pajisje për lidhjen e pajisjeve të mbledhjes dhe nxjerrjes së pluhurave, sigurohuni që ato të jenë të lidhura dhe të përdoren si duhet.** Përdorimi i mbledhjes së pluhurave mund të zvogëlojë rrezikun në lidhje me pluhurat.
- 4) **PËRDORIMI DHE KUJDESI PËR VEGLËN E PUNËS**
- a) **Mos ushtroni forcë mbi veglën e punës. Përdorni veglën e punës të duhur për përdorimin tuaj.** Vegla e punës e duhur do të realizojë një punë më të mirë dhe më të sigurt dhe me shpejtësinë që ajo është e projektuar.
- b) **Mos përdorni veglën e punës nëse çelësi nuk e ndez apo e fik.** Çdo vegël pune që nuk mund të kontrollohet

me anë të çelësit është e rrezikshme dhe duhet të riparohet.

- c) **Shkëputni spinën nga burimi i energjisë dhe/ose baterinë nga vegla e punës para se të bëni rregullime të tjera, të ndryshoni aksesorët ose të ruani veglat e punës.** Këto masa parandaluese të sigurisë ulin rrezikun e ndezjes aksidentale të veglës së punës.
- d) **Mbani veglat e punës larg fëmijëve dhe mos lejoni personat e pamësuar me veglën e punës ose këto udhëzime për përdorimin e pajisjes.** Veglat e punës janë të rrezikshme në duart e përdoruesve të patrajnuar.
- e) **Mirëmbani veglat e punës. Kontrolloni për mospërshatje ose bllokim të pjesëve lëvizëse, thyerje të pjesëve dhe gjendje të tjera që mund të ndikojnë në funksionimin e veglës së punës. Nëse dëmtohet, riparoheni veglën e punës para përdorimit.** Shumë aksidente shkaktohen nga veglat e punës jo të mirëmbajtura si duhet.
- f) **Mbajini pajisjet prerëse të pastra dhe të mprehta.** Pajisjet e prerjes të mirëmbajtura dhe me anë të mprehta kanë më pak mundësi për t'u bllokuar dhe janë më të lehta për t'u kontrolluar.
- g) **Përdorni veglat e punës, aksesorët dhe puntot, etj. në përputhje me këto udhëzime, duke marrë parasysh kushtet e punës dhe punën që do të kryhet.** Përdorimi i veglave për përdorime të ndryshme nga ato të përcaktuara mund të shkaktojë rreziqe.
- 5) **SHËRBIMI**
- a) **Shërbimi i veglës së punës duhet të kryhet nga një person i kualifikuar për riparimet duke përdorur vetëm pjesë ndërrimi identike.** Kjo gjë do të sigurojë ruajtjen e sigurisë së veglave të punës.

UDHËZIMET E SIGURISË PËR SHARRAT SEGE

SIGURIA ELEKTRIKE

- Kontrolloni gjithmonë që voltazhi i energjisë është i njëjtë me voltazhin e treguar në etiketën e veglës
- Mos e përdorni kurrë veglën kur kordoni është i dëmtuar; zëvendësojeni nga një person i kualifikuar
- Nëse kordoni dëmtohet ose pritet gjatë punës, mos e prekni kordonin por hiqni menjëherë spinën
- Përdorni kordonë të pahapur dhe të sigurt për zgjatime, me një kapacitet 16 amper

SIGURIA PERSONALE

- **Mos punoni me materiale që përmbajnë asbest** (asbesti konsiderohet kancerogjen)
- Kjo pajisje nuk duhet të përdoret nga personat nën moshën 16 vjeç
- Nivelit i zhurmës gjatë punës mund të kalojë 85 dB(A); mbani mbrojtëse për veshët
- Mbani syze mbrojtëse kur punoni me materiale që krijojnë ashkla
- Pluhurat nga materialet si boja me plumb, disa lloje drurësh, mineralesh dhe metalesh mund të jenë të dëmshme (kontakti ose thithja e pluhurave mund të shkaktojë reagime alergjike dhe/ose sëmundje respiratore për përdoruesin ose personat përreth); **mbani një maskë për pluhurat dhe punoni me një pajisje për heqjen e pluhurave kur mund të lidhet**
- Disa lloje pluhurash kanë klasifikuar si kancerogjene (si pluhuri i lisit dhe i ahut) veçanërisht në ndërthurje me

lëndët shtesë për kondicionimin e drurit; **mbani një maskë për pluhurat dhe punoni me një pajisje për heqjen e pluhurave kur mund të lidhet**

- Respektoni kërkesat kombëtare në lidhje me pluhurat për materialet me të cilat dëshironi të punoni
- **Shkëputni gjithmonë spinën nga burimi i energjisë para kryerjes së rregullimeve ose ndryshimeve të aksesoreve**

PARA PËRDORIMIT

- Kontrolloni funksionimin e pajisjes para çdo përdorimi dhe, në rast defekti, riparoheni nga një person i kualifikuar; mos e hapni kurrë vetë pajisjen
- Hiqni të gjitha pengesat mbi si dhe poshtë në rrugën e prerjes para se të filloni prerjen
- Shmangni dëmtimet që mund të shkaktohen nga vidat, gozhdët dhe elementet e tjera në materialin e punës; hiqni ato para se të filloni punën
- **Sigurori materialin e punës** (një material i shtrënguar me një pajisje shtrëngimi ose morsë mbahet në mënyrë më të sigurt se sa me dorë)

GJATË PËRDORIMIT

- **Mbajeni veglën e punës nga sipërfaqet e izoluarat e kapjes kur kryeni një veprim ku aksori i prerjes mund të bjerë në kontakt me tela të fshehur ose kordonin e tij** (një aksori i prerjes që bie në kontakt me një tel elektrik mund të bëjë që pjesët metalike të ekspozuara të pajisjes të transmetojnë elektricitetin dhe të shkaktojnë goditjen elektrike të përdoruesit)
- Mbajeni gjithmonë kordonin larg nga pjesët e lëvizshme të veglës; drejtojeni kordonin në anën e pasme, larg nga vegla
- Në rast të një defekti elektrik ose mekanik, fikni menjëherë pajisjen dhe hiqni spinën
- Mbajini duart larg nga thika e sharrës kur pajisja është në përdorim

AKSESORËT

- SKIL mund të garantojë funksionimin pa probleme të veglës vetëm kur përdoren aksesorët origjinalë
- Mos përdorni një thika sharre që është e krisur, e deformuar ose jo e mprehtë

PËRDORIMI NË AMBIENTE TË JASHTME

- Kur e përdorni në ambiente të jashtme, lidhni pajisjen me një automat të korrentit të defektit (FI) me rrymë aktivizuese maksimumi 30 mA, dhe përdorni vetëm një kordon zgjatues të projektuar për përdorim në ambiente të jashtme me një prizë kundër ujit

PAS PËRDORIMIT

- Kur ta largoni pajisjen, fikeni motorin dhe sigurohuni që të gjitha pjesët lëvizëse të kenë ndalur plotësisht

PËRDORIMI

- Ndezje/Fikje ④
- Bllokimi i gelësit për përdorim në vazhdim ⑤
- Ndërrimi i thikave të sharrës ⑥
- **! futeni thikën deri në fund me dhëmbët përpara** ⑦
- Sharrimi në 15°/30°/45° ⑧
- Thithja e pluhurave ⑨ a
- **! mos përdorni një fshesë më korrent kur prisni metale**
- Fryrja e pluhurave ⑨ b

- Funksionimi i veglës
 - para se ta ndizni pajisjen, sigurohuni që ana përpara e pllakës mbështetëse të jetë rrafsh mbi materialin e punës
 - mbajeni veglën mirë me të dyja duart, në mënyrë që të keni kontroll të plotë të veglës në të gjitha momentet
- **! gjatë punës, mbajeni gjithmonë veglën në zonën(at) e dorezës me ngjyrë gri** ⑩
- sigurohuni që e gjithë sipërfaqja e pllakës mbështetëse të qëndrojë fort mbi materialin e punës
- **! sigurohuni që lama të ketë ndaluar plotësisht para se ta hiqni veglën nga materiali i punës**
- mbajini të çarat e ajrimit C ② të pambuluara

KËSHILLË PËR PËRDORIMIN

- Përdorni thikat e duhura për sharrën ⑪
- **! pajisja pranon thikat më të zakonshme të disponueshme me skaje në formë T dhe U** ⑫
- Kur prisni metale, lubrifikojeni thikën e sharrës rregullisht me vaj
- Për një prerje të drejtë me saktësi, lëvizeni pajisjen me pllakën mbështetëse përgjatë anës së një druri të drejtë ⑬
- Shpuno paraprakisht një vrimë para se të kryeni të çara ⑭
- Prerje pa ashkla
 - mbulojeni vijën e prerjes me disa shtresa ngjitës të gjerë para prerjes
 - vendoseni gjithmonë poshtë anën e mirë të materialit të punës
- Për më shumë këshilla, vizitoni www.skil.com

MIRËMBAJTJA / SHËRBIMI

- Kjo vegël nuk është e projektuar për përdorim profesional
- Mbajeni gjithmonë veglën dhe kordonin të pastër (veçanërisht të çarat e ajrosjes C ②)
- **! shkëputni spinën para pastrimit**
- Nëse pajisja ka defekt pavarësisht kujdesit në prodhim dhe procedurat e provave, riparimi duhet të kryhet nga një qendër e shërbimit pas shitjes për veglat e punës të SKIL
 - dërgoni veglën të **çmontuar** së bashku me vërtetimin e blerjes të shitësit ose të qendra më e afërt e shërbimit e SKIL (adresat si dhe diagrami i shërbimit i veglës janë të paraqitura në www.skil.com)

MJEDISI

- **Mos i dhini veglat elektrike, aksesorët dhe paketimin së bashku me materialet e mbeturinave familjare** (vetëm për vendet e BE-së)
 - në respektim të Direktivës evropiane 2012/19/EC për pajisjet elektrike dhe elektronike si mbetje dhe zbatimin e saj në përputhje me ligjet kombëtare, pajisjet elektrike që kanë arritur në fund të jetëgjatësisë së tyre duhet të mblihen të ndara dhe të kthehen në një objekt riciklimi në përputhje me mjedisin.
 - simboli ⑮ do t'ju kujtojë për këtë gjë kur të jetë nevoja për t'i hedhur

DEKLARATA E KONFORMITETIT CE

Sharrë sege 4285

Të dhënat teknike ①

- Ne deklarojmë me përgjegjësinë tonë të vetme se ky produkt i përshkruar në "Të dhënat teknike" është në përputhje me standardet ose dokumentet e standardizimit si më poshtë: EN 60745, EN 61000, EN 55014 në përputhje me dispozitat e direktivave 2014/30/EU, 2006/42/EC, 2011/65/EU
- **Dosja teknike në:** SKIL Europe BV (PT-SEU/ENG1), 4825 BD Breda, Holandë

Marijn van der Hoofden
Operations & Engineering

Olaf Dijkgraaf
Approval Manager

SKIL Europe BV, 4825 BD Breda, NL

02.02.2015

ZHURMA/VIBRIMI

- E matur në përputhje me EN 60745, niveli i trysnisë së tingullit i kësaj pajisje është 84 dB(A) dhe niveli i fuqisë së tingullit 95 dB(A) (shmangia standarde: 3 dB) dhe vibrimi * m/s^2 (shuma vektor i tre drejtime; pasiguria K = 1,5 m/s^2)
 - * kur prisni dru 11,9 m/s^2
 - * kur prisni metal 12,4 m/s^2
- Niveli i emetimit të vibrimit është matur në përputhje me një provë të standardizuar të dhënë në EN 60745; ajo mund të përdoret për të krahasuar një vegël me një tjetër dhe si një vlerësim paraprak i ekspozimit ndaj vibrimit kur përdorni pajisjen për proceset e përmendura
 - përdorimi i pajisjes për procese të ndryshme, ose me aksesorë të ndryshëm dhe të mirëmbajtur keq, mund të rritë ndjeshëm nivelin e ekspozimit
 - kohët kur pajisja është e fikur dhe kur është e ndezur por jo në punë, mund të zvogëlojnë ndjeshëm nivelin e ekspozimit
- ! **mbron veten nga efektet e vibrimit duke mirëmbajtur pajisjen dhe aksesorët e saj, duke i mbajtur duart e ngrohta dhe duke organizuar mënyrën tuaj të punës**

- اگر ابزار علی‌رغم تمام دقت و مراقبتی که در فرایندهای تولید و تست بکار برده شده از کار افتاد. تعمیرات باید فقط در مراکز خدمات پس از فروش ابزارهای برقی SKIL انجام شود
- ابزار را بصورت **بازنشده** همراه با رسید خرید به فروشنده یا نزدیک ترین مرکز خدمات رسانی SKIL بفرستید (آدرسها به همراه نمودارنقشه های سرویس ابزار در www.skil.com موجود است)

محیط زیست

- ابزارهای برقی. لوازم و متعلقات و بسته بندی آنها را نباید همراه با زباله های عادی خانگی دور انداخت (فقط مخصوص کشورهای عضو اتحادیه اروپا)
- با توجه به مصوبه اروپایی ۲۰۱۲/۱۹/EC اروپا درباره لوازم برقی و الکترونیکی مستعمل و اجرای این مصوبه مطابق با قوانین کشوری. ابزارهای برقی که به پایان عمر مفید خود رسیده اند باید جداگانه جمع آوری شده و به یک مرکز بازیافت مناسب و سازگار با محیط زیست انتقال یابند
- تداومت (۱۵) یادآور این مسئله در هنگام دور انداختن است

اعلامیه مبنی بر رعایت استاندارد CE

اره عمودبر ۴۲۵

اطلاعات فنی ①

- ما بر اساس مسئولیت انحصاری خود اعلام می‌نماییم که محصول شرح داده شده در قسمت «اطلاعات فنی» یا استانداردها یا مستندات استاندارد شده زیر سازگاری و تطابق دارد: EN ۱۰۷۴۵ : EN ۱۱۰۰۰ : EN ۵۵۰۱۴. مطابق با مفاد مصوبات /EU :۲۰۱۴/۳۰ : EN ۲۰۱۱/۱۵/EU : ۲۰۰۷/۱۴/EC
- پرونده فنی در، SKIL Europe BV (PT-SEU/ENG1), ۴۸۲۵ BD Breda

Marijn van der Hoofden
Operations & Engineering

Olaf Dijkgraaf
Approval Manager




SKIL Europe BV, 4825 BD Breda, NL

02.02.2015

صد ارتعاشات

- اندازه گیری ها بر اساس استاندارد EN ۱۰۷۴۵ انجام و مشخص شد که میزان فشار صوتی این ابزار ۸۴ دسی بل و میزان توان صوتی آن ۹۵ دسی بل (با انحراف استاندارد ۳: دسی بل)، و میزان ارتعاشات * می باشد (جمع بردارهای سه جهت K = ۱,۵ متر/مجدور ثانیه)
- * در صورت برش چوب ۱۱,۹ متر/مجدور ثانیه
- * در صورت برش فلزات ۱۲,۴ متر/مجدور ثانیه
- میزان انتشار ارتعاشات بر اساس تست استاندارد شده ای که در EN ۱۰۷۴۵ معرفی شده است اندازه گیری گردید: از این ارقام می توان برای مقایسه یک ابزار با دیگری و بعنوان ارزیابی اولیه در معرض قرارگیری ارتعاشات هنگام کار با ابزار در کاربری های فوق استفاده کرد
- استفاده کردن از ابزار برای کاربردهای متفاوت. یا با لوازم و متعلقات متفاوتترقه یا لوازم و متعلقاتی که بد نگهداری شده اند. می تواند میزان در معرض قرارگیری را بطور قابل ملاحظه ای افزایش دهد
- مواقعی که ابزار خاموش است یا روشن است ولی کاری با آن انجام نمی شود. میزان در معرض قرارگیری بطور قابل توجهی کاهش می یابد
- ! با نگهداری مناسب از ابزار و لوازم و متعلقات آن. گرم نگهداشتن دست های خود. و سازمان دهی طرح های کاری می توانید خود را در برابر اثرات ارتعاش محافظت کنید

ج) از ابزار الکتریکی خوب مراقبت کنید. مواظب باشید که قسمت های متحرک دستگاه خوب کار کرده و گیر نکنند. همچنین دقت کنید که قطعات ابزار الکتریکی شکسته و یا آسیب دیده نباشند. قطعات آسیب دیده را قبل از شروع به کار تعمیر کنید. علت بسیاری از سوانح کاری، عدم مراقبت کامل از ابزارهای الکتریکی می باشد.

ح) ابزار برش را تیز و تمیز نگهدارید. ابزار برشی که خوب مراقبت شده و از لبه های تیز برخوردارند، کمتر در قطعه کار گیر کرده و بهتر قابل هدایت می باشند.

خ) ابزارهای الکتریکی، متعلقات، ابزارهای که روی دستگاه نصب می شوند و غیره را مطابق دستورالعمل این جزوه راهنما طوری به کار بگیرید که با مدل این دستگاه تناسب داشته باشند. همچنین به شرایط کاری و نوع کار توجه کنید. کاربرد ابزار برقی برای موارد کاری که برای آن در نظر گرفته نشده است، میتواند شرایط خطرناکی را منجر شود.

5) سرویس

ا) برای تعمیر ابزار الکتریکی فقط به متخصصین حرفه ای رجوع کرده و از وسایل بدکی اصل استفاده کنید. این باعث خواهد شد که ایمنی دستگاه شما تضمین گردد.

هشدارهای ایمنی برای اهرای عمودبر

ایمنی الکتریکی

- همیشه مطمئن شوید که ولتاژ ورودی دستگاه برابر ولتاژی باشد که روی پلاک دستگاه نوشته شده است
- وقتی که سیم برق ابزار آسیب دیده هرگز از آن استفاده نکنید و از یک فرد متخصص بخواهید آنرا برای شما عوض کند
- اگر سیم برق آسیب دیده با بریده شده باشد، هرگز به سیم دست نزنید. اما فوراً آنرا از پریز بکشید
- سیم های رابط برق باید کاملاً باز شده و ایمن باشند. از سیم هایی با رده بندی 11 آمپر

رعایت ایمنی اشخاص

- با موادی حاوی آزیست کار نکنید (آزیست سرطان زاست)
- افراد کمتر از 16 سال نباید با این دستگاه کار کنند
- میزان صدای تولید شده توسط این ابزار در حین کار می تواند از 85 دسی بل بیشتر شود. از گوشی های محافظ استفاده کنید
- هنگام کار با موادی که ترانشه ایجاد می کنند از عینک های محافظ استفاده کنید
- گرد و خاکی که از موادی مانند رنگ های حاوی سرب، برخی گونه های چوب، مواد معدنی و فلزات بلندی می شود می تواند خطرناک باشد (تاس با این گرد و خاکها و یا تنفس آنها می تواند در کاربران ابزار یا افراد نزدیک به محل کار واکنش های حساسیتی و یا بیماری های تنفسی ایجاد کند): یک ماسک مخصوص گرد و خاک بزنید و در صورت امکان از یک وسیله مکش گرد و خاک استفاده کنید
- برخی از گرد و خاکها (مانند گرد و خاکی که از چوب بلوط یا راش بلندی می شود) علی الخصوص در مجاورت افزودنی های مخصوص چوب، سرطان زا هستند، یک ماسک مخصوص گرد و خاک بزنید و در صورت امکان از یک وسیله مکش گرد و خاک استفاده کنید

از مقررات ملی مربوط به گرد و خاک و ابزار که می خواهید با آنها کار کنید پیروی نمایید

• قبل از هرگونه تنظیم یا تعوض کردن لوازم و ملحمتعلقات حتماً باید سیم برق دستگاه را از پریز بکشید

پیش از استفاده

- عملکرد ابزار را پیش از هر بار استفاده کنترل کرده، در صورت مشاهده اشکال دستگاه را فوراً برای تعمیر نزد یک تعمیرکار ماهر ببرید؛ هرگز خودتان ابزار را باز نکنید
- پیش از شروع برش تمام موانع موجود در بالا یا زیر مسیر برش را بردارید
- پیچ ها، میخ ها و سایر اجزای دیگر می توانند به قطعه کاری شما آسیب بزنند؛ بنابراین پیش از شروع کار آنها را بردارید
- قطعه کاری را محکم کنید (اگر قطعه کاری را با گیره های جاری یا گیره های رومیزی ثابت کنید بسیار مطمئن تر از گرفتن آن با دست خواهد بود)

در حین استفاده

• هنگام استفاده از ابزار در مواردی که امکان دارد متعلقات برش با سیم های پنهان شده یا سیم های خود ابزار تماس پیدا کنند، حتماً ابزار را از جای دست های مخصوص عایق شده بگیرید (تاس متعلقات برش با سیم های "برق دار" می

تواند در بخش های فلزی دستگاه نیز جریان "برق" تولید کرده و موجب شوک برقی استفاده کننده شود)

• همیشه سیم برق را از بخشهای متحرک ابزار دور بگیرید؛ سیم را به سمت پشت، و دور از ابزار بگیرید

• در صورت بروز اشکالات برقی یا مکانیکی، فوراً ابزار را خاموش کرده و سیم برق آنرا از پریز بکشید

• هنگامی که ابزار در حال کار است دست های خود را از تیغه اهر دور نگه دارید

• متعلقات SKIL در صورتی که از متعلقات اصلی استفاده کنید عملکرد بدون مشکل ابزار را تضمین می نماید

• اگر تیغه اهر ترک دارد، تغییر شکل یافته یا کند شده است از آن استفاده نکنید

• استفاده در فضای آزاد

• اگر می خواهید از ابزار در فضای آزاد استفاده کنید، باید ابزار را حتماً با یک مدارشکن جریان خط (FI) یا سقف جریان حداکثر 30 میلی آمپر وصل کرده و فقط از سیم رابط هایی استفاده کنید که مخصوص فضای آزاد بوده و دارای پریز-اتصال ضد ریزش آب می باشند

بعد از استفاده

• وقتی که کار شما با ابزار تمام شد، حتماً موتور آنرا خاموش کرده و مطمئن شوید که تمام بخشهای متحرک آن از حرکت ایستاده اند

استفاده

• روشن/خاموش (4)

• ضامن برای کار پوسته (5)

• عوض کردن تیغه اهر (6)

! تیغه اهر را در حالتی که دندانه های آن به سمت جلو باشند بطور کامل در جای خود قرار دهید (7)

• اهر کاری در 10 درجه 130 درجه 145 درجه (8)

• مکش گرد و غبار (9)

! هنگام بریدن فلزات نباید از چابروبرقی استفاده کنید

• دمض گرد و غبار (10)

• کار کردن با ابزار

- پیش از روشن کردن ابزار اطمینان حاصل کنید که انتهای جلوی صفحه زیرین ابزار صاف روی قطعه کاری قرار می گیرد

- ابزار را خیلی محکم با هر دو دست بگیرید. تا در تمام اوقات روی ابزار کنترل کامل داشته باشید

! هنگام کار باید همیشه ابزار را از دستگیره (های) خاکستری رنگ بگیرید

• (11)

- اطمینان حاصل کنید که سطح کامل صفحه زیرین ابزار محکم روی قطعه کاری قرار می گیرد

! قبل از اینکه ابزار را از قطعه کاری جدا کنید، مطمئن شوید که تیغه به توقف کامل رسیده باشد

- شیارهای تهویه (12) را مسدود نکنید

توصیه های کاربردی

• از تیغه اهر های مناسب استفاده کنید (13)

! ابزار می تواند با اکثر تیغه اهر های با ساق T شکل و تیغه اهر های با ساق L شکل موجود کار کند (14)

• هنگام برش فلزات، تیغه اهر را مرتباً روغن کاری کنید

• برای بدست آوردن برشی صاف و دقیق، صفحه زیرین ابزار را به موازات یک تکه چوب صاف هدایت کنید (15)

• پیش از برش برای بیرون آوردن یک تکه، ابتدا یک سوراخ ایجاد کنید (16)

• برش بدون ترانشه

- خط برش را پیش از شروع برش با چند لایه چسب پهن بپوشانید

- همیشه طرف خوب قطعه کاری را به سمت پایین قرار دهید

• برای نکات بیشتر به www.skil.com مراجعه کنید

نگهداری / سرویس- خدمات

• این ابزار برای مصارف حرفه ای مناسب نیست

• همیشه ابزار و سیم برق را تمیز نگهدارید (بخصوص شیارهای تهویه (17))

! پیش از تمیز کردن سیم برق را از برق بکشید

الضوضاء/الاهتزاز

- عند القياس بالتوافق مع EN 1۰۷۵۵ يكون مستوى ضغط صوت هذه الأداة هو ۸۴ ديسيبل (*) ومستوى طاقة الصوت ۹۵ ديسيبل (ا) (الانحراف المعياري: ۳ ديسيبل).
- والاهتزاز* (مجموع المتجهات بثلاثة: K غير مؤكد ۱,۵ = م/ث^۲)
- * عند قطع الأخشاب ۱۱,۹ م/ث^۲
- * عند قطع العادن ۱۲,۴ م/ث^۲
- تم قياس مستوى الاهتزازات بالتوافق مع الاختيار المعياري المحدد في EN 1۰۷۵۵؛ يمكن استخدامه لمقارنة أداة بأداة أخرى وكتقييم عملي للتعرض للاهتزاز عند استخدام الأداة في التطبيقات الموصحة:
- قد يؤدي استخدام الأداة في تطبيقات مختلفة أو مع ملحقات مختلفة أو ذات صيانة رديئة إلى زيادة مستوى التعرض بصورة كبيرة؛
- إن الفترة الزمنية التي يتم خلالها إيقاف تشغيل الأداة أو عندما تكون قيد التشغيل لكنها لا تؤدي أية مهام، تؤدي إلى تقليل مستوى التعرض بصورة كبيرة؛
- ! قم بحماية نفسك من التأثيرات الاهتزاز من خلال صيانة الأداة وملحقاتها.
- والحفاظ على يديك دافنتين وتنظيم أعطاك العمل لديك:



٤٢٨٥

آره عمودبر

مقدمه

- این ابزار برای ایجاد برش و بریدن قطعاتی از چوب، پلاستیک، فلز طراحی شده و برای اجرای برش های صاف و منحنی با زوایای فارسی بر تا ۴۵ درجه هم مناسب است
- این ابزار برای مصارف حرفه ای مناسب نیست
- لطفاً این دفترچه راهنما را مطالعه کرده و نگهدارید ۳

اطلاعات فنی ①

اجزای ابزار ②

- A کلید روشن خاموش
- B ضامن قفل کننده
- C شماره‌های تهبویه
- D محل نگهداری آچار آلن

ایمنی

راهنمای ایمنی عمومی

⚠ هشدار! همه دستورات ایمنی و راهنمایی‌ها را بخوانید. اشتباهات ناشی از عدم رعایت این دستورات ایمنی ممکن است باعث برق‌گرفتگی، سوختگی و یا سایر جراحات‌های شدید شود. همه هشدارهای ایمنی و راهنمایی‌ها را برای آینده خوب نگهداری کنید. هرچا در این راهنما از «ابزار الکتریکی» صحبت میشود، منظور ابزارهای الکتریکی (باسیم برق) و یا ابزارهای الکتریکی باتری دار (بدون سیم برق) می باشد.

۱) ایمنی محل کار

۱) محل کار خود را تمیز، مرتب و مجهز به نور کافی نگهدارید. محیط کار نامرتب و کم نور میتواند باعث سوانح کاری شود.

ب) با ابزار الکتریکی در محیط‌هایی که در آن خطر انفجار وجود داشته و حاوی مایعات، گازها و غبارهای محترقه باشد، کار نکنید. ابزارهای الکتریکی جرقه‌های ایجاد می کنند که می توانند باعث آتش گرفتن گرد و بخارهای موجود در هوا شوند.

ت) هنگام کار با ابزار الکتریکی، کودکان و سایر افراد را از دستگاه دور نگهدارید. در صورتیکه حواس شما پرت شود، ممکن است کنترل دستگاه از دست شما خارج شود.

۲) ایمنی الکتریکی

۱) دوشاخه ابزار الکتریکی باید با پریز برق تناسب داشته باشد. هیچ‌گونه تغییری در دوشاخه ندهید. مبدل دوشاخه نباید همراه با ابزار الکتریکی دارای

اتصال به زمین (ارت شده) استفاده شود. مبدل دوشاخه نباید همراه با ابزار الکتریکی دارای اتصال به زمین (ارت شده) استفاده شود.

ب) از تماس بدنی با قطعات دارای سیم اتصال به زمین (ارت شده) مانند لوله، شوفاژ، اجاق برقی و یخچال خود داری کنید. در صورتیکه بدن شما با سیم دارای اتصال به زمین (ارت شده) تماس پیدا کند، خطر برق‌گرفتگی بیشتر خواهد شد.

ت) دستگاه را از باران و رطوبت دور نگهدارید. نفوذ آب به ابزار الکتریکی، خطر شوک الکتریکی را افزایش می دهد.

ث) از سیم به درستی استفاده کنید. از سیم دستگاه برای کارهایی چون حمل ابزار الکتریکی، ابزاران کردن آن یا خارج کردن دوشاخه از برق استفاده نکنید. دستگاه را در مقابل حرارت، روغن، لبه های تیز و بخش های متحرک دستگاه دور نگهدارید. کابل های آسیب دیده و یا گره خورده خطر شوک الکتریکی را افزایش می دهند.

ج) در صورتیکه با ابزار الکتریکی در محیط باز کار می کنید، تنها از کابل را بطی استفاده کنید که برای محیط باز نیز مناسب باشد. کابل های رابط مناسب برای محیط باز، خطر برق‌گرفتگی را کم می کنند.

ح) در صورت لزوم کار با ابزار الکتریکی در محیط و اماکن مرطوب، در اینصورت باید از یک کلید حفاظتی جریان خطا و نشتی زمین (کلید قطع کننده اتصال با زمین) استفاده کنید. استفاده از کلید حفاظتی جریان خطا و نشتی زمین خطر برق‌گرفتگی را کمتر می کند.

۳) رعایت ایمنی اشخاص

۱) حواس خود را خوب جمع کنید، به کار خود دقت کنید و با فکر و هوش کامل با ابزار الکتریکی کار کنید. در صورت خستگی و یا در صورتیکه مواد مخدر، الکل و دارو استفاده کرده اید، با ابزار الکتریکی کار نکنید. یک خطه بی توجهی هنگام کار با ابزار الکتریکی، میتواند جراحات‌های شدیدی به همراه داشته باشد.

ب) همواره از تجهیزات ایمنی شخصی استفاده کنید. همواره از عینک ایمنی استفاده کنید. استفاده از تجهیزات ایمنی مانند ماسک ایمنی، کفش های ایمنی ضد لغزش، کلاه ایمنی و گوشی ایمنی مناسب با نوع کار با ابزار الکتریکی، خطر مجروح شدن را تقلیل می دهد.

ت) مواظب باشید که ابزار الکتریکی بطور ناخواسته بکار نیفتد. قبل از وارد کردن دوشاخه دستگاه در پریز برق، اتصال آن به باتری، برداشتن آن و یا حمل دستگاه، باید دقت کنید که ابزار الکتریکی خاموش باشد. در صورتیکه هنگام حمل دستگاه انگشت شما روی دکمه قطع و وصل باشد و یا دستگاه را در حالت روشن به برق نزنید، ممکن است سوانح کاری پیش آید.

ث) قبل از روشن کردن ابزار الکتریکی، باید همه ابزارهای تنظیم کننده و آچارها را از روی دستگاه بردارید. ابزار آچارهایی که روی بخش های چرخنده دستگاه قرار دارند، می توانند باعث جراحات شوند.

ج) بیش از حد به آنها نزدیک نشوید. برای کار جای مطمئن برای خود انتخاب کرده و تعادل خود را همواره حفظ کنید. به این ترتیب می توانید ابزار الکتریکی را در وضعیت ایمن غیر منتظره بهتر تحت کنترل داشته باشید.

ح) لباس مناسب بپوشید. از پوشیدن لباس های فراخ و حمل زینت آلات خود داری کنید. موها، لباس و دستکش‌ها را از بخش های درحال چرخش دستگاه دور نگهدارید. لباس های فراخ، موی بلند و زینت آلات ممکن است در قسمت های درحال چرخش دستگاه گیر کنند.

خ) در صورتیکه می توانید وسایل مکش گرد و غبار و یا وسیله جذب زائده را به دستگاه نصب کنید، باید مطمئن شوید که این وسایل نصب و درست استفاده می شوند. استفاده از وسایل مکش گرد و غبار مصونیت شما را در برابر گرد و غبار زیاد تر می کند.

۴) استفاده صحیح از ابزار الکتریکی و مراقبت از آن
۱) از وارد کردن فشار زیاد روی دستگاه خود داری کنید. برای هر کاری، از ابزار الکتریکی مناسب با آن استفاده کنید. بکار گرفتن ابزار الکتریکی مناسب باعث می شود که بتوانید از توان دستگاه بهتر و با اطمینان بیشتر استفاده کنید.

ب) در صورت نیاز در کلید قطع و وصل ابزار برقی، از دستگاه استفاده نکنید. ابزار الکتریکی که نمی توان آنها را قطع و وصل کرد، خطرناک بوده و باید تعمیر شوند.

ت) قبل از تنظیم ابزار الکتریکی، تعویض متعلقات و یا کنار گذاشتن آن، دوشاخه را از برق کشیده و یا باتری آنرا خارج کنید. رعایت این اقدامات پیشگیری ایمنی از وارد افتادن ناخواسته ابزار الکتریکی جلوگیری می کند.

ث) ابزار الکتریکی را در صورت عدم استفاده، از دسترس کودکان دور نگهدارید. اجازه ندهید که افراد تا وارد و یا اشخاصی که این دفترچه راهنما را نخوانده اند، با این دستگاه کار کنند. قرار گرفتن ابزار الکتریکی در دست افراد ناوارد و بی تجربه خطرناک است.

أمان الأشخاص

- لا تعمل باستخدام مواد تشتمل على الأسبستوس (يعتبر الأسبستوس مادة مسرطنة)؛
- لا يجب استخدام هذه الأداة من قبل الأشخاص الأقل من 16 عام؛
- قد يزيد مستوى الضوضاء أثناء العمل عن 85 ديسيبل (أ). لذا قم بارتداء واقيات للذنن
- ارتد نظارات واقية عند العمل باستخدام مواد يتخلف عنها قرائن نشارة؛
- الغبار الناتج من المواد كالطلاء الذي يحتوي على رصاص وبعض أنواع الأخشاب والمعادن والمكونات المعدنية قد يكون ضاراً (ملاصقة أو استنشاق الغبار قد تتسبب في إصابة المشغل أو من يجاوره بأمراض الحساسية و/أو أمراض الجهاز التنفسي)؛
- قم بارتداء قناع للغبار مع العمل باستخدام جهاز شفط للغبار، طالما أمكن توصيله
- ثمة أنواع معينة من الغبار تُصنّف على أنها مواد مسببة للسرطان (مثل غبار خشب اللبوط والزنان) خاصة عند استخدامها مع مواد مضافة معالجة الخشب؛
- قم بارتداء قناع للغبار مع العمل باستخدام جهاز شفط للغبار، طالما أمكن توصيله
- التزم بالمتطلبات الوطنية الخاصة بالغبار عند العمل باستخدام المواد المطلوبة
- احرص دائماً على فصل القابس من مصدر الطاقة قبل القيام بأية عمليات ضبط أو تغيير أية ملحقات؛

توصيات الاستخدام

- استخدم اتصال المنشار الملائمة (Ⓜ)؛
- تقبل الأداة سنون الساق التي على شكل حرف T وحرف U للتاحة الأكثر شيوعاً (Ⓜ)؛
- عند قطع المعادن، قم بتزليق نصل المنشار بانتظام بالزيت؛
- للحصول على قطع مستقيم دقيق، وجه المنشار مع المنصة على امتداد حافة قطعة خشب مستقيمة (Ⓜ)؛
- قم بعمل ثقب خضيري لفتحة قبل القيام بعمل قطعوات (Ⓜ)؛
- قطع بدون تشطبي
- قم بتغطية خط القطع بعدة طبقات من شريط عرض قبل القيام بعملية القطع؛
- قم دائماً بتوجيه الجانب الجيد من قطعة العمل إلى أسفل؛
- لمزيد من النصائح زر موقعنا www.skil.com

قبل الاستخدام

- تحقق من وظيفة الأداة قبل كل استخدام، وفي حالة وجود عطل، فقم على الفور بإصلاحها على يد أحد المهنيين ويحظر نهائياً فتح الأداة بنفسك؛
- قبل بدء القطع قم بإزالة جميع العوائق التي توجد أعلى وأسفل مسار القطع
- تجنب التلف الذي قد تتسبب فيه البراغي والسامير والعناصر الأخرى الموجودة في القطعة التي تعمل بها، قم بفكهم قبل بدء العمل؛
- ثبت قطعة العمل الإمساك بقطعة عمل مثبتة بأجهزة تثبيت أو في ملزمة أكثر أمناً من مسكها باليد؛

أثناء الاستخدام

- إمساك بالأداة الكهربائية بواسطة أسطح إمساك معزولة وذلك عند القيام بأعمال قد تتعرض لمخاطر القطع من خلالها إلى التلامس مع أسلاك غير ظاهرة أو مع السلك الخاص بها (تلاص ملحقات القطع مع سلك متصل بالكهرباء) سيؤدي إلى «وصول التيار الكهربائي» إلى الأجزاء المعدنية المكتشفة وقد يعرض المشغل لصدمة كهربائية)
- حافظ دائماً على بقاء السلك بعيداً عن الأجزاء المتحركة بالأداة، ووجه السلك للخلف بعيداً عن الأداة؛
- في حالة حدوث خلل كهربائي أو ميكانيكي، أوقف تشغيل الأداة فوراً وافصل القابس؛
- ابعد يدك عن نصل المنشار أثناء استخدام الأداة؛

المخاطر

- تضمن SKIL التشغيل السليم للأداة فقط عند استخدام الملحقات الأصلية؛
- لا تستخدم نصل منشار يحتوي على شقوق أو معوج أو غير حاد؛
- الاستخدام في مناطق مفتوحة
- عند استخدام الأداة في مناطق مفتوحة، قم بتوصيل الأداة عبر قاطع تيار دائرة القصر (FI) باستخدام تيار بدء الإنشغال مقداره 30 مللي أمبير بحد أقصى، ولا تستخدم إلا سلك التمييز المخصص للاستخدام في المناطق المفتوحة والتردد بمقيس وصل مقاوم للرنين؛

بعد الاستخدام

- عندما تضع الأداة جانباً، أوقف تشغيل المحرك وتأكد من توقف جميع الأجزاء المتحركة بشكل تام

الاستخدام

- التشغيل/إيقاف التشغيل (Ⓐ)
- تأمين الفتحة للاستخدام للتواصل (Ⓓ)
- تغيير اتصال المنشار (Ⓜ)
- قم بإدخال النصل بالعمق الكامل بحيث تكون السنون موجهة للأمام (Ⓜ)؛
- النشر بزاوية 10/30/45 درجة (Ⓐ)
- شفط الغبار (Ⓐ)
- ! لا تستخدم المكنتسة الكهربائية عند قطع المعادن؛
- نفض الغبار (Ⓐ)

تشغيل الأداة

- قبل تشغيل المنشار، تأكد من أن الطرف الأمامي للمنصة يستند على نحو مستو على قطعة العمل؛
- احكم الأداة بالأداة بكلتا يديك، بحث تتمكن من التحكم في الأداة تماماً طوال الوقت؛
- ! أثناء العمل، امسك الأداة دائماً من منطقة (مناطق) المقبض رمادية اللون (Ⓜ)؛
- تأكد من استثناء سطح المنصة بالكامل على قطعة العمل بإحكام؛
- ! تأكد من توقف حركة الشفرة تماماً قبل رفع الأداة عن قطعة العمل
- احرص على أن تكون فتحات التهوية C (Ⓕ) غير مغطاة؛

توصيات الاستخدام

- استخدم اتصال المنشار الملائمة (Ⓜ)؛
- ! تقبل الأداة سنون الساق التي على شكل حرف T وحرف U للتاحة الأكثر شيوعاً (Ⓜ)؛
- عند قطع المعادن، قم بتزليق نصل المنشار بانتظام بالزيت؛
- للحصول على قطع مستقيم دقيق، وجه المنشار مع المنصة على امتداد حافة قطعة خشب مستقيمة (Ⓜ)؛
- قم بعمل ثقب خضيري لفتحة قبل القيام بعمل قطعوات (Ⓜ)؛
- قطع بدون تشطبي
- قم بتغطية خط القطع بعدة طبقات من شريط عرض قبل القيام بعملية القطع؛
- قم دائماً بتوجيه الجانب الجيد من قطعة العمل إلى أسفل؛
- لمزيد من النصائح زر موقعنا www.skil.com

الصيانة / الخدمة

- لم يتم تصميم هذه الأداة للاستخدام الاحترافي؛
- احرص دائماً على نظافة الأداة والسلك (وخصوصاً فتحات التهوية C (Ⓕ)؛
- ! أفضل القابس قبل التنظيف
- إذا تعذر تشغيل الأداة على الرغم من الحذر الشديد في إجراءات التصنيع والاختبار، فيجب القيام بالإصلاحات بواسطة مركز خدمة ما بعد البيع لأدوات الطاقة التابع لشركة SKIL؛
- قم بإرسال الأداة دون تفكيكها بالإضافة إلى إثبات الشراء إلى البائع أو أقرب محطة خدمة SKIL/العملاء بالإضافة إلى مخطط الخدمة متاح على www.skil.com

البيئة المحيطة

- لا تتخلص من الأدوات الكهربائية والملحقات ومواد التغليف مع النفايات المنزلية (للدول الاتحاد الأوروبي فقط)؛
- وفقاً للتوجيه الأوروبي 2012/19/EC حول نفايات المعدات الكهربائية والإلكترونية وتطبيقه بالتوافق مع القانون المحلي، يجب جمع الأدوات الكهربائية منتهية الصلاحية بشكل منفصل وإرسالها إلى أحد منشآت إعادة التصنيع المتوافقة مع البيئة؛
- سيذكرك الرمز (Ⓜ) بهذا عند الحاجة إلى التخلص من أية أداة؛

إعلان توافق CE

- منشار قطع النماذج ٤٢٨٥
- البيانات الفنية (1)
- نحن نقر على مسئوليتنا الخاصة أن المنتج الموضح في «البيانات الفنية» يتوافق مع المعايير أو المستندات المعيارية التالية EN 10٠٠٠ : EN ١١٠٠٠ و EN ٥٥٠١٤ EN بالتوافق مع شروط التوجيهات 2014/٣٠/UE و 2014/٤٢/UE و 2011/65/UE
- الملف الفني على: 4825 BD Breda, NL (PT-SEU/ENG), SKIL Europe BV

Marijn van der Hoofden
Operations & Engineering

Olaf Dijkstra
Approval Manager

SKIL Europe BV, 4825 BD Breda, NL

02.02.2015

مقدمة

- تم تصميم هذا المنشأر لعمل قطع نافذة على شكل شرائح أو قسوع منفصلة بالأخشاب والبلاستيك والمعادن. كما يعد ملائماً لعمل قطوعات مستقيمة ومنحنية براويا مفصلة قدرها ٤٥ درجة؛
- لم يتم تصميم هذه الأداة للاستخدام الاحترافي؛
- أقرأ دليل التعليمات هذا واحتفظ به ①

البيانات الفنية ①

مكونات الأداة ②

- A مفتاح للتشغيل/الإيقاف
- B زر لفتح المفتاح
- C فتحات التهوية
- D موضع تخزين المفتاح المسدود

أمان

تعليمات السلامة العامة

⚠ **تحذير!** أقرأ جميع الملاحظات التحذيرية والتعليمات إن ارتكبت الأخطاء عند تطبيق الملاحظات التحذيرية والتعليمات قد يؤدي إلى الصدمات الكهربائية، إلى نشوب الحرائق أو الإصابة بجروح خطيرة. احتفظ بجميع الملاحظات التحذيرية والتعليمات للمستقبل. يقصد بمصطلح «العدة الكهربائية» المستخدم في الملاحظات التحذيرية، العدة الكهربائية الموصولة بالشبكة الكهربائية بواسطة كابل الشبكة (الكهربائية) وأيضاً العدة الكهربائية المزودة بطارية (دون كابل الشبكة الكهربائية).

① الأمان مكان الشغل

- ① حافظ على نظافة وحسن إضاءة مكان شغلك الفوضوية في مكان الشغل ومجالات العمل الغير مضادة قد تؤدي إلى حدوث الحوادث.
- ② لا تشغل بالعدة الكهربائية في محيط معرض خطر الانفجار والذي تتوفر فيه السوائل والغازات أو الأغيرة القابلة للاشتعال العدة الكهربائية نشكل البشر الذي قد يتطاير، فيشعل الأغيرة والأخيرة.
- ③ حافظ على بقاء الأطفال وغيرهم من الأشخاص على بعد عندما تستعمل العدة الكهربائية. قد تفقد السيطرة على الجهاز عند التلهي.

② الأمان الكهربائي

- ① يجب أن يتلاءم قابس وصل العدة الكهربائية مع المقبس. لا يجوز تغيير القابس بأي حال من الأحوال. لا تستعمل القوابس الهابئة مع العدة الكهربائية المؤرضة تأريض وقتي. تخفض القوابس التي لم يتم تغييرها والمقابس الملائمة من خطر الصدمات الكهربائية.
- ② تجنب ملامسة السطوح المؤرضة كالألوانيا وراياتورات التدفئة والمدافئ أو البرادات بواسطة جسمك. يزداد خطر الصدمات الكهربائية عندما يكون جسمك مروض.

- ③ أبعاد العدة الكهربائية عن الأظفار أو الرطوبة. يزداد خطر الصدمات الكهربائية إن تسرب الماء إلى داخل العدة الكهربائية.
- ④ يجب عدم إساءة استخدام الكابل. لا تسيء استعمال الكابل لحمل العدة الكهربائية أو تعليقها أو لسحب القابس من المقبس. حافظ على إبعاد الكابل عن الحرارة والزيت والحواف الحادة أو عن أجزاء الجهاز المتحركة. تزيد الكابلات الثالثة أو المتشابكة من خطر الصدمات الكهربائية.
- ⑤ استخدم فقط كابلات التمديد الصالحة للاستعمال الخارجي أيضاً عندما تشغل بالعدة الكهربائية في الغلاء. يخفض استعمال كابل تمديد مخصص للاستعمال الخارجي من خطر الصدمات الكهربائية.
- ⑥ إن لم يكن بالإمكان عدم تشغيل العدة الكهربائية في الأجواء الرطبة، فاستخدم مفتاح لوقاية من التيار المتردد. إن استخدام مفتاح لوقاية من التيار المتردد يقلل خطر الصدمات الكهربائية.
- ⑦ أمان الأشخاص

① كن يقظاً وأنتبه إلى ما تفعله وقم بالعمل بواسطة العدة الكهربائية بتعقل.. لا تستخدم عدة كهربائية عندما تكون متعب أو عندما تكون تحت تأثير المخدرات أو الكحول أو الأدوية. عدم الإنتباه للحظة واحدة عند استخدام العدة الكهربائية قد يؤدي إلى إصابة خطيرة.

② ارتد عتاد الوقاية الخاص، وارتد دائماً نظارات واقية. يجب إرتداء عتاد الوقاية الخاص. كفتاح الوقاية من الغبار وأحذية الأمان الواقية من الإرتزاق والحذو واقية الأذن. حسب نوع وإستعمال العدة الكهربائية، من خطر الإصابة بجروح.

③ تجنب التواجد بشكل غير مقصود. تأكد من كون العدة الكهربائية مطفاة قبل وصلها بإمداد التيار الكهربائي، أو بالتركم، وقبل رفعها أو حملها. إن كنت تضع إصبعك على المفتاح أثناء حمل العدة الكهربائية أو إن وصلت الجهاز بالشبكة الكهربائية عندما يكون قيد التشغيل، فقد يؤدي ذلك إلى حدوث الحوادث.

④ انزع عدد الضبط أو مفتاح الربط قبل تشغيل العدة الكهربائية. قد تؤدي العدة أو المفتاح المتواجد في جزء دوار من الجهاز إلى الإصابة بجروح.

⑤ تجنب أوضاع الجسم غير الطبيعية، قف بأمان وحافظ على توازنك دائماً. سيسمح لك ذلك من السيطرة على الجهاز بشكل أفضل في المواقف غير المتوقعة.

⑥ ارتد ملابس مناسبة. لا ترتدي الثياب الفضفاضة أو الخلي. حافظ على إبقاء الشعر والثياب والقفازات على بعد عن أجزاء الجهاز المتحركة. قد تشنابك الثياب الفضفاضة والخلي والشعر الطويل بالأجزاء المتحركة.

⑦ إن جاز تركيب جهاز شفط وجميع الغبار، فتأكد من أنها موصولة وبأنه يتم استخدامها بشكل سليم. قد يقلل استخدام تجهيزات لشفط الأغيرة من المخاطر الناتجة عن الأغيرة.

⑧ حسن معاملة واستخدام العدة الكهربائية

① لا تفرط في تحميل الجهاز. إستخدم لتنفيذ أشغالك العدة الكهربائية المخصصة لذلك. إنك تعمل بشكل أفضل وأكثر أماناً بواسطة العدة الكهربائية الملائمة في مجال الأداء المذكور.

② لا تستخدم العدة الكهربائية إن كان مفتاح تشغيلها تالف. العدة الكهربائية التي لم تعد تسمح بتشغيلها أو بإطافئها خطيرة ويجب أن يتم تصليحها.

③ اسحب المقابس من المقبس و / أو انزع التركم قبل ضبط الجهاز وقبل إستبدال التوابع أو قبل وضع الجهاز جانباً. تمنع إجراءات الاحتياط هذه تشغيل العدة الكهربائية بشكل غير مقصود.

④ احتفظ بالعدة الكهربائية التي لا يتم إستخدامها بعيداً عن متال الأطفال. لا تسمح باستخدام العدة الكهربائية لمن لا خبرة له بها أو لمن لم يقرأ تلك التعليمات. العدة الكهربائية خطيرة إن تم استخدامها من قبل أشخاص دون خبرة.

⑤ اعتن بالعدة الكهربائية بشكل جيد. تفحص عما إذا كانت أجزاء الجهاز المتحركة تعمل بشكل سليم وبأنها غير مستعصبة عن الحركة أو إن كانت هناك أجزاء مكسورة أو تالفة لدرجة تؤثر فيها على حسن أداء العدة الكهربائية. ينبغي تصليح هذه الأجزاء التالفة قبل إعادة تشغيل الجهاز. الكثير من الحوادث مصدرها العدة الكهربائية التي تم صيانتها بشكل ردي.

⑥ حافظ على إبقاء عدد القطع نظيفة وحادة. إن عدد القطع ذات حواف القطع الحادة التي تم صيانتها بعناية تنكش بشكل أقل ويمكن تجميعها بشكل أيسر.

⑦ استخدم العدة الكهربائية والنواع وعقد الشغل وإلخ حسب هذه التعليمات تراسي أثناء ذلك شروط الشغل والعمل المراد تنفيذها. استخدام العدة الكهربائية لغير الأغشغال المخصصة لأجلها قد يؤدي إلى حدوث الحالات الخطيرة.

⑧ الخدمة

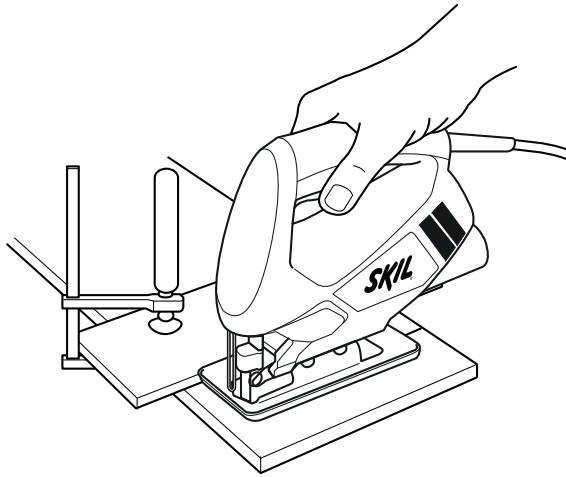
① اسمح بتصليح عدتك الكهربائية فقط من قبل المتخصصين فقط وباستعمال قطع الغيار الأصلية. يؤمن ذلك المحافظة على أمان الجهاز.

تعليمات السلامة الخاصة بمنشأر قطع النماذج

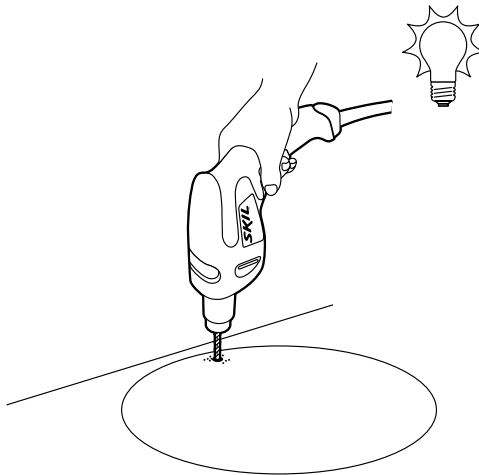
الأمان الكهربائي

- تأكد دائماً من أن الفولت المتردد هو نفسه المشار إليه على اللوحة الخاصة بالأداة.
- يحظر نهائيّاً استخدام الأداة في حالة تلف السلك. قم بل باستبداله من قبل أحد الأفراد المؤهلين.
- في حالة تعرض السلك للتلف أو لقطع أثناء العمل، لا تلمس السلك وافصل القابس فوراً.
- استخدم أسلاك تمديد مفكوة تماماً وآمنة سعة ١٦ أمبير (١٣ أمبير في بريطانيا العظمى).

١٣

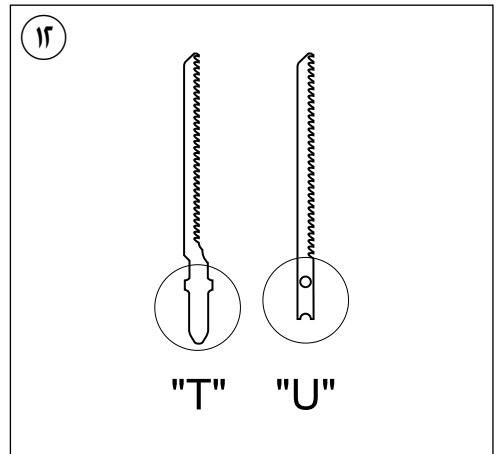
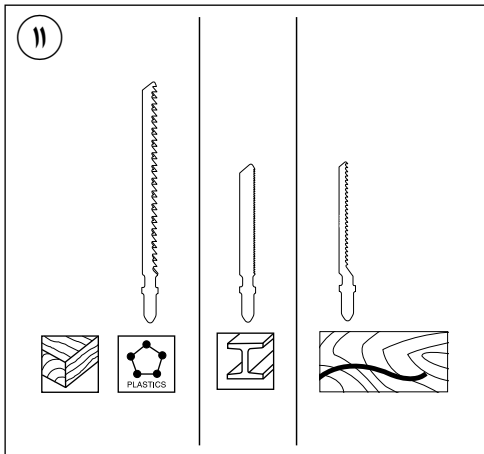
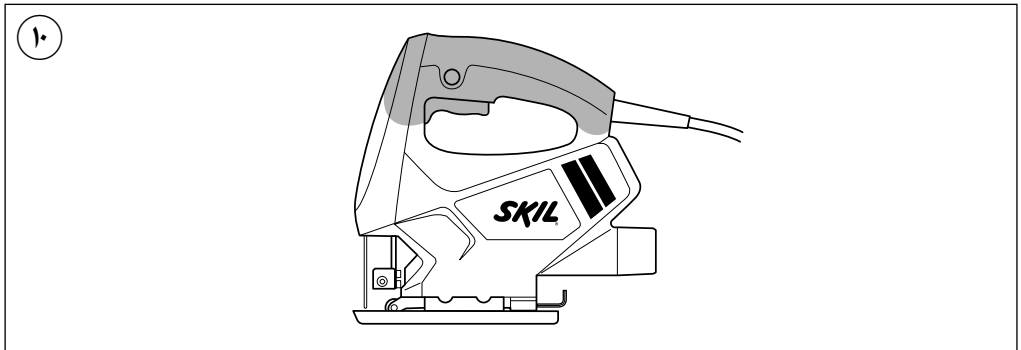
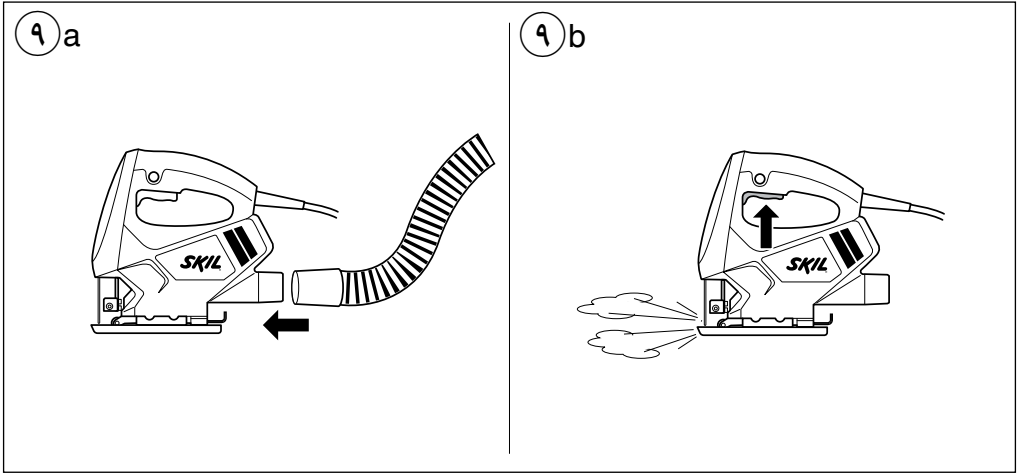


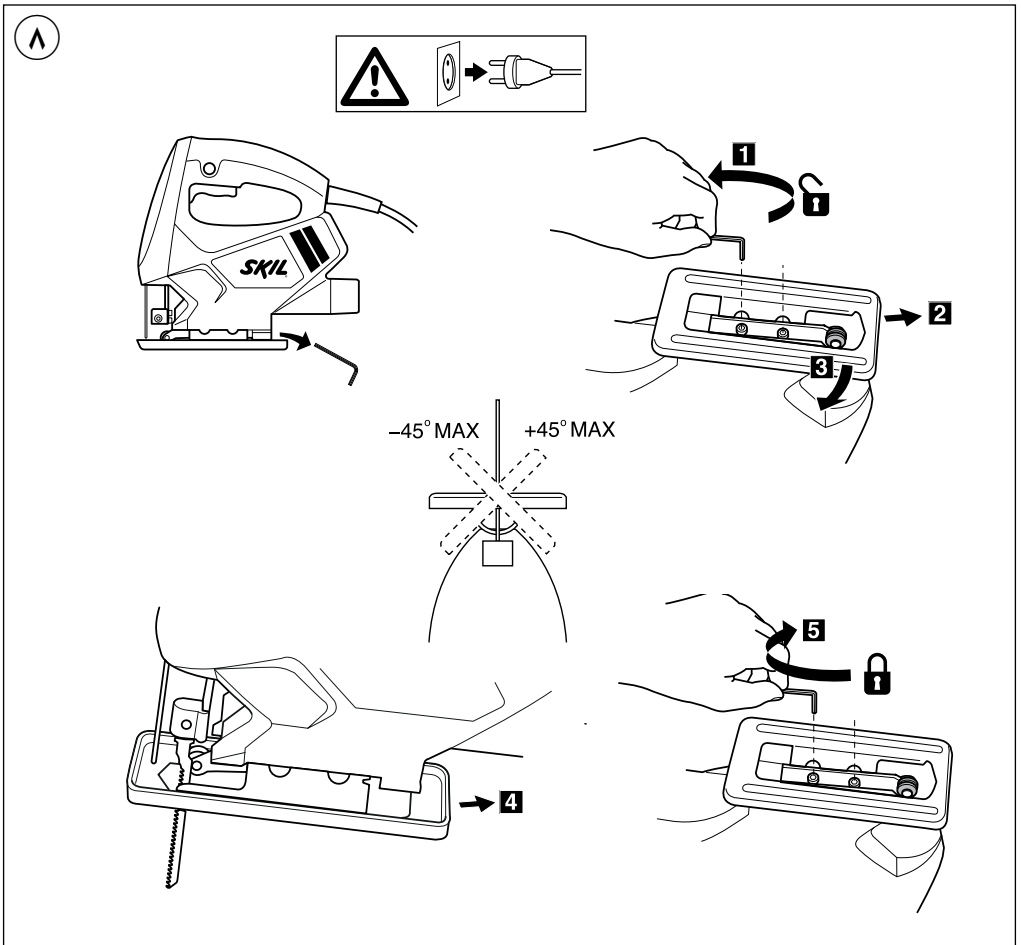
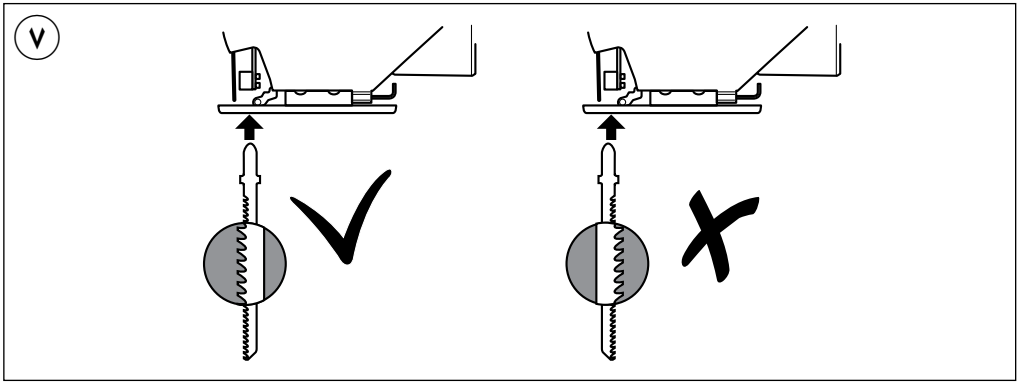
١٤

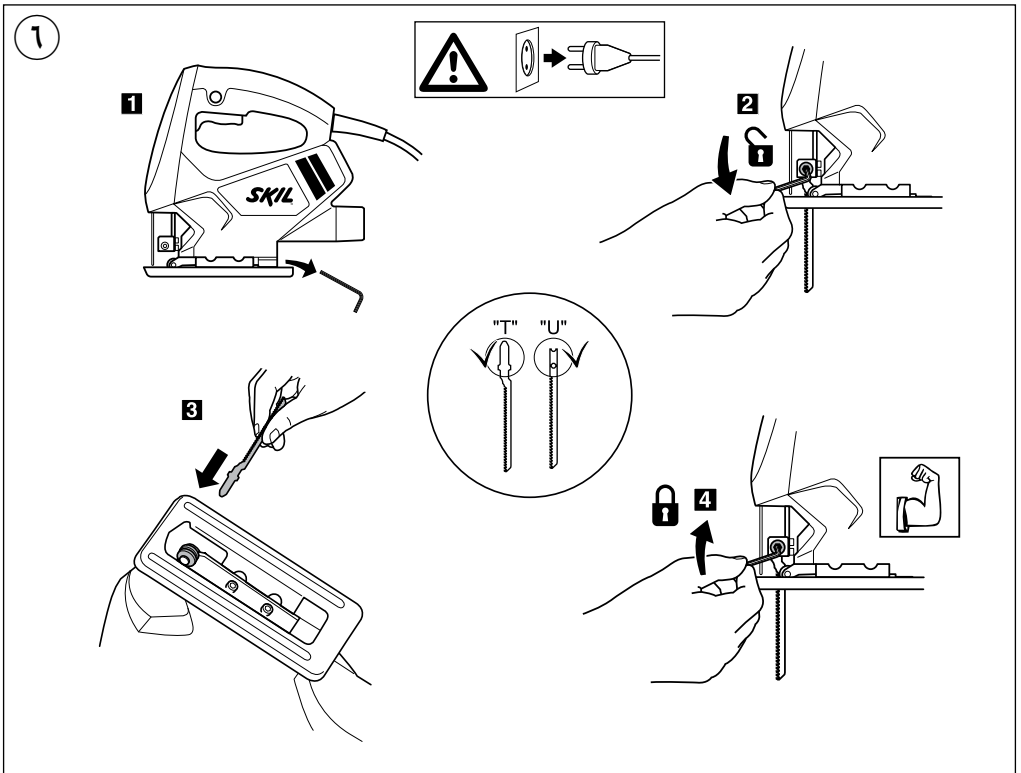
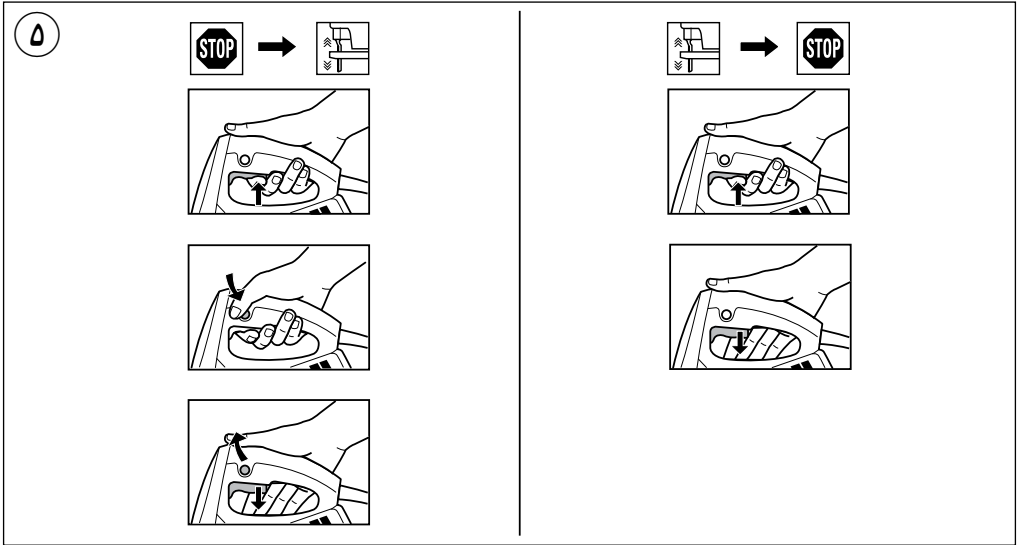


١٥



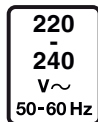
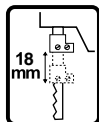
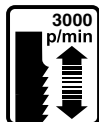
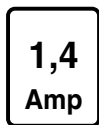




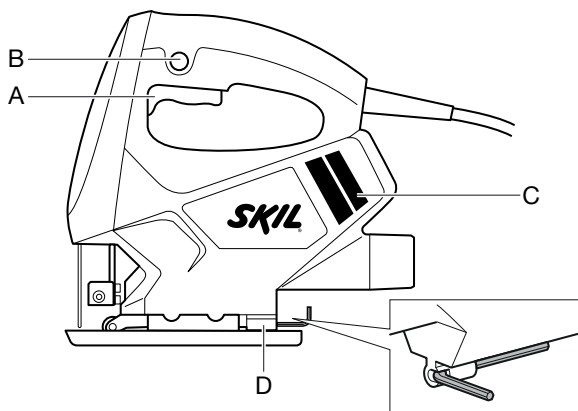


1

4285



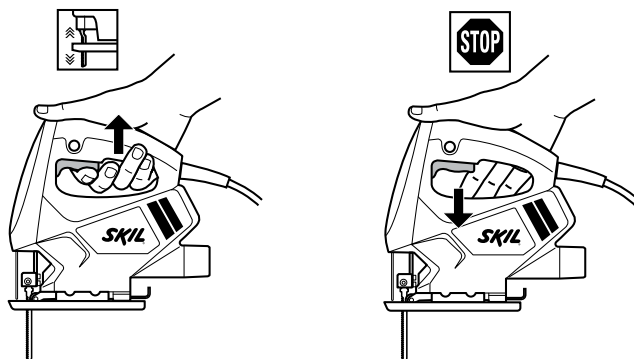
2



3



4



منشار قطع النماذج

4285

SKIL[®]



دليل الاستعمال

AR

راهنمای اصلی

FA

